



- (51) **International Patent Classification:**  
*G10K 11/30* (2006.01)    *A61B 8/00* (2006.01)
- (21) **International Application Number:**  
PCT/IB2010/052668
- (22) **International Filing Date:**  
15 June 2010 (15.06.2010)
- (25) **Filing Language:** English
- (26) **Publication Language:** English
- (30) **Priority Data:**  
61/218,520    19 June 2009 (19.06.2009)    US
- (71) **Applicant (for all designated States except US):** **KONINKLIJKE PHILIPS ELECTRONICS N.V.** [NL/NL]; Groenewoudseweg 1, NL-5621 BA Eindhoven (NL).
- (72) **Inventors; and**
- (75) **Inventors/Applicants (for US only):** **SHAHZAD, Khalid** [US/US]; c/o High Tech Campus Building 44, NL-5656 AE Eindhoven (NL). **ANAND, Ajay** [IN/US]; c/o High Tech Campus Building 44, NL-5656 AE Eindhoven (NL). **PETRUZZELLO, John** [US/US]; c/o High Tech Campus Building 44, NL-5656 AE Eindhoven (NL). **ZHOU, Shiwei** [CN/US]; c/o High Tech Campus Building 44, NL-5656 AE Eindhoven (NL). **SUIJVER, Jan, Frederik** [NL/NL]; c/o High Tech Campus Building 44, NL-5656 AE Eindhoven (NL).
- (74) **Agents:** **KROEZE, John** et al.; Philips Intellectual Property & Standards, P.O. Box 220, NL-5600 AE Eindhoven (NL).

- (81) **Designated States (unless otherwise indicated, for every kind of national protection available):** AE, AG, AL, AM, AO, AT, AU, AZ, BA, BB, BG, BH, BR, BW, BY, BZ, CA, CH, CL, CN, CO, CR, CU, CZ, DE, DK, DM, DO, DZ, EC, EE, EG, ES, FI, GB, GD, GE, GH, GM, GT, HN, HR, HU, ID, IL, IN, IS, JP, KE, KG, KM, KN, KP, KR, KZ, LA, LC, LK, LR, LS, LT, LU, LY, MA, MD, ME, MG, MK, MN, MW, MX, MY, MZ, NA, NG, NI, NO, NZ, OM, PE, PG, PH, PL, PT, RO, RS, RU, SC, SD, SE, SG, SK, SL, SM, ST, SV, SY, TH, TJ, TM, TN, TR, TT, TZ, UA, UG, US, UZ, VC, VN, ZA, ZM, ZW.
- (84) **Designated States (unless otherwise indicated, for every kind of regional protection available):** ARIPO (BW, GH, GM, KE, LR, LS, MW, MZ, NA, SD, SL, SZ, TZ, UG, ZM, ZW), Eurasian (AM, AZ, BY, KG, KZ, MD, RU, TJ, TM), European (AL, AT, BE, BG, CH, CY, CZ, DE, DK, EE, ES, FI, FR, GB, GR, HR, HU, IE, IS, IT, LT, LU, LV, MC, MK, MT, NL, NO, PL, PT, RO, SE, SI, SK, SM, TR), OAPI (BF, BJ, CF, CG, CI, CM, GA, GN, GQ, GW, ML, MR, NE, SN, TD, TG).

**Declarations under Rule 4.17:**

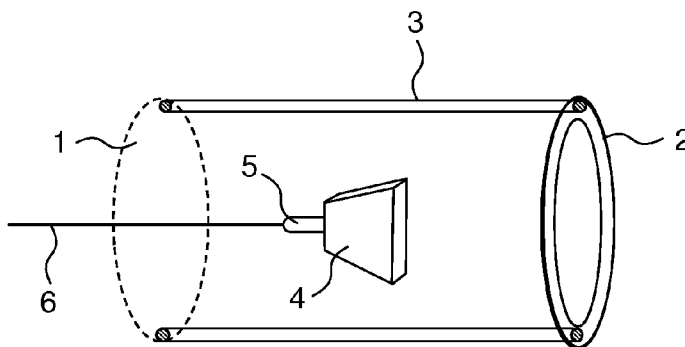
- as to applicant's entitlement to apply for and be granted a patent (Rule 4.17(ii))

**Published:**

- with international search report (Art. 21(3))
- before the expiration of the time limit for amending the claims and to be republished in the event of receipt of amendments (Rule 48.2(h))

- (88) **Date of publication of the international search report:**  
19 January 2012

(54) **Title:** IMAGING SYSTEM FOR IMAGING A VISCOELASTIC MEDIUM



**FIG. 1**

(57) **Abstract:** An imaging system for imaging a viscoelastic medium is disclosed. The imaging system comprises a variable refractive lens (4) and a transducer system (5) for generating acoustic radiation. The imaging system is operated to alternate between first and second operating modes. While the variable refractive lens is operated to alternate between a first configuration and a second configuration, the transducer is operated to alternate between generating acoustic radiation for displacing the viscoelastic medium and acoustic radiation for imaging the displacement of the viscoelastic medium. In embodiments the variable refractive lens is a fluid focus lens. Moreover, in embodiments, the imaging system is integrated with a catheter-based interaction modality, such as a tissue ablation modality.

WO 2010/146532 A3

INTERNATIONAL SEARCH REPORT

International application No  
PCT/IB2010/052668

A. CLASSIFICATION OF SUBJECT MATTER  
INV. G10K11/30 A61B8/00  
ADD.  
According to International Patent Classification (IPC) or to both national classification and IPC

B. FIELDS SEARCHED  
Minimum documentation searched (classification system followed by classification symbols)  
G10K A61N A61B G01S

Documentation searched other than minimum documentation to the extent that such documents are included in the fields searched

Electronic data base consulted during the international search (name of data base and, where practical, search terms used)  
EPO-Internal

C. DOCUMENTS CONSIDERED TO BE RELEVANT

| Category* | Citation of document, with indication, where appropriate, of the relevant passages  | Relevant to claim No. |
|-----------|---|-----------------------|
| X         | WO 2007/125500 A2 (KONINKL PHILIPS ELECTRONICS NV [NL]; HALL CHRISTOPHER S [US]; CHIN CHI)<br>8 November 2007 (2007-11-08)<br>page 7, line 13 - line 20<br>page 9, line 5 - line 13; figures 2,3<br>-----             | 1-10,12               |
| X         | WO 2008/084455 A1 (KONINKL PHILIPS ELECTRONICS NV [NL]; HENDIRKS BERNARDUS HENDRIKUS W [N]) 17 July 2008 (2008-07-17)<br>page 1, line 5 - line 22<br>page 5, line 12 - line 32<br>page 11, line 21 - line 23<br>----- | 1-12                  |
|           | -/--  |                       |

Further documents are listed in the continuation of Box C.

See patent family annex.

\* Special categories of cited documents :

|  |  |
|--|--|
| <p>"A" document defining the general state of the art which is not considered to be of particular relevance</p> <p>"E" earlier document but published on or after the international filing date</p> <p>"L" document which may throw doubts on priority claim(s) or which is cited to establish the publication date of another citation or other special reason (as specified)</p> <p>"O" document referring to an oral disclosure, use, exhibition or other means</p> <p>"P" document published prior to the international filing date but later than the priority date claimed</p> | <p>"T" later document published after the international filing date or priority date and not in conflict with the application but cited to understand the principle or theory underlying the invention</p> <p>"X" document of particular relevance; the claimed invention cannot be considered novel or cannot be considered to involve an inventive step when the document is taken alone</p> <p>"Y" document of particular relevance; the claimed invention cannot be considered to involve an inventive step when the document is combined with one or more other such documents, such combination being obvious to a person skilled in the art.</p> <p>"&amp;" document member of the same patent family</p> |
|--|--|

|   |  |
|---|--|
| Date of the actual completion of the international search<br><br>25 November 2011 | Date of mailing of the international search report<br><br>01/12/2011 |
|---|--|

|  |   |
|--|---|
| Name and mailing address of the ISA/<br>European Patent Office, P.B. 5818 Patentlaan 2<br>NL - 2280 HV Rijswijk<br>Tel. (+31-70) 340-2040,<br>Fax: (+31-70) 340-3016 | Authorized officer<br><br>Lorne, Benoît |
|--|---|

## INTERNATIONAL SEARCH REPORT

International application No  
PCT/IB2010/052668

| C(Continuation). DOCUMENTS CONSIDERED TO BE RELEVANT |  |                       |
|--|--|-----------------------|
| Category*  | Citation of document, with indication, where appropriate, of the relevant passages   | Relevant to claim No. |
| A  | WO 01/82778 A2 (FOCUS SURGERY INC [US]; SANGHVI NARENDRA T [US]; PHILLIPS MICHAEL H [U]) 8 November 2001 (2001-11-08)<br>page 1, line 24 - line 28<br>page 7, line 14 - line 32<br>----- | 13,14                 |
| A  | US 2008/189932 A1 (SLIWA JOHN W [US] ET AL) 14 August 2008 (2008-08-14)<br>paragraphs [0003], [0007], [0014], [0049], [0056], [0102], [0105]<br>-----                                    | 1-12                  |

# INTERNATIONAL SEARCH REPORT

Information on patent family members

International application No

PCT/IB2010/052668

| Patent document cited in search report | Publication date | Patent family member(s) | Publication date |            |
|--|------------------|-------------------------|------------------|------------|
| WO 2007125500                          | A2               | 08-11-2007              | EP 2018551 A2    | 28-01-2009 |
|  |                  |                         | JP 2009535146 A  | 01-10-2009 |
|  |                  |                         | KR 20090005104 A | 12-01-2009 |
|  |                  |                         | RU 2008147374 A  | 10-06-2010 |
|  |                  |                         | US 2009122639 A1 | 14-05-2009 |
|  |                  |                         | WO 2007125500 A2 | 08-11-2007 |
| -----                                  |                  |                         |                  |            |
| WO 2008084455                          | A1               | 17-07-2008              | CN 101578069 A   | 11-11-2009 |
|  |                  |                         | EP 2117437 A1    | 18-11-2009 |
|  |                  |                         | JP 2010515522 A  | 13-05-2010 |
|  |                  |                         | US 2010280390 A1 | 04-11-2010 |
|  |                  |                         | WO 2008084455 A1 | 17-07-2008 |
| -----                                  |                  |                         |                  |            |
| WO 0182778                             | A2               | 08-11-2001              | AU 5732801 A     | 12-11-2001 |
|  |                  |                         | WO 0182778 A2    | 08-11-2001 |
| -----                                  |                  |                         |                  |            |
| US 2008189932                          | A1               | 14-08-2008              | NONE             |            |
| -----                                  |                  |                         |                  |            |