



US00D604271S

(12) **United States Design Patent**
Lewis et al.

(10) **Patent No.:** **US D604,271 S**

(45) **Date of Patent:** **** Nov. 17, 2009**

(54) **CRADLE FOR WIRELESS REMOTE CONTROL DEVICE**

D534,489 S *	1/2007	Klein et al.	D13/108
D549,707 S *	8/2007	Depay	D14/434
D558,749 S *	1/2008	Furuno et al.	D14/253
D562,302 S *	2/2008	Franck et al.	D14/149

(75) Inventors: **Andrew Lewis**, Lee, NH (US); **Erik L. van Bergen**, Derry, NH (US)

* cited by examiner

(73) Assignee: **Russound/FMP, Inc.**, Newmarket, NH (US)

Primary Examiner—T. Chase Nelson
Assistant Examiner—John Windmuller

(**) Term: **14 Years**

(74) *Attorney, Agent, or Firm*—Weingarten, Schurgin, Gagnebin & Lebovici LLP

(21) Appl. No.: **29/291,573**

(57) **CLAIM**

(22) Filed: **Sep. 5, 2007**

The ornamental design for a cradle for wireless remote control device, as shown and described.

(51) **LOC (9) Cl.** **14-03**

(52) **U.S. Cl.** **D14/218**

(58) **Field of Classification Search** D14/218,
D14/455, 434, 454, 217, 149, 251, 253; D13/168,
D13/108; 455/92, 95, 128, 151.1–151.4,
455/352, 355, FOR. 121; 700/65; 345/169;
348/14.05, 114

DESCRIPTION

See application file for complete search history.

FIG. 1 is a perspective view of the cradle for wireless remote control device;

FIG. 2 is a right side view of the cradle for wireless remote control device;

FIG. 3 is a left side view of the cradle for wireless remote control device;

FIG. 4 is a top view of the cradle for wireless remote control device;

FIG. 5 is a bottom view of the cradle for wireless remote control device;

FIG. 6 is a front view of the cradle for wireless remote control device; and,

FIG. 7 is a back view of the cradle for wireless remote control device.

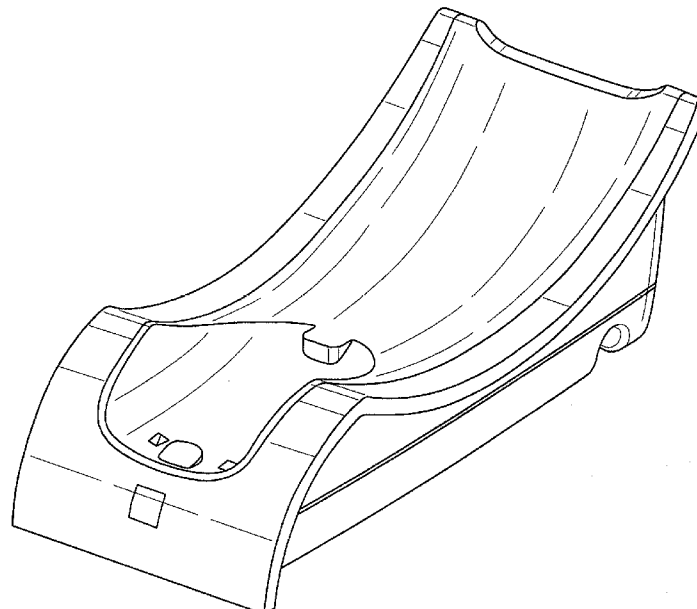
The broken lines in the figures depict portions of the cradle that form no part of the claimed design.

(56) **References Cited**

U.S. PATENT DOCUMENTS

D285,069 S *	8/1986	Tsukamoto et al.	D14/151
D316,411 S *	4/1991	Faliero	D14/147
D323,505 S *	1/1992	Faliero	D14/151
D331,759 S *	12/1992	Renard	D14/151
D360,723 S *	7/1995	Kasai et al.	D32/73
D362,004 S *	9/1995	Nakano et al.	D14/253
D368,479 S *	4/1996	Larson	D14/253
D377,015 S *	12/1996	Ford et al.	D14/149
D380,754 S *	7/1997	Constantine et al.	D14/150
D398,927 S *	9/1998	Read et al.	D14/149
D470,136 S *	2/2003	Chin	D14/253
D514,543 S *	2/2006	Himmel	D14/149
D530,273 S *	10/2006	Solland	D13/108

1 Claim, 3 Drawing Sheets



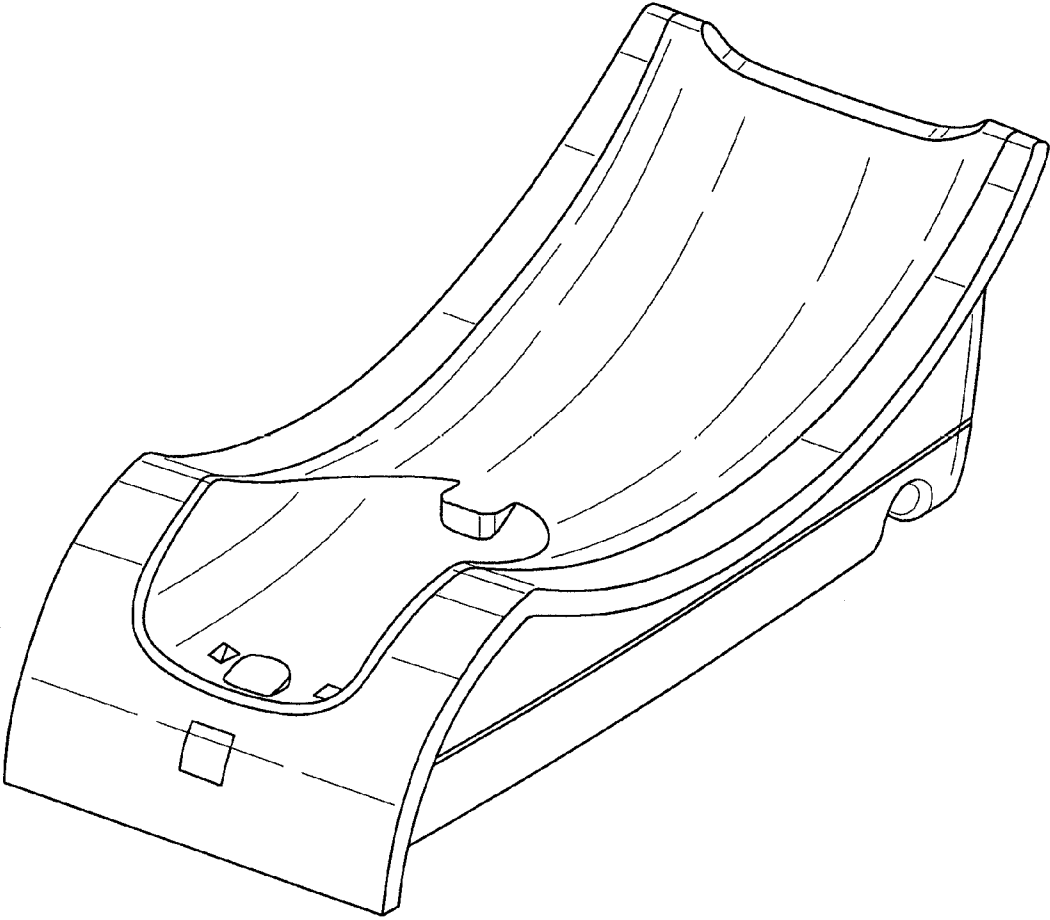


FIG. 1

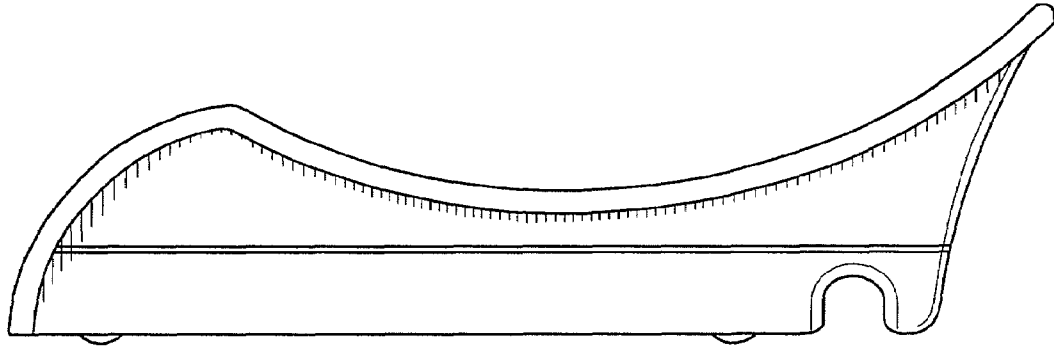


FIG. 2

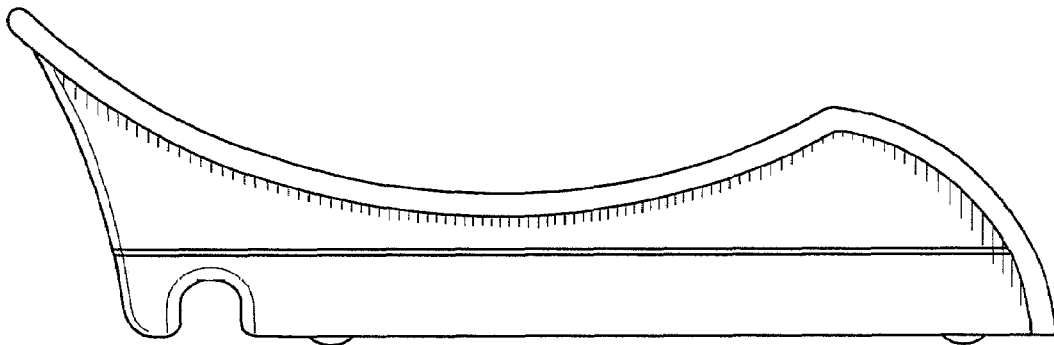


FIG. 3

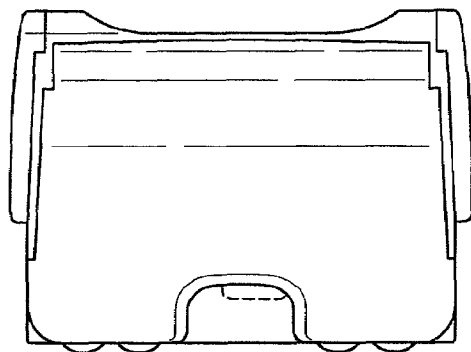


FIG. 4

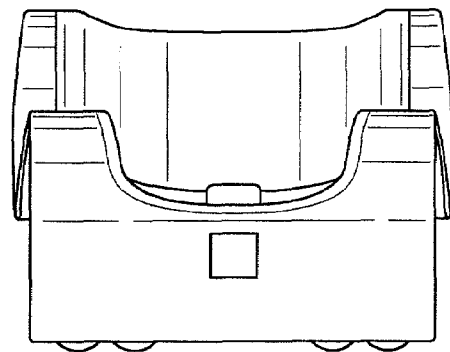


FIG. 5

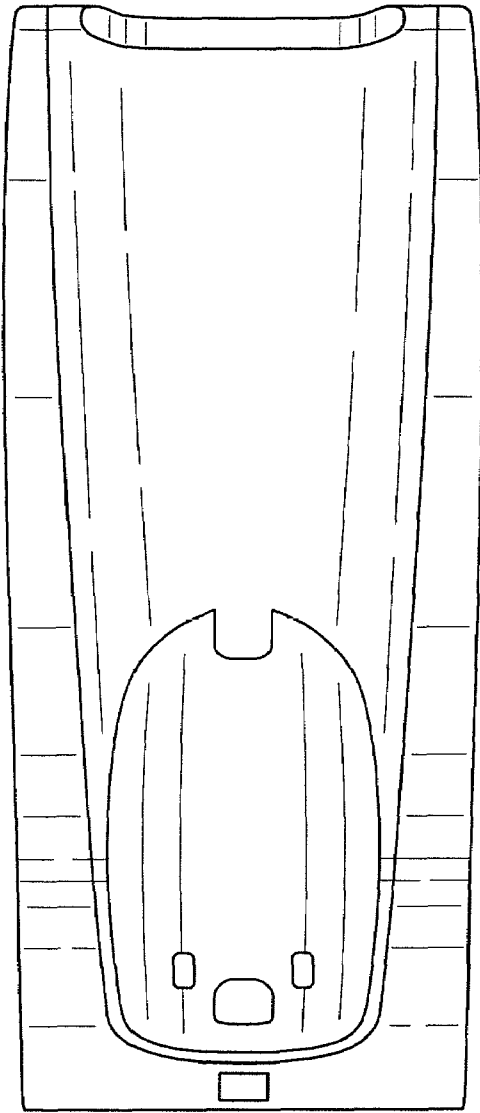


FIG. 6

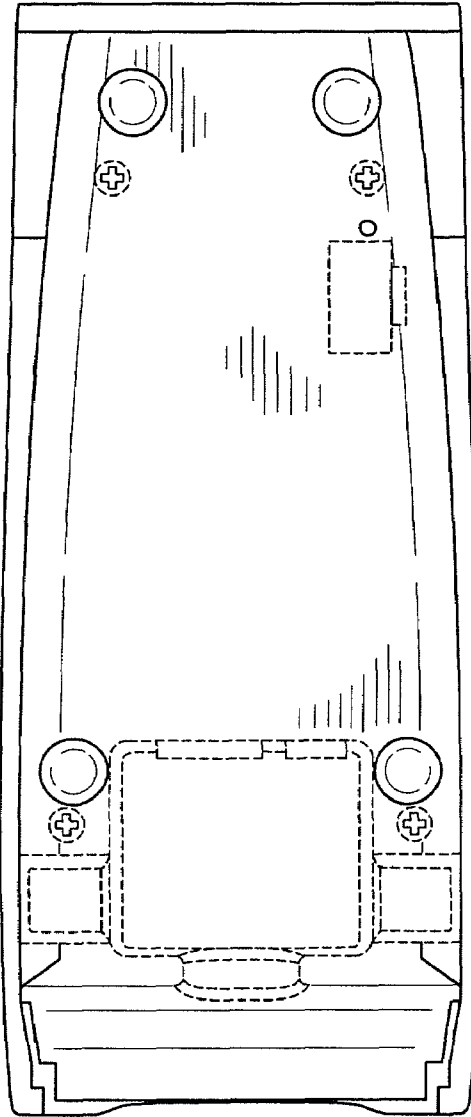


FIG. 7