



US00D766699S

(12) **United States Design Patent**
Vergin

(10) **Patent No.:** **US D766,699 S**

(45) **Date of Patent:** **** Sep. 20, 2016**

(54) **KNOB**

(71) Applicant: **Electrolux Home Products, Inc.**,
Charlotte, NC (US)

(72) Inventor: **Matthew Vergin**, St. Petersburg, FL
(US)

(73) Assignee: **Electrolux Home Products, Inc.**,
Charlotte, NC (US)

(**) Term: **15 Years**

(21) Appl. No.: **29/534,064**

(22) Filed: **Jul. 24, 2015**

(51) **LOC (10) Cl.** **08-06**

(52) **U.S. Cl.**
USPC **D8/311**

(58) **Field of Classification Search**
USPC D8/107, 300, 301, 307, 310, 311, 312;
D10/102; D23/250, 421; 74/553, 554,
74/555, 556, 558, 543; D7/393, 394, 396,
D7/543, 545, 547, 548; 16/110.1, 422,
16/426, 430, 443
CPC . Y10T 292/57; Y10T 292/82; Y10T 16/469;
Y10T 16/44; Y10T 16/476; Y10T 74/2084;
Y10T 292/85; Y10T 74/2087; Y10T 16/4713;
Y10T 16/506; Y10T 74/20876; Y10T
74/20612; Y10T 70/5765; Y10T 16/459;
Y10T 74/2066; Y10T 16/487; Y10T
74/20822

See application file for complete search history.

(56) **References Cited**

U.S. PATENT DOCUMENTS

D146,327 S 2/1947 Trombley
D198,028 S * 4/1964 Collins D8/311
D208,918 S * 10/1967 Dole D8/311
D225,204 S * 11/1972 Kendrick D8/311
4,869,086 A * 9/1989 Richards E05B 13/002
70/210
D371,486 S * 7/1996 Chan D7/393

D400,778 S * 11/1998 Holbrook, Jr. D8/311
D438,846 S * 3/2001 Bonn D13/174
D443,496 S * 6/2001 DeCosse D8/300
D498,657 S 11/2004 Milrud et al.
D510,515 S 10/2005 Miller
D511,669 S 11/2005 Milller
D521,314 S 5/2006 Ball
D525,518 S * 7/2006 Baldwin D8/310
7,171,727 B2 * 2/2007 Wylie F24C 7/082
16/441
D559,206 S * 1/2008 Neveu D13/174

(Continued)

FOREIGN PATENT DOCUMENTS

CA 105389 A 8/2005
CA 107544 A 8/2005

(Continued)

OTHER PUBLICATIONS

U.S. Appl. No. 29/534,062, filed Jul. 24, 2015.

(Continued)

Primary Examiner — Derrick Holland
Assistant Examiner — Lauren Calve
(74) *Attorney, Agent, or Firm* — Banner & Witcoff, Ltd.

(57) **CLAIM**

The ornamental design for a knob, as shown and described.

DESCRIPTION

FIG. 1 is a front perspective view of a knob showing my new design;

FIG. 2 is a front view thereof;

FIG. 3 is a right side view thereof;

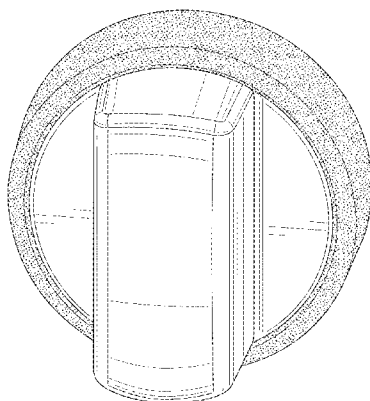
FIG. 4 is a left side view thereof;

FIG. 5 is a top view thereof; and,

FIG. 6 is a bottom view thereof.

The contrast in shading (stippling and line shading) represents a contrast in appearance only and does not represent any particular color, material, texture, or finish.

1 Claim, 4 Drawing Sheets



(56)

References Cited

U.S. PATENT DOCUMENTS

D563,757 S 3/2008 Cruver, IV et al.
 D567,060 S * 4/2008 Busalt D8/310
 D573,000 S 7/2008 Martin et al.
 D577,983 S 10/2008 Martin et al.
 D612,704 S * 3/2010 Funnell D8/310
 D612,705 S 3/2010 Baker et al.
 D628,457 S 12/2010 Bengtson
 D634,156 S 3/2011 Fuller et al.
 D634,602 S 3/2011 Bengtson
 D637,886 S 5/2011 Bengtson
 D642,042 S * 7/2011 Kim D8/311
 8,292,494 B2 * 10/2012 Rosa G05D 23/1902
 116/292
 D703,998 S 5/2014 Funnell, II et al.
 D710,673 S 8/2014 Boo et al.
 D715,126 S 10/2014 Kim et al.
 D722,815 S * 2/2015 Fuller D7/393
 D726,524 S * 4/2015 Borjesson D8/311
 D751,516 S * 3/2016 Oneufer D13/174

2009/0151505 A1 * 6/2009 Castillo G05G 1/12
 74/553
 2013/0228038 A1 * 9/2013 Klimecki G05G 1/105
 74/553
 2015/0370283 A1 * 12/2015 Lawson G05G 1/082
 74/553

FOREIGN PATENT DOCUMENTS

CA 114212 A 2/2007
 CA 122042 A 10/2008
 CA 122043 A 10/2008
 CA 130016 A 1/2010
 CA 137424 A 7/2011
 CA 137425 A 7/2011
 CA 143380 A 11/2012

OTHER PUBLICATIONS

U.S. Appl. No. 29/534,063, filed Jul. 24, 2015.

* cited by examiner

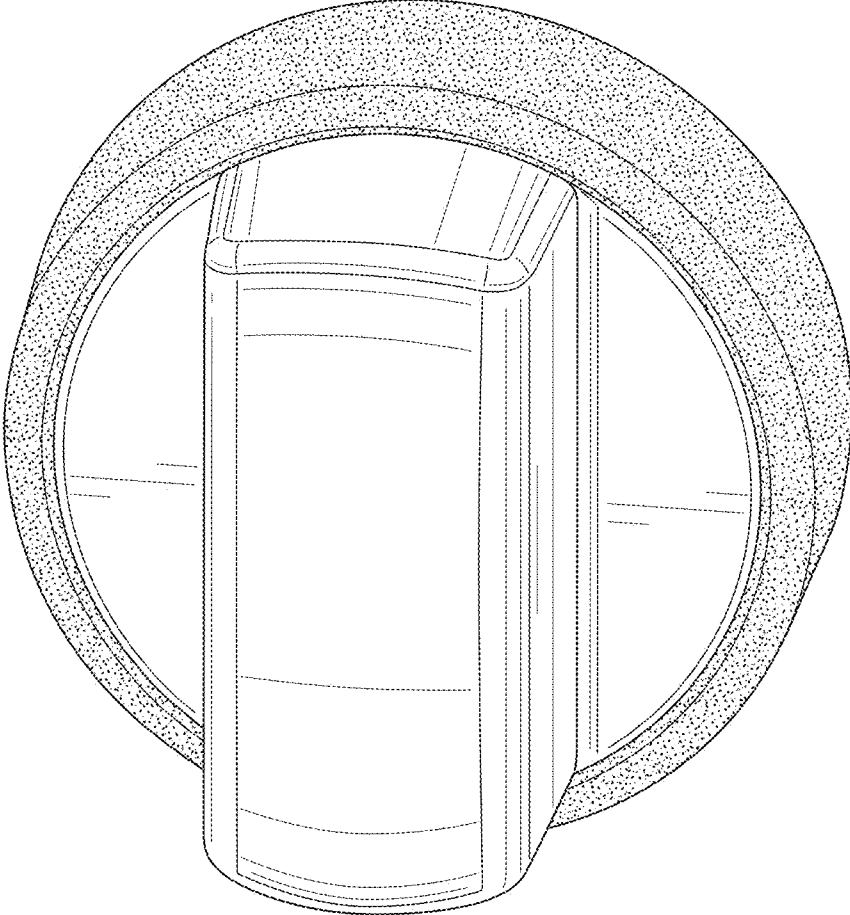


FIG. 1

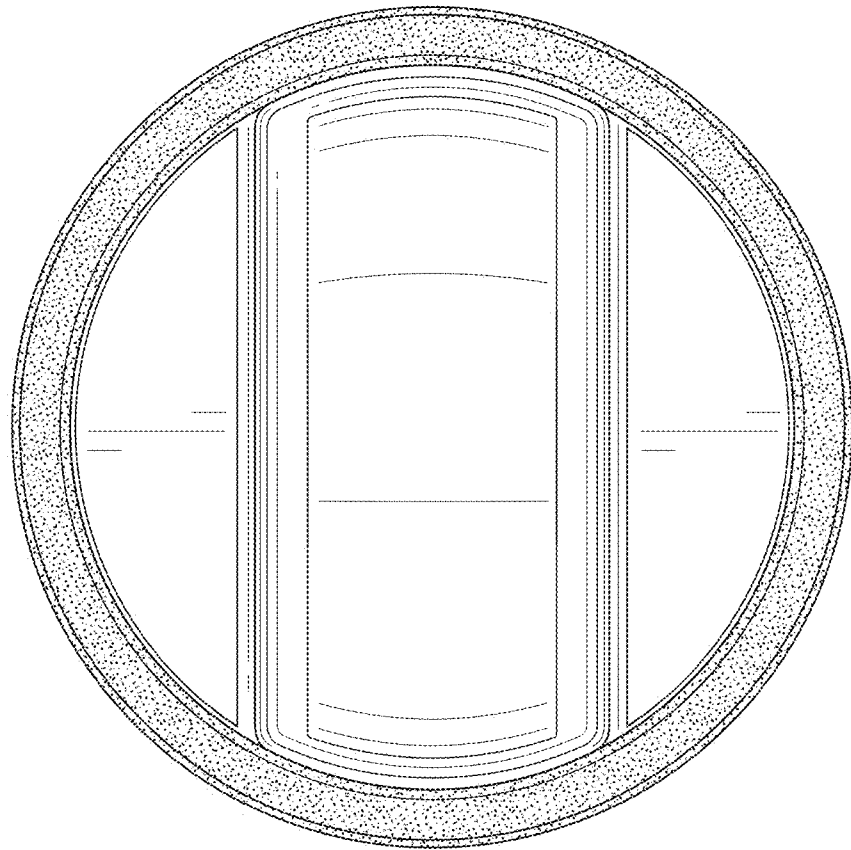


FIG. 2

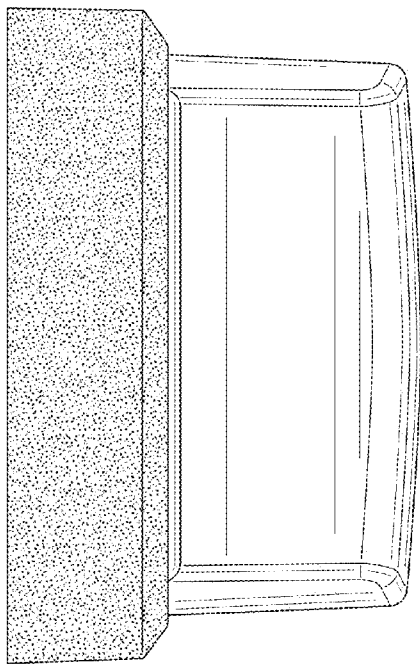


FIG. 3

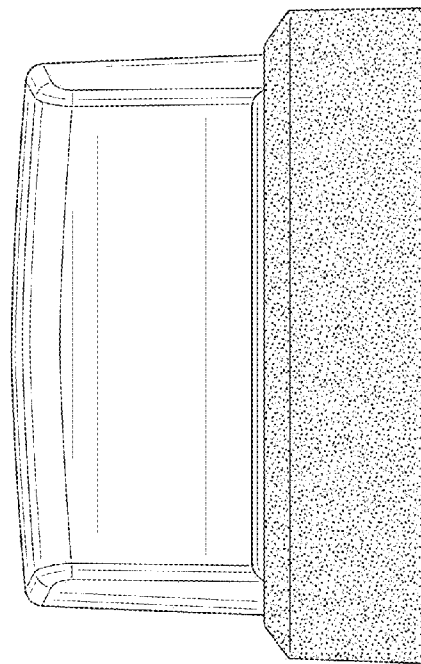


FIG. 4

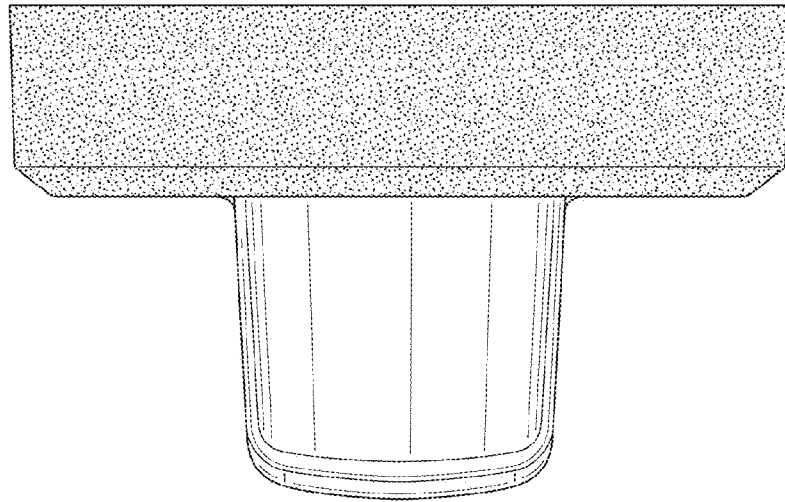


FIG. 5

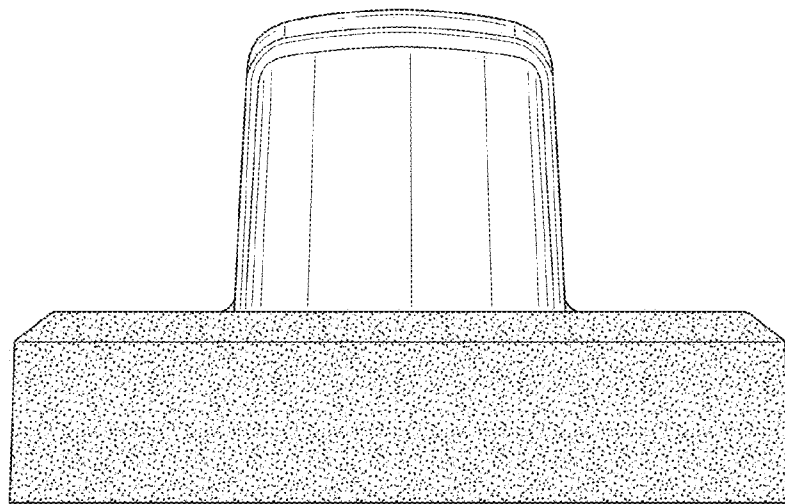


FIG. 6