



US00D694012S

(12) **United States Design Patent**
Hyzdu

(10) **Patent No.:** **US D694,012 S**

(45) **Date of Patent:** **** Nov. 26, 2013**

(54) **POPPYMATE POCKET**

(76) Inventor: **Julie Hyzdu**, Mesa, AZ (US)

(**) Term: **14 Years**

(21) Appl. No.: **29/417,000**

(22) Filed: **Mar. 29, 2012**

(51) **LOC (9) Cl.** **03-01**

(52) **U.S. Cl.**
USPC **D3/303**

(58) **Field of Classification Search**
USPC D3/234, 255, 271.9, 320, 256, 262, 279,
D3/299, 301, 303, 318, 319, 273, 289, 292,
D3/294-296, 232, 244; D9/424, 420;
D27/189; 206/349; 220/833; 312/902;
190/100

See application file for complete search history.

(56) **References Cited**

U.S. PATENT DOCUMENTS

D319,729 S *	9/1991	Kogutt	D3/299
D363,603 S *	10/1995	Leveen et al.	D3/303
D448,925 S *	10/2001	Willows et al.	D3/226
D458,021 S *	6/2002	Willows et al.	D3/226
D459,876 S *	7/2002	Smith	D3/226
D467,079 S *	12/2002	Willows et al.	D3/303
D473,715 S *	4/2003	Moldovan	D3/299
D482,195 S *	11/2003	Hansen et al.	D3/227
D484,307 S *	12/2003	Willows et al.	D3/226
D484,689 S *	1/2004	Hansen et al.	D3/227
6,698,636 B2 *	3/2004	Angus et al.	224/660
6,766,932 B2 *	7/2004	Hansen et al.	224/604
D522,750 S *	6/2006	Girod	D3/303
D543,696 S *	6/2007	Dodier	D3/226

D577,191 S *	9/2008	Moldovan	D3/203.6
D615,275 S *	5/2010	Hacker	D99/43
D629,203 S *	12/2010	Sayre	D3/299
D646,892 S *	10/2011	Littleton	D3/299
D684,366 S *	6/2013	Phillips et al.	D3/301

* cited by examiner

Primary Examiner — Sandra Snapp

(74) *Attorney, Agent, or Firm* — Jackson White, PC; Steven J. Laureanti

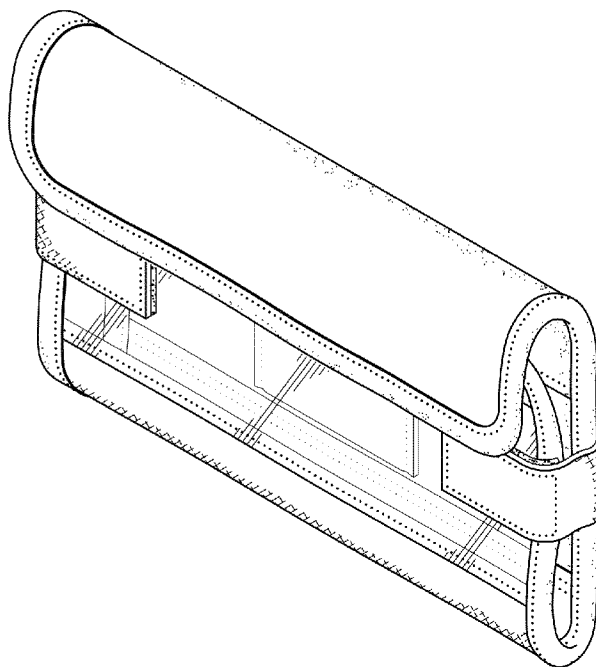
(57) **CLAIM**

The ornamental design for a poppymate pocket, as shown and described.

DESCRIPTION

FIG. 1 is a perspective view of the present invention in an open position;
 FIG. 2 is a front view of the present invention;
 FIG. 3 is a right side view of the present invention, the left side view being a mirror image thereof;
 FIG. 4 is a back view of the present invention;
 FIG. 5 is a top view of the present invention, the bottom view being a mirror image thereof;
 FIG. 6 is another perspective view of the present invention in a closed position; and,
 FIG. 7 is an alternate view of the present invention in a closed position attached to a user.
 The broken lines in FIG. 7 immediately adjacent the solid lines represent the bounds of the claim, and the broken lines and the area within the broken lines represent unclaimed portions of the present invention. None of the broken lines form a part of the claimed design.

1 Claim, 5 Drawing Sheets



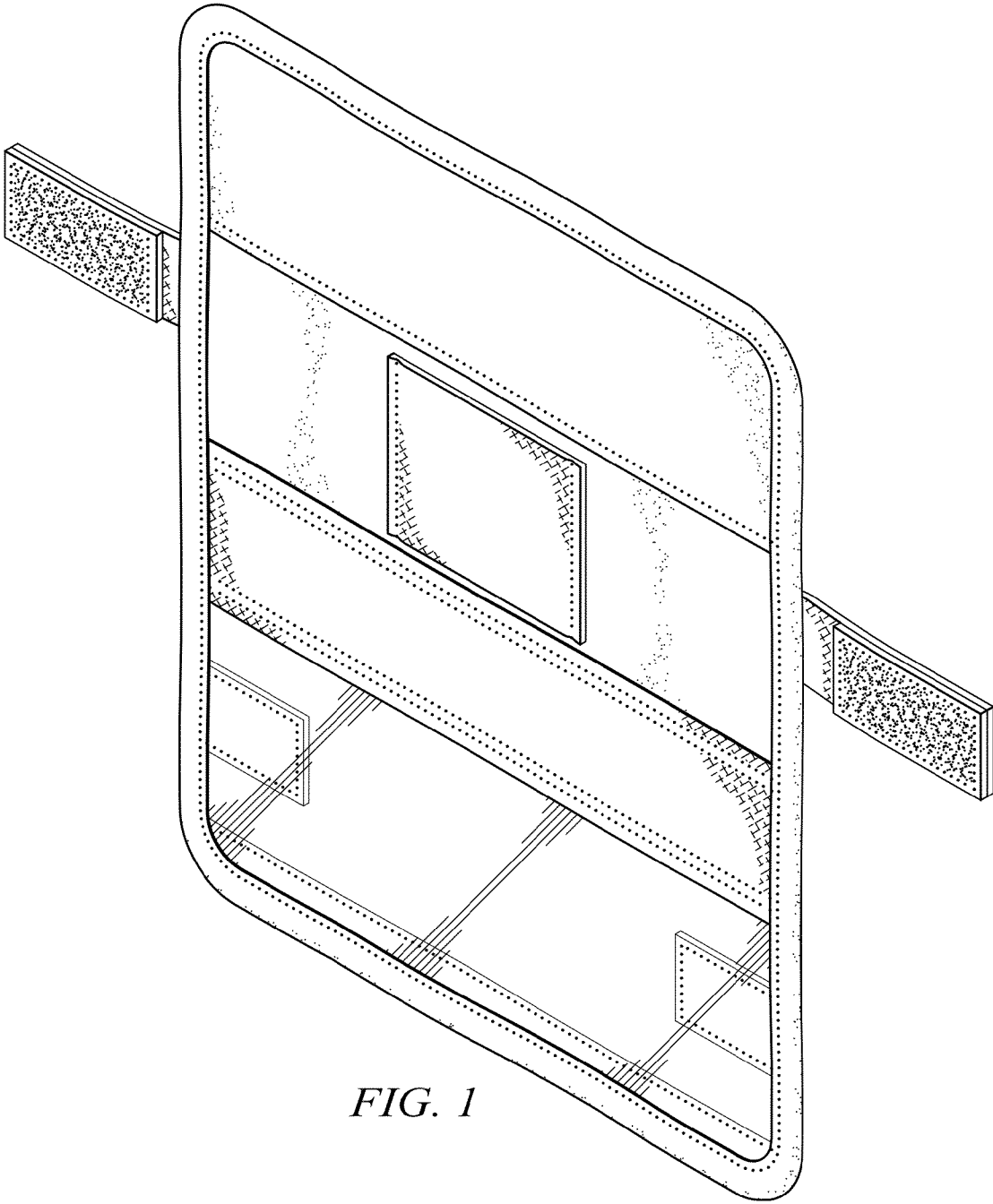


FIG. 1

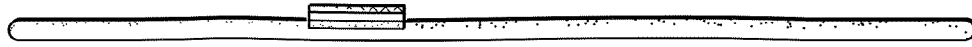


FIG. 3

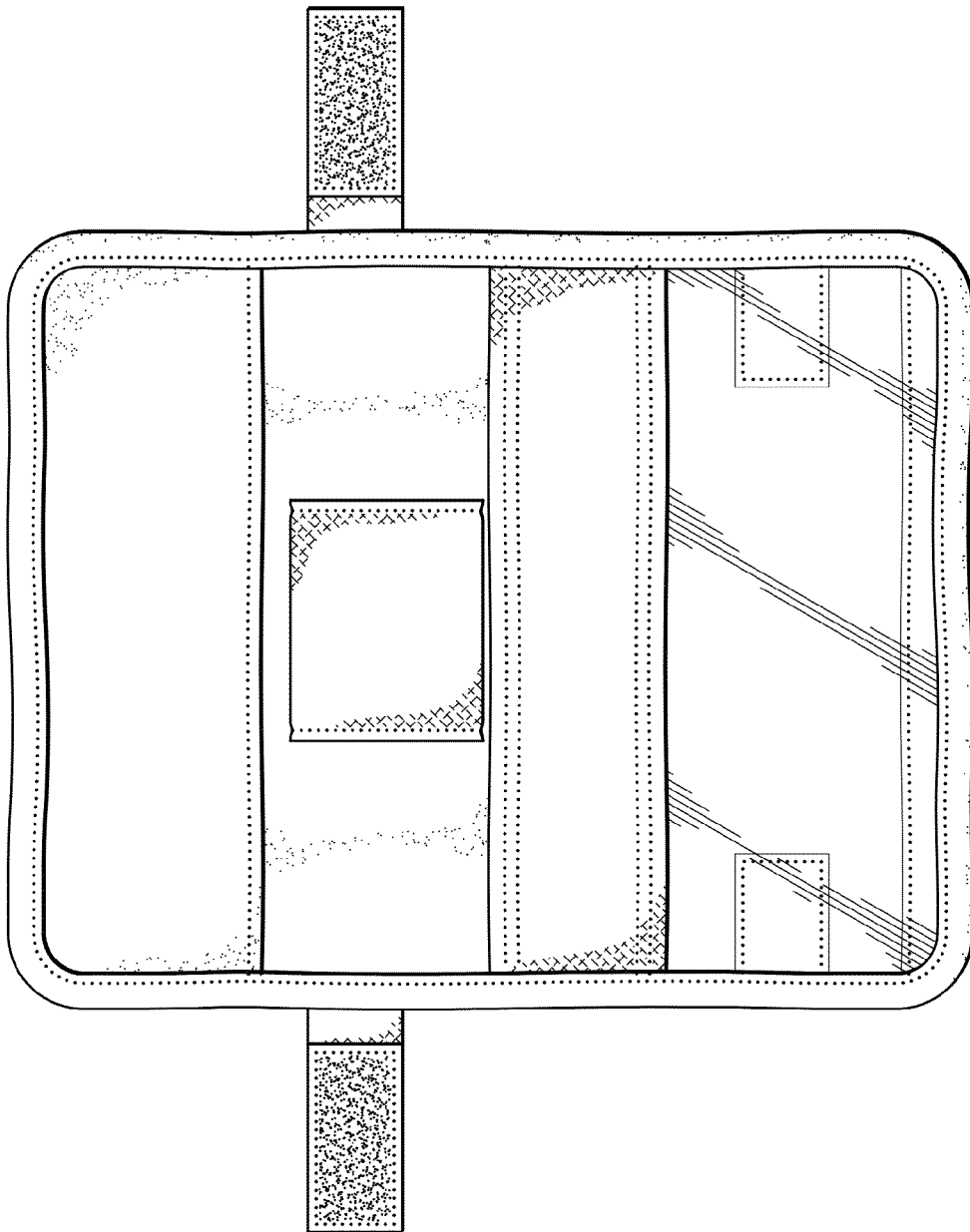


FIG. 2

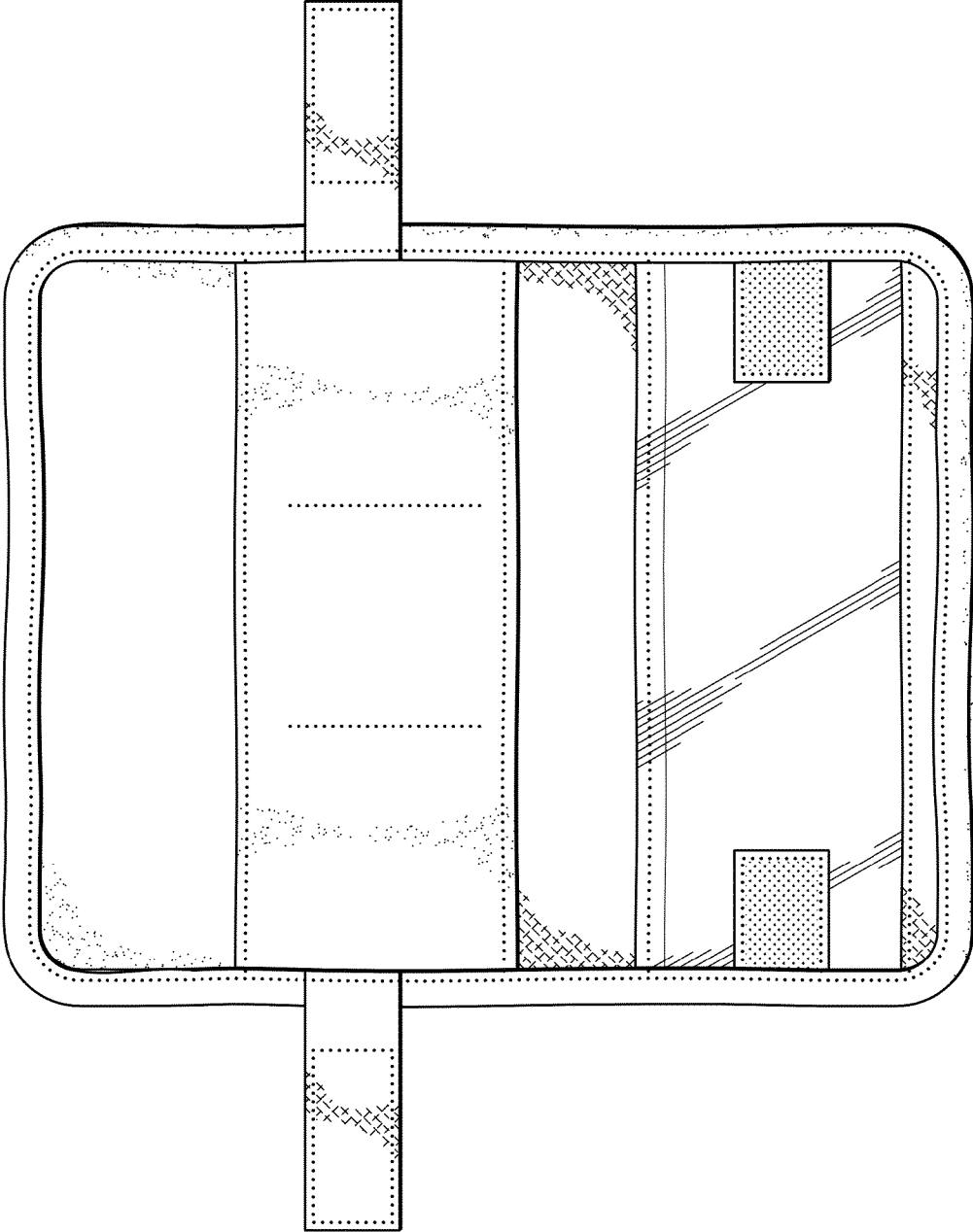


FIG. 4

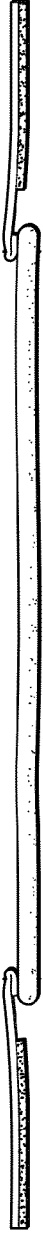


FIG. 5

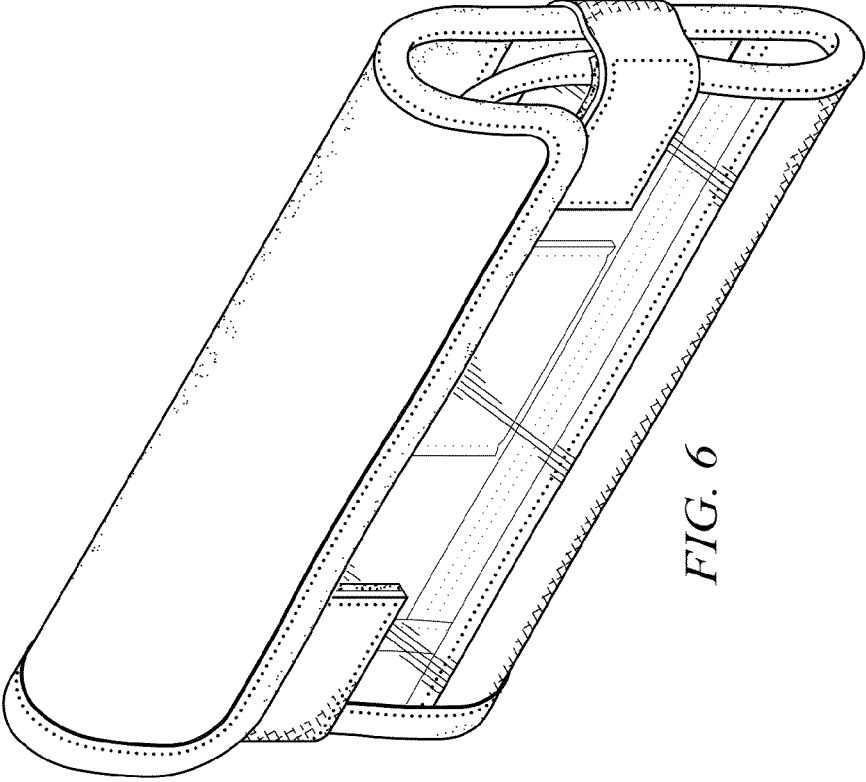


FIG. 6

FIG. 7

