

(19) World Intellectual Property Organization
International Bureau



(43) International Publication Date
22 November 2007 (22.11.2007)

PCT

(10) International Publication Number
WO 2007/132360 A3

(51) International Patent Classification:

G01N 1/22 (2006.01) G01N 1/40 (2006.01)
E21B 49/08 (2006.01) G01N 30/08 (2006.01)

(21) International Application Number:

PCT/IB2007/002640

(22) International Filing Date:

15 February 2007 (15.02.2007)

(25) Filing Language:

English

(26) Publication Language:

English

(30) Priority Data:

60/774,208 17 February 2006 (17.02.2006) US

(71) Applicant (for all designated States except US): **UTI LIMITED PARTNERSHIP** [CA/CA]; 3553-31 Street NW, Suite 130, Calgary, Alberta T2I 2K7 (CA).

(72) Inventors; and

(75) Inventors/Applicants (for US only): **RYAN, M., Cathy** [—/CA]; 3223 Cochrane Road NW, Calgary, Alberta T2M 4J4 (CA). **MCLEISH, Kimberley, L.** [—/CA]; 51 Glen-summit Close, Cochrane, Alberta T4C 2K1 (CA). **CHU, Angus** [—/CA]; 141 Crestridge Way SW, Calgary, Alberta T3B 5Z2 (CA).

(81) Designated States (unless otherwise indicated, for every kind of national protection available):

AE, AG, AL, AM, AT, AU, AZ, BA, BB, BG, BR, BW, BY, BZ, CA, CH, CN, CO, CR, CU, CZ, DE, DK, DM, DZ, EC, EE, EG, ES, FI, GB, GD, GE, GH, GM, GT, HN, HR, HU, ID, IL, IN, IS, JP, KE, KG, KM, KN, KP, KR, KZ, LA, LC, LK, LR, LS, LT, LU, LV, LY, MA, MD, ME, MG, MK, MN, MW, MX, MY, MZ, NA, NG, NI, NO, NZ, OM, PG, PH, PL, PT, RO, RS, RU, SC, SD, SE, SG, SK, SL, SM, SV, SY, TJ, TM, TN, TR, TT, TZ, UA, UG, US, UZ, VC, VN, ZA, ZM, ZW.

(84) Designated States (unless otherwise indicated, for every kind of regional protection available):

ARIPO (BW, GH, GM, KE, LS, MW, MZ, NA, SD, SL, SZ, TZ, UG, ZM, ZW), Eurasian (AM, AZ, BY, KG, KZ, MD, RU, TJ, TM), European (AT, BE, BG, CH, CY, CZ, DE, DK, EE, ES, FI, FR, GB, GR, HU, IE, IS, IT, LT, LU, LV, MC, NL, PL, PT, RO, SE, SI, SK, TR), OAPI (BF, BJ, CF, CG, CI, CM, GA, GN, GQ, GW, ML, MR, NE, SN, TD, TG).

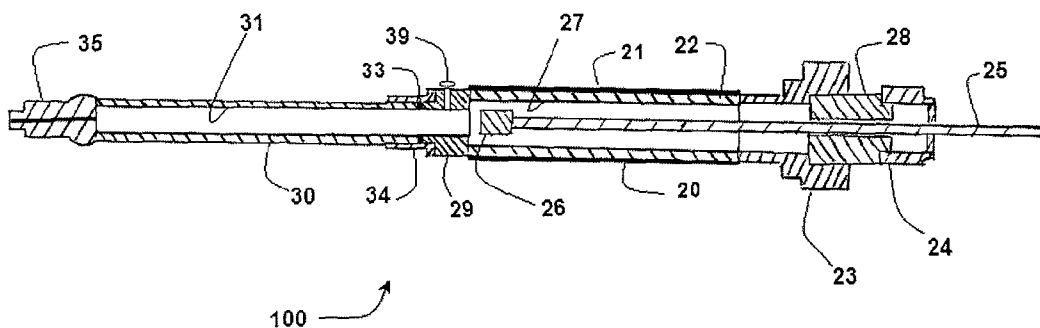
Published:

- with international search report
- before the expiration of the time limit for amending the claims and to be republished in the event of receipt of amendments

(88) Date of publication of the international search report:

17 April 2008

(54) Title: METHOD AND SYSTEM FOR SAMPLING DISSOLVED GAS



(57) Abstract: A gas sampling system having a storage chamber configured to store a gas; a water-impermeable, gas-permeable surface; and an isolating system. The isolating system is configured to have a first and a second position, and the storage chamber is in fluid communication with the water-impermeable, gas-permeable surface when the isolating system is in a first position. The storage chamber is not in fluid communication with the water-impermeable, gas-permeable surface when the isolating system is in the second position. The gas sampling system also has a gas displacement system configured to displace the gas from the storage chamber.



WO 2007/132360 A3

INTERNATIONAL SEARCH REPORT

International application No.
PCT/IB2007/002640

A. CLASSIFICATION OF SUBJECT MATTER
 IPC: *G01N 1/22* (2006.01), *E21B 49/08* (2006.01), *G01N 1/40* (2006.01), *G01N 30/08* (2006.01)
 According to International Patent Classification (IPC) or to both national classification and IPC

B. FIELDS SEARCHED

Minimum documentation searched (classification system followed by classification symbols)
 IPC: *G01N 1/22* (2006.01), *E21B 49/08* (2006.01), *G01N 1/40* (2006.01), *G01N 30/08* (2006.01) in combination with keywords

Documentation searched other than minimum documentation to the extent that such documents are included in the fields searched

Electronic database(s) consulted during the international search (name of database(s) and, where practicable, search terms used)
 USPTO WEST, Canadian Patent Database: Keywords: dissolved gas, concentration, gas sampling, groundwater, groundwater gas, in situ, partial pressure, gas permeable, water impermeable, diffusion, storage

C. DOCUMENTS CONSIDERED TO BE RELEVANT

Category*	Citation of document, with indication, where appropriate, of the relevant passages	Relevant to claim No.
A	US 6272938 Baghel et al (General Electric Company) 14 August 2001 (14-08-2001) See col. 2, line 60 - col. 3, line 60 and col. 4, lines 52 - 65.	1 - 28
A	US 5804743 Vroblesky et al (General Electric Company) 8 September 1998 (08-09-1998) See col. 3, line 4 - col. 4, line 67.	1 - 28
A	CA 2401375 Reinhardt (Baker Hughes Incorporated) 30 August 2001 (30-08-2001) See page 3, under Summary - page 4, line 8 and page 5, line 6 - page 13, line 5.	1 - 28

Further documents are listed in the continuation of Box C. See patent family annex.

* Special categories of cited documents :	"T" later document published after the international filing date or priority date and not in conflict with the application but cited to understand the principle or theory underlying the invention
"A" document defining the general state of the art which is not considered to be of particular relevance	"X" document of particular relevance; the claimed invention cannot be considered novel or cannot be considered to involve an inventive step when the document is taken alone
"E" earlier application or patent but published on or after the international filing date	"Y" document of particular relevance; the claimed invention cannot be considered to involve an inventive step when the document is combined with one or more other such documents, such combination being obvious to a person skilled in the art
"L" document which may throw doubts on priority claim(s) or which is cited to establish the publication date of another citation or other special reason (as specified)	"&" document member of the same patent family
"O" document referring to an oral disclosure, use, exhibition or other means	
"P" document published prior to the international filing date but later than the priority date claimed	

Date of the actual completion of the international search 10 January 2008 (10 - 01 - 2008)	Date of mailing of the international search report 06 February 2008 (06-02-2008)
---	---

Name and mailing address of the ISA/CA Canadian Intellectual Property Office Place du Portage I, C114 - 1st Floor, Box PCT 50 Victoria Street Gatineau, Quebec K1A 0C9 Facsimile No.: 001-819-953-2476	Authorized officer Patrick Norman 819- 997-2156
---	--

INTERNATIONAL SEARCH REPORT
Information on patent family members

International application No.
PCT/IB2007/002640

Patent Document Cited in Search Report	Publication Date	Patent Family Member(s)	Publication Date
US 6272938B1	14-08-2001	AU4371301A WO 0177666A2 WO 0177666A3	23-10-2001 18-10-2001 04-04-2002
US 5804743A	08-09-1998	None	
CA 2401375A1	30-08-2001	CA 2401375C EP 1257730A1 RU 2244123C2 RU 2002125501A WO 0163093A1	23-01-2007 20-11-2002 10-01-2005 10-03-2004 30-08-2001