



US00D731726S

(12) **United States Design Patent**
Thorne

(10) **Patent No.:** **US D731,726 S**

(45) **Date of Patent:** **** Jun. 9, 2015**

(54) **HANDLE**

(71) Applicant: **Euro-Pro Operating LLC**, Newton, MA (US)

(72) Inventor: **Jason Boyd Thorne**, Wellesley Hills, MA (US)

(73) Assignee: **Euro-Pro Operating LLC**, Newton, MA (US)

(**) Term: **14 Years**

(21) Appl. No.: **29/472,287**

(22) Filed: **Nov. 11, 2013**

Related U.S. Application Data

(63) Continuation of application No. 29/415,167, filed on Mar. 8, 2012, now Pat. No. Des. 695,980.

(51) **LOC (10) Cl.** **15-05**

(52) **U.S. Cl.** **D32/34**
USPC

(58) **Field of Classification Search**

USPC D32/31, 21, 22, 24, 34; 15/350-353, 15/361-362, 347, 410-411, 414, 320-322, 15/329, 335, 246.2, 1.7, 340.2, DIG. 10; 55/345

CPC A47L 5/24; A47L 11/34; A47L 5/362; A47L 19/1666; A47L 9/325; B01D 45/12; B01D 50/002

See application file for complete search history.

(56) **References Cited**

U.S. PATENT DOCUMENTS

D400,324 S	10/1998	Bobrosky et al.	
D435,324 S *	12/2000	Paterson et al.	D32/34
D435,945 S	1/2001	Ikeno et al.	
D435,947 S *	1/2001	Paterson et al.	D32/34
D436,426 S *	1/2001	Paterson et al.	D32/34

D443,121 S *	5/2001	Hamm et al.	D32/34
D455,876 S	4/2002	Arney et al.	
D473,981 S	4/2003	Wareham	
D475,820 S	6/2003	Dyson et al.	
D481,180 S	10/2003	Fujii	
D487,172 S	2/2004	Oh et al.	
D494,719 S	8/2004	Rosenzweig et al.	
D509,934 S *	9/2005	Santiago et al.	D32/31
D510,465 S *	10/2005	Takahashi et al.	
D516,259 S	2/2006	Richardson et al.	
D518,928 S	4/2006	Chiba	
D521,699 S	5/2006	Greene et al.	
D525,400 S *	7/2006	Luebbering et al.	D32/34
D531,770 S *	11/2006	Luebbering et al.	D32/22
D532,168 S	11/2006	Elrod	
D532,943 S	11/2006	Haranaka	
D532,944 S	11/2006	Choi	
D533,976 S	12/2006	Luebbering et al.	
D535,070 S	1/2007	Shin	
D537,584 S	2/2007	Greene et al.	
D537,994 S	3/2007	Leyden	
D541,497 S	4/2007	Elrod	

(Continued)

Primary Examiner — Ruth McInroy

(74) *Attorney, Agent, or Firm* — YANG IP Co, PLLC

(57) **CLAIM**

I claim the ornamental design for a handle, as shown and described.

DESCRIPTION

FIG. 1 is a front perspective view of a handle showing my new design;

FIG. 2 is a left side elevational view thereof;

FIG. 3 is a right side elevational view thereof;

FIG. 4 is a front elevational view thereof;

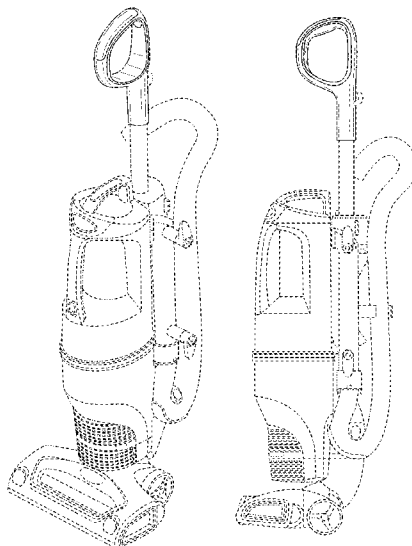
FIG. 5 is a rear elevational view thereof;

FIG. 6 is a top plan view thereof; and,

FIG. 7 is a bottom plan view thereof.

The broken lines are for illustrative purposes only and form no part of the claimed design.

1 Claim, 4 Drawing Sheets



(56)

References Cited

U.S. PATENT DOCUMENTS

D547,505 S	7/2007	Carr et al.		D632,036 S	2/2011	McNeil et al.	
D548,412 S *	8/2007	Bobrosky	D32/34	D632,037 S	2/2011	Carr et al.	
D549,905 S *	8/2007	Bobrosky et al.	D32/34	7,879,142 B2	2/2011	Han et al.	
D553,313 S	10/2007	Parr et al.		D637,777 S	5/2011	Fiorino et al.	
D587,870 S	3/2009	Baek et al.		8,032,983 B2	10/2011	Griffith et al.	
D597,917 S	8/2009	Chung		D648,087 S	11/2011	Park et al.	
D608,064 S	1/2010	Conrad et al.		D662,271 S	6/2012	Conrad et al.	
D608,962 S *	1/2010	Reese et al.	D32/22	D662,272 S	6/2012	Conrad et al.	
D609,418 S	2/2010	Santiago et al.		D662,677 S *	6/2012	Bilger et al.	D32/22
D611,210 S	3/2010	Conrad et al.		8,268,029 B2	9/2012	Yoo	
D612,114 S	3/2010	Ikeno		D694,970 S *	12/2013	Santiago et al.	D32/34
D614,370 S *	4/2010	Dyson et al.	D32/34	2008/0178420 A1	7/2008	Conrad	
D631,628 S	1/2011	Benacquisto et al.		2011/0219574 A1	9/2011	Conrad	
D632,035 S	2/2011	Luyckx et al.		2011/0219580 A1	9/2011	Conrad	
				2011/0225764 A1	9/2011	Muhlenkamp et al.	
				2014/0331445 A1 *	11/2014	Thorne et al.	15/335

* cited by examiner

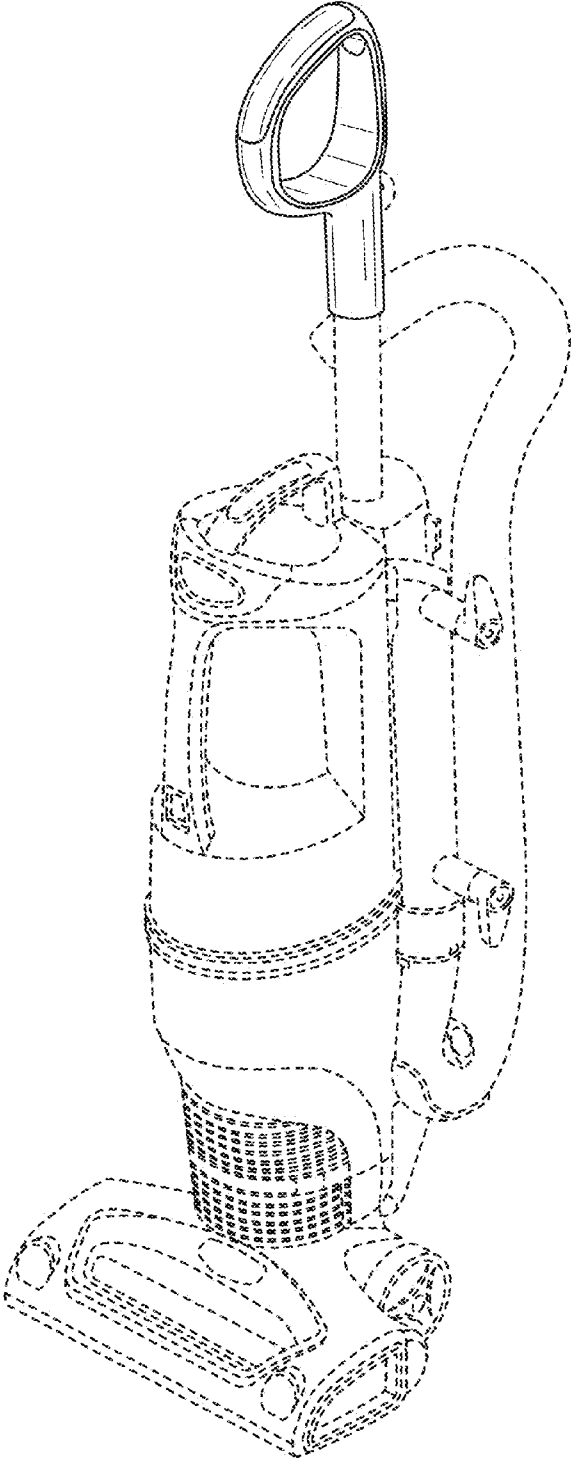


FIG. 1

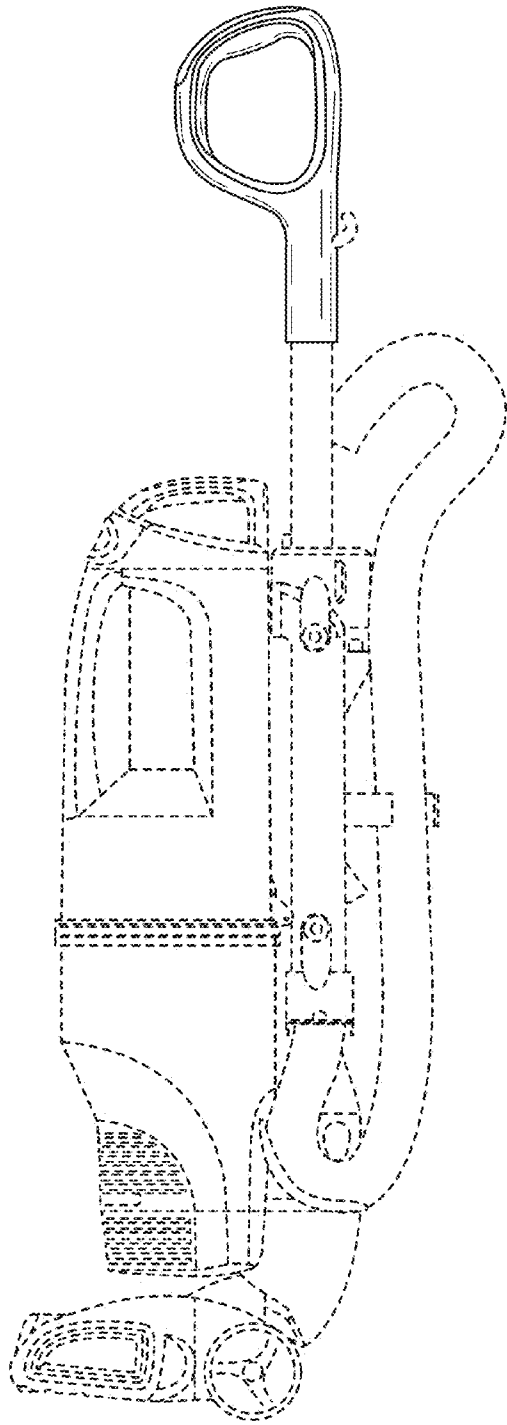


FIG. 2

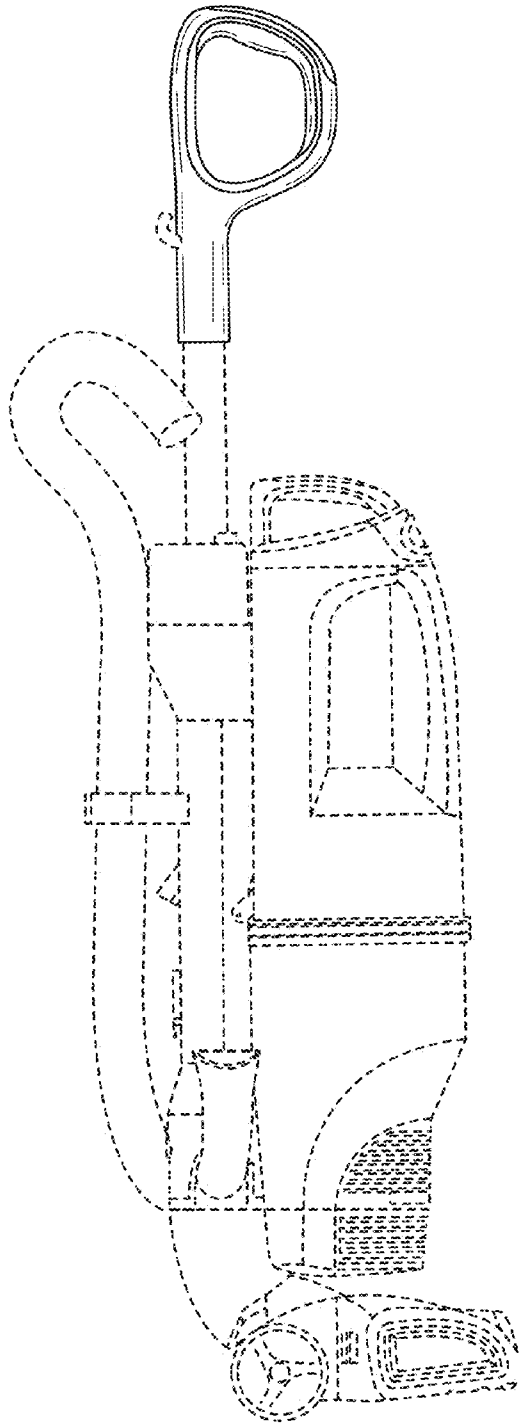


FIG. 3

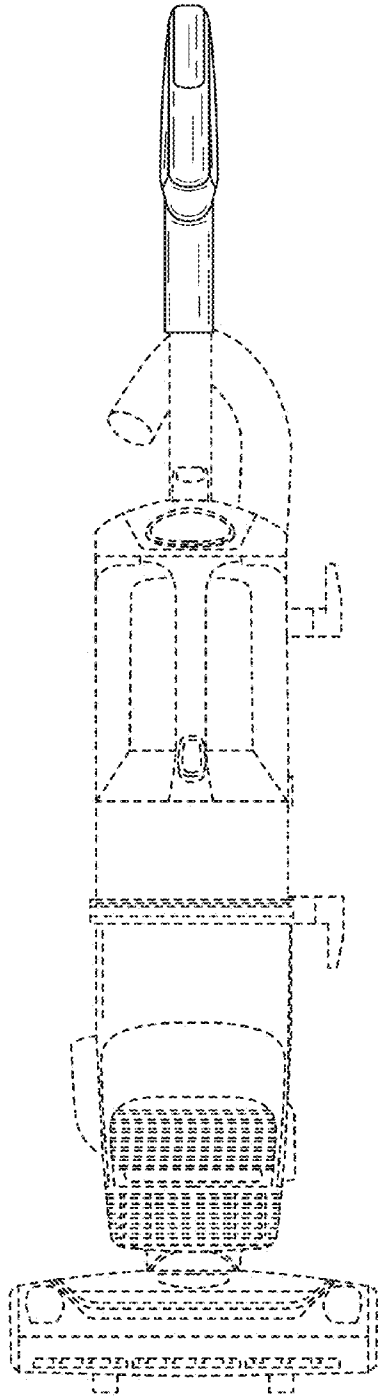


FIG. 4

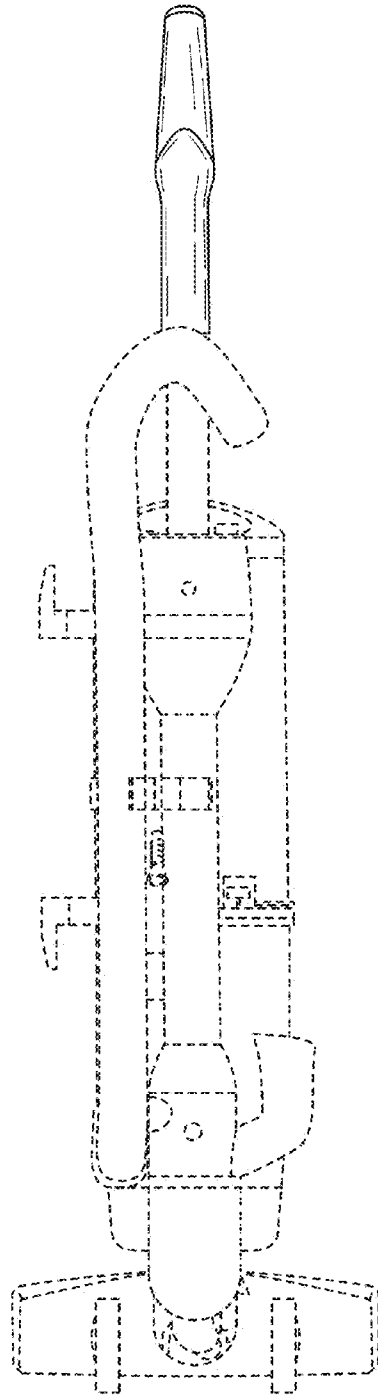


FIG. 5

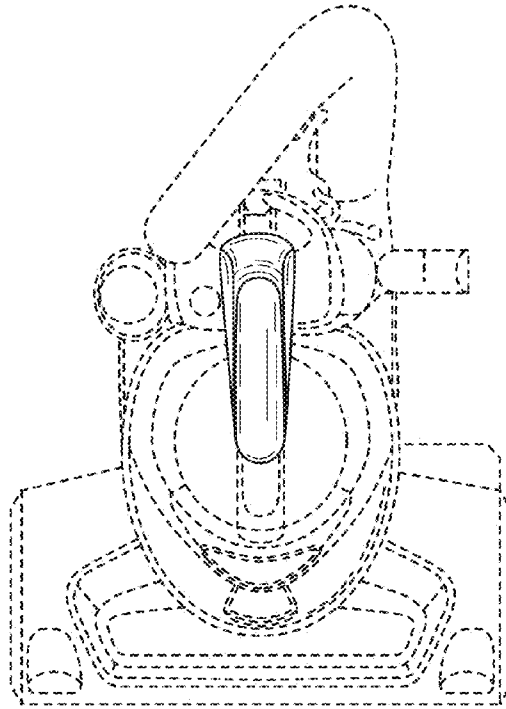


FIG. 6

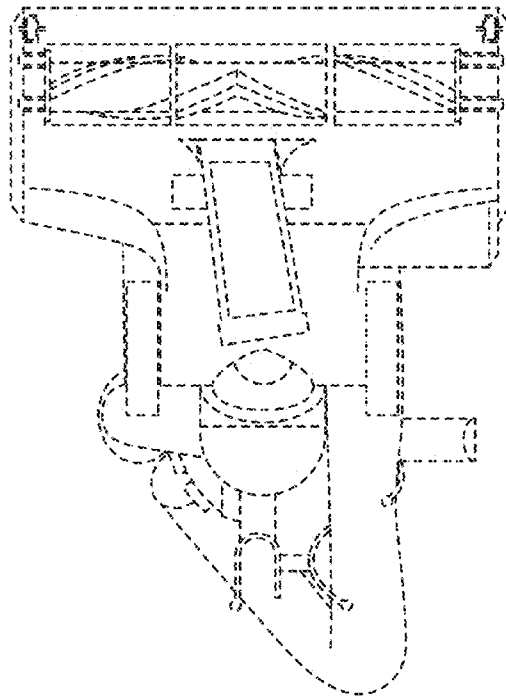


FIG. 7