



US00D514667S

(12) **United States Design Patent**
Kemp

(10) **Patent No.:** **US D514,667 S**

(45) **Date of Patent:** **** Feb. 7, 2006**

(54) **SPOUT**

(75) **Inventor:** **Douglas A. Kemp**, North Ridgeville, OH (US)

(73) **Assignee:** **Moen Incorporated**, North Olmsted, OH (US)

(**) **Term:** **14 Years**

(21) **Appl. No.:** **29/195,969**

(22) **Filed:** **Dec. 19, 2003**

(51) **LOC (8) Cl.** **23-01**

(52) **U.S. Cl.** **D23/255**

(58) **Field of Classification Search** D23/238-257;
4/675-678; 137/801

See application file for complete search history.

(56) **References Cited**

U.S. PATENT DOCUMENTS

1,853,154 A	4/1932	Snyder
D87,328 S	7/1932	Brotz
2,096,370 A	10/1937	Carmody
D140,557 S	3/1945	Stanitz
D141,349 S	5/1945	Stanitz
2,654,390 A	10/1953	Archer et al.
D176,447 S	12/1955	Cohen
D186,565 S	11/1959	Dreyfuss
D193,922 S	10/1962	Ross
D196,417 S	9/1963	Lander
D217,966 S	7/1970	Korol
3,520,325 A	7/1970	Stuart
D219,779 S	1/1971	Tiller
3,590,876 A	7/1971	Young
D221,429 S	8/1971	Petterson
D235,546 S	6/1975	Landell
4,026,328 A	5/1977	Nelson
D253,799 S	1/1980	Saporito et al.
D255,595 S	6/1980	Lampe et al.
D258,518 S	3/1981	Thevenot
4,290,445 A	9/1981	Turner
D268,608 S	4/1983	Wilcock
4,429,422 A	2/1984	Wareham
D273,512 S	4/1984	Arnolds

D276,259 S	11/1984	Miller
4,484,600 A	11/1984	Peterson et al.
D278,271 S	4/1985	Niemann
D279,598 S	7/1985	Rademacher
D286,561 S	11/1986	Yost
4,635,673 A	1/1987	Gerdes
D288,835 S	3/1987	Yost
D288,837 S	3/1987	Yost
D290,992 S	7/1987	Hill et al.
D291,117 S	7/1987	Ryan
D291,236 S	8/1987	Delepine
D295,065 S	4/1988	Fabian
D296,461 S	6/1988	Yost
4,757,841 A	7/1988	Lucas
4,761,839 A	8/1988	Ganaway
4,767,922 A	8/1988	Stauffer
D297,972 S	10/1988	Yost
D299,161 S	12/1988	Frattini
4,856,559 A	8/1989	Lipshultz et al.
4,884,596 A	12/1989	Byers et al.
D309,342 S	7/1990	Nowlin et al.
D313,646 S	1/1991	Selberg et al.

(Continued)

Primary Examiner—Louis S. Zarfaz

Assistant Examiner—Gregory Andoll

(74) *Attorney, Agent, or Firm*—Calfee, Halter & Griswold LLP

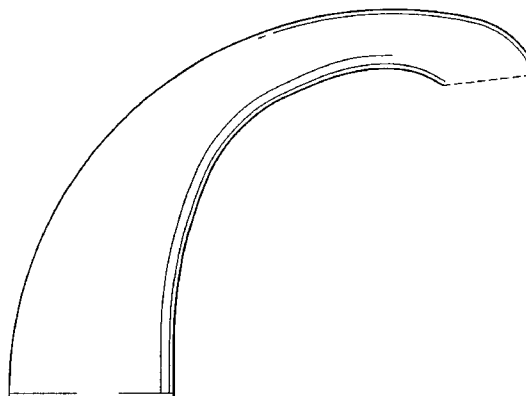
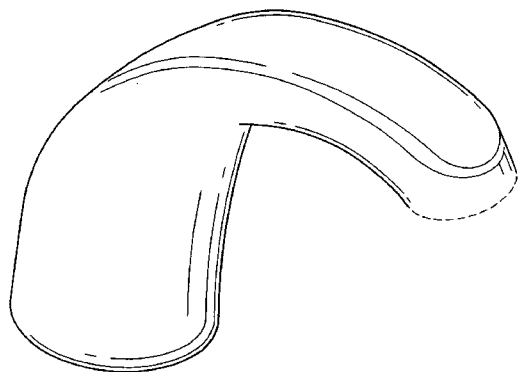
(57) **CLAIM**

The ornamental design for a spout, as shown and described.

DESCRIPTION

FIG. 1 is a perspective view of a spout of the new design; FIG. 2 is a left side elevational view of the spout of FIG. 1; FIG. 3 is a top plan view of the spout of FIG. 1; FIG. 4 is a front elevational view of the spout of FIG. 1; FIG. 5 is a right side elevational view of the spout of FIG. 1; FIG. 6 is a rear elevational view of the spout of FIG. 1; and FIG. 7 is a bottom plan view of the spout of FIG. 1. The portions of the Figures shown in phantom lines are not part of the claimed design but are for illustration only.

1 Claim, 2 Drawing Sheets



US D514,667 S

U.S. PATENT DOCUMENTS

D314,813 S	2/1991	Jans		D402,351 S	12/1998	Lord	
D315,786 S	3/1991	Pilolla et al.		D405,164 S	2/1999	Lord	
4,998,555 A	3/1991	Barhydt, Sr. et al.		D405,165 S	2/1999	Kolada	
D316,895 S	* 5/1991	Hill et al.	D23/255	5,865,477 A	2/1999	Ko	
D320,645 S	10/1991	Knapp et al.		D406,318 S	3/1999	Lord	
D322,306 S	12/1991	Kohler, Jr.		D406,319 S	3/1999	Lord	
D323,549 S	1/1992	Haug et al.		D406,323 S	3/1999	Snyder	
D323,700 S	2/1992	Wilde		D406,876 S	3/1999	Ko	
D323,877 S	2/1992	Haug et al.		D406,880 S	3/1999	Doughty et al.	
D325,423 S	4/1992	Kolada et al.		D407,801 S	4/1999	Kolada	
D326,897 S	6/1992	Williams		D408,895 S	4/1999	Lai	
D326,901 S	6/1992	Yost		D408,897 S	4/1999	Warshawsky	
D327,117 S	6/1992	Williams		D409,285 S	5/1999	Donahue et al.	
D327,731 S	7/1992	Kajpust et al.		D413,966 S	9/1999	Pitsch	
D328,782 S	8/1992	Paterson et al.		D415,560 S	10/1999	Lindholm	
D329,083 S	9/1992	Dannenberg		D416,312 S	11/1999	Kolada	
5,165,121 A	11/1992	McTargett et al.		D416,982 S	11/1999	Warshawsky et al.	
5,215,216 A	6/1993	Van Marcke		D417,486 S	12/1999	Lord	
D340,506 S	10/1993	Sauter et al.		D418,202 S	12/1999	Warshawsky et al.	
D341,873 S	11/1993	Allen et al.		D418,578 S	1/2000	Warshawsky et al.	
D341,875 S	11/1993	Allen et al.		D421,094 S	2/2000	Green et al.	
D341,876 S	11/1993	Rademacher		D421,292 S	2/2000	Lord	
D343,445 S	1/1994	Allen et al.		D421,642 S	3/2000	Ko	
5,275,190 A	1/1994	Williams		D422,343 S	4/2000	Lord	
D346,645 S	5/1994	Hill et al.		D423,084 S	4/2000	Lord	
D347,883 S	6/1994	Kolada et al.		D424,173 S	5/2000	Donahue et al.	
D348,510 S	7/1994	Gottwald		D427,666 S	7/2000	Wei et al.	
D349,757 S	8/1994	Altman		6,082,407 A	7/2000	Paterson et al.	
D350,812 S	9/1994	Kolada et al.		D430,650 S	9/2000	Graves	
D351,017 S	9/1994	Gottwald		D431,630 S	10/2000	Lord	
D352,095 S	11/1994	Bollenbacher		D432,631 S	10/2000	Lord	
D352,547 S	11/1994	McKeone		6,138,296 A	10/2000	Baker	
D352,769 S	11/1994	Formgren		D433,490 S	11/2000	Nguyen et al.	
D353,876 S	12/1994	Delabie et al.		D437,032 S	1/2001	Ko	
5,388,287 A	2/1995	Tischler et al.		6,189,569 B1	2/2001	Calhoun	
D356,631 S	3/1995	Kolada		D438,602 S	3/2001	Milrud et al.	
D357,526 S	4/1995	Jans		6,195,818 B1	3/2001	Rodstein et al.	
D359,112 S	6/1995	Mark et al.		D440,635 S	4/2001	Fleischmann	
D361,827 S	8/1995	Doughty et al.		6,220,278 B1	4/2001	Sauter et al.	
D362,899 S	10/1995	Jans		D441,430 S	5/2001	Dretzka	
D364,215 S	11/1995	Starck		D441,847 S	5/2001	Oliver	
D368,956 S	4/1996	Haug et al.		D444,539 S	7/2001	Ker	
D371,827 S	7/1996	Jans		D445,483 S	7/2001	Dretzka et al.	
D373,179 S	8/1996	Sieger		6,256,810 B1	7/2001	Baker	
D373,617 S	9/1996	Doughty et al.		6,267,136 B1	7/2001	Johnson	
D374,706 S	10/1996	Doughty et al.		D447,219 S	8/2001	Donath, Jr. et al.	
D374,707 S	10/1996	Doughty et al.		D447,541 S	9/2001	Dretzka	
D374,708 S	10/1996	Doughty et al.		D448,452 S	9/2001	Pitsch et al.	
D375,142 S	10/1996	Doughty et al.		D448,453 S	9/2001	Lord	
D375,144 S	10/1996	Doughty et al.		D448,833 S	10/2001	Pitsch	
D375,147 S	10/1996	Doughty et al.		D452,298 S	12/2001	Fabian et al.	
5,579,808 A	12/1996	Mikol et al.		6,360,770 B1	3/2002	Buchner et al.	
D378,123 S	2/1997	Warshawsky		D457,939 S	5/2002	Gottwald	
D378,230 S	2/1997	Doughty et al.		D457,940 S	5/2002	Kolada et al.	
D379,849 S	6/1997	Hill et al.		6,408,881 B2	6/2002	Lorenzelli et al.	
D380,251 S	6/1997	Spurgeon et al.		D459,789 S	7/2002	Green et al.	
D380,252 S	6/1997	Abel		D460,151 S	7/2002	Green et al.	
D381,397 S	7/1997	Steffes		D460,524 S	7/2002	Green et al.	
D381,400 S	7/1997	Doughty et al.		D460,525 S	7/2002	Green et al.	
D381,401 S	7/1997	Doughty et al.		D461,231 S	8/2002	Mullenmeister	
D382,940 S	8/1997	Ku		D461,526 S	8/2002	Chang	
D384,132 S	9/1997	Doughty et al.		D461,540 S	8/2002	Gottwald	
D385,337 S	10/1997	Spurgeon et al.		D461,542 S	8/2002	Shieh	
D387,132 S	12/1997	Donahue et al.		D461,543 S	* 8/2002	Mullenmeister	D23/257
D387,416 S	12/1997	Chin		D461,879 S	8/2002	Mullenmeister	
5,694,653 A	12/1997	Harald		6,435,212 B2	8/2002	Brandebusemeyer	
D390,639 S	2/1998	Ming-hua		6,438,771 B1	8/2002	Donath, Jr. et al.	
D397,207 S	8/1998	Lord		D463,535 S	9/2002	Singtoroj	
D397,424 S	8/1998	Ficken, Jr. et al.		D463,846 S	10/2002	Ko	
D398,374 S	9/1998	Lord		D463,850 S	10/2002	Green et al.	
				D464,111 S	10/2002	Spangler et al.	

US D514,667 S

Page 3

D464,113 S	10/2002	Lord et al.	D466,593 S	12/2002	Otero et al.	
D464,117 S	10/2002	Blomstrom	D466,981 S	12/2002	Cosolito et al.	
D464,120 S	10/2002	Ramli	D467,320 S	12/2002	Yegyayan	
D464,398 S	10/2002	Spangler et al.	D467,643 S	12/2002	Otero et al.	
D465,011 S	10/2002	Singtoroj et al.	6,491,058 B1 *	12/2002	Wang	137/359
D465,265 S	11/2002	Czerwinski, Jr. et al.	D468,397 S	1/2003	Czerwinski, Jr.	
D465,267 S	11/2002	Wurth	D468,410 S	1/2003	Hundley	
D465,269 S	11/2002	Hsu	D469,518 S	1/2003	Bates et al.	
D465,560 S	11/2002	Singtoroj	D470,224 S	2/2003	Hanna	
D465,828 S	11/2002	Yegyayan	D470,917 S	2/2003	Friedrich	
D465,829 S	11/2002	Singtoroj	D470,925 S	2/2003	Blomstrom	
D465,831 S	11/2002	Otero et al.	D471,961 S	3/2003	Dretzka	
D466,196 S	11/2002	Otero et al.	D471,962 S	3/2003	Spangler et al.	
D466,197 S	11/2002	Singtoroj				
6,484,330 B2	11/2002	Gray et al.				

* cited by examiner

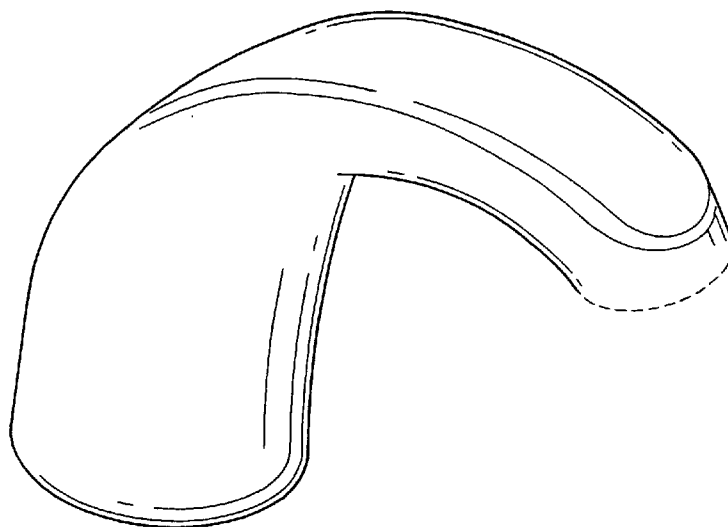


FIG. 1

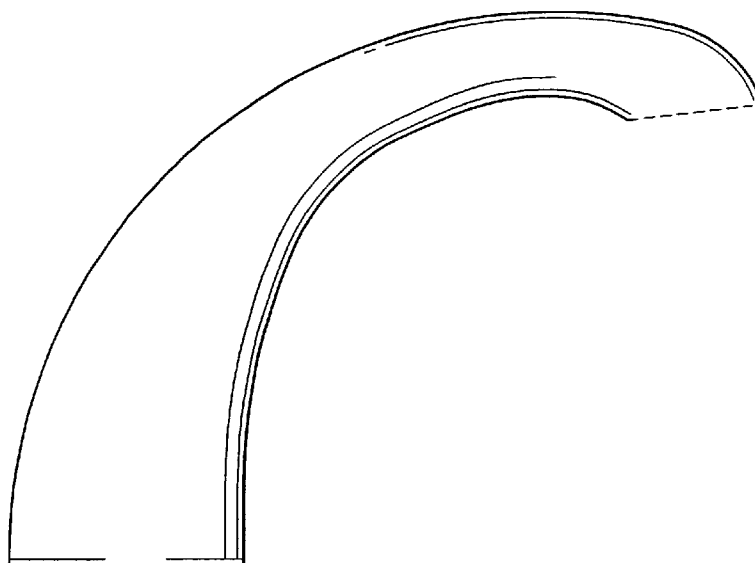


FIG. 2

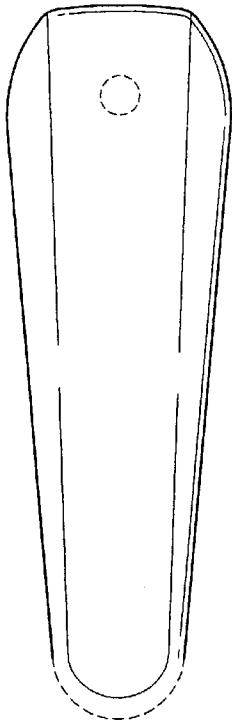


FIG. 3

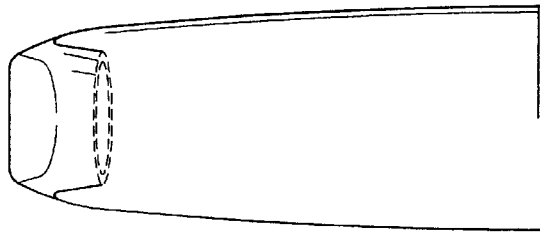


FIG. 4

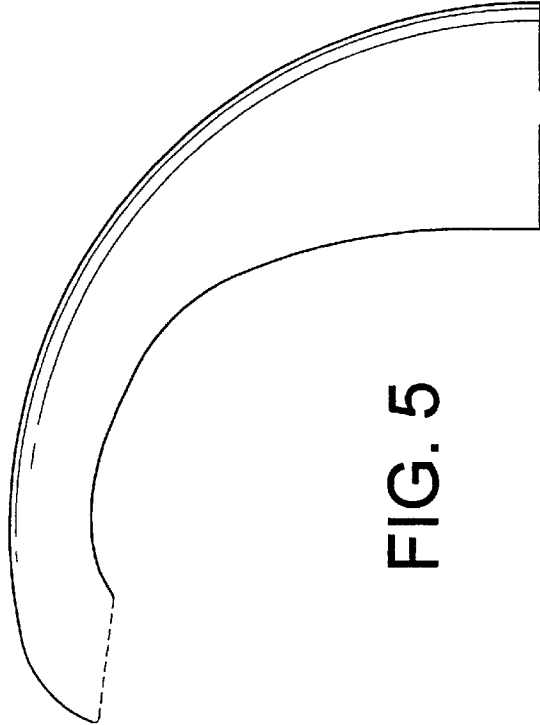


FIG. 5

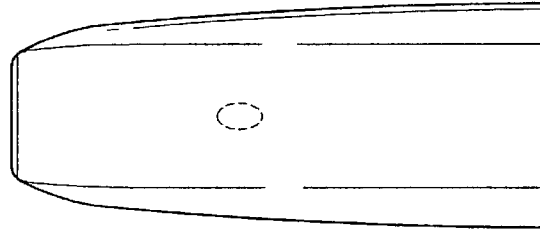


FIG. 6

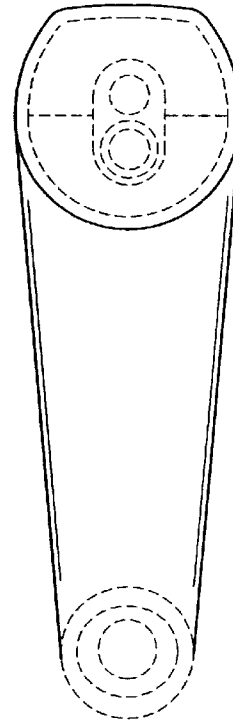


FIG. 7