



US00D587791S

(12) **United States Design Patent**
Jaeckel et al.

(10) **Patent No.:** **US D587,791 S**

(45) **Date of Patent:** **** Mar. 3, 2009**

(54) **TOILET SYSTEM FOR RECREATIONAL VEHICLES**

(75) Inventors: **Alexandra-Joy Jaeckel**, Siegen (DE);
Roland Sauter, Aitrach (DE); **Andrew Moseley**, Herborn (DE)

(73) Assignee: **Dometic GmbH**, Siegen (DE)

(**) Term: **14 Years**

(21) Appl. No.: **29/283,391**

(22) Filed: **Aug. 13, 2007**

(30) **Foreign Application Priority Data**

Feb. 12, 2007 (EM) 000669023

(51) **LOC (9) Cl.** **23-02**

(52) **U.S. Cl.** **D23/299**

(58) **Field of Classification Search** D23/273-274,
D23/295-299, 303, 309, 313; 4/663-664,
4/300, 312, 329, 348, 352-353
See application file for complete search history.

(56) **References Cited**

U.S. PATENT DOCUMENTS

D222,060 S * 9/1971 Quintana D23/299

D231,458 S * 4/1974 Fulton et al. D23/299
D255,597 S * 6/1980 Sargent et al. D23/299
D257,071 S * 9/1980 Yonezawa D23/299
4,603,443 A * 8/1986 Stewart 4/314
D473,636 S * 4/2003 Barry D23/296
D487,138 S * 2/2004 Billsund et al. D23/295
7,325,257 B2 * 2/2008 Kolar et al. 4/300

* cited by examiner

Primary Examiner—Robert A Delehanty

(74) *Attorney, Agent, or Firm*—Pearne & Gordon LLP

(57) **CLAIM**

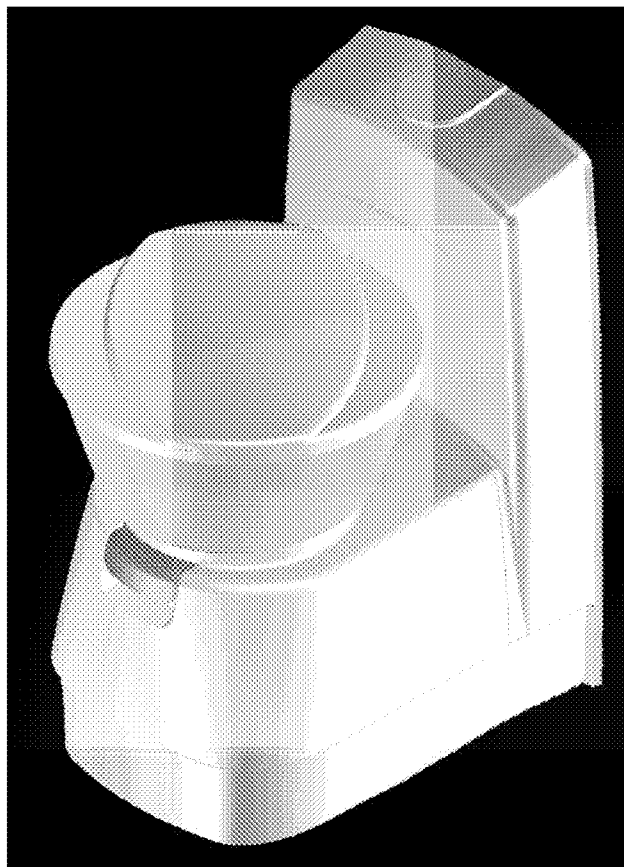
The ornamental design for a toilet system for recreational vehicles, as shown and described.

DESCRIPTION

FIG. 1 is a perspective view of a first embodiment of new invention; and,

FIG. 2 is a perspective view a second embodiment of new invention.

1 Claim, 2 Drawing Sheets



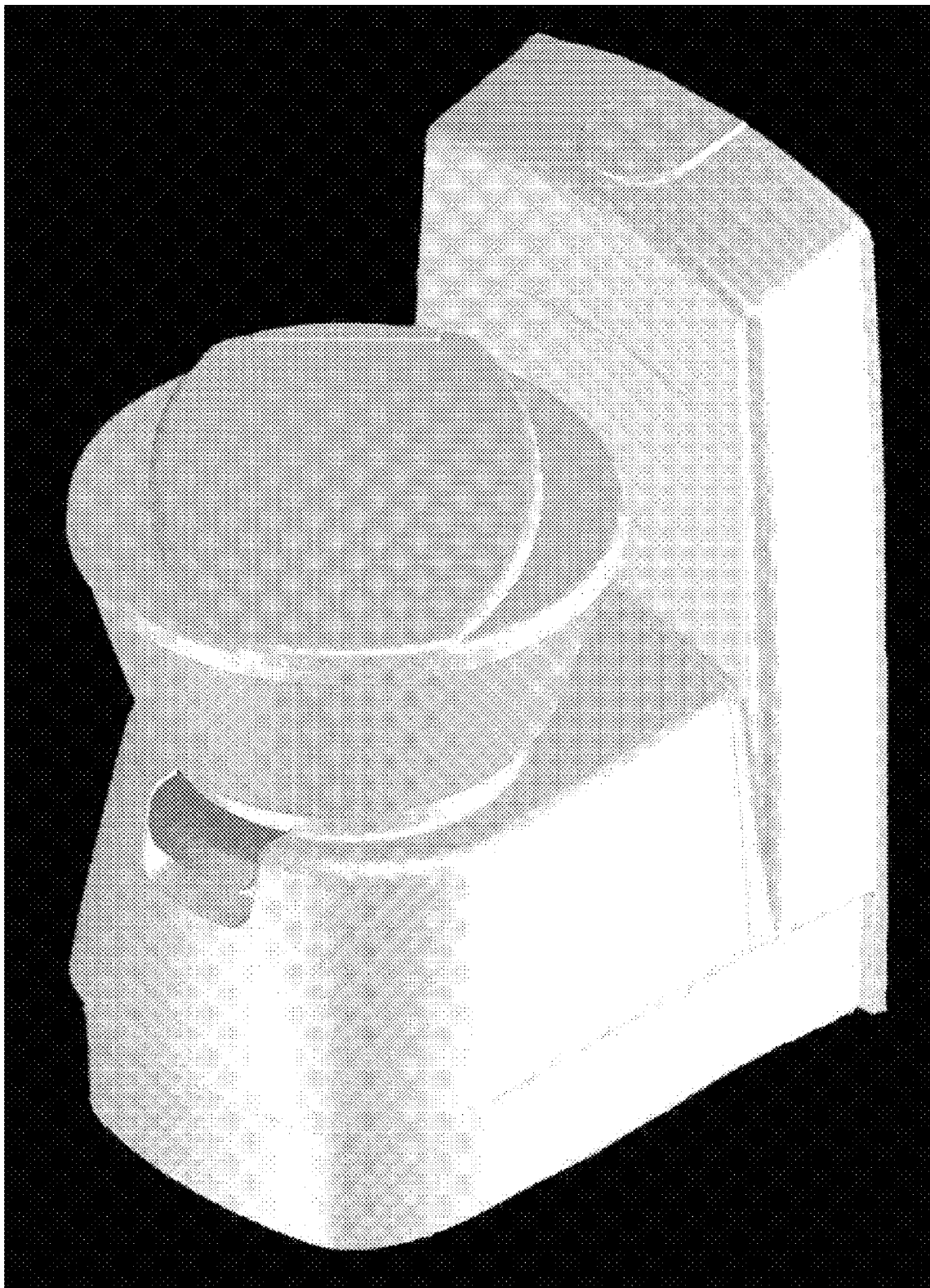


FIG. 1

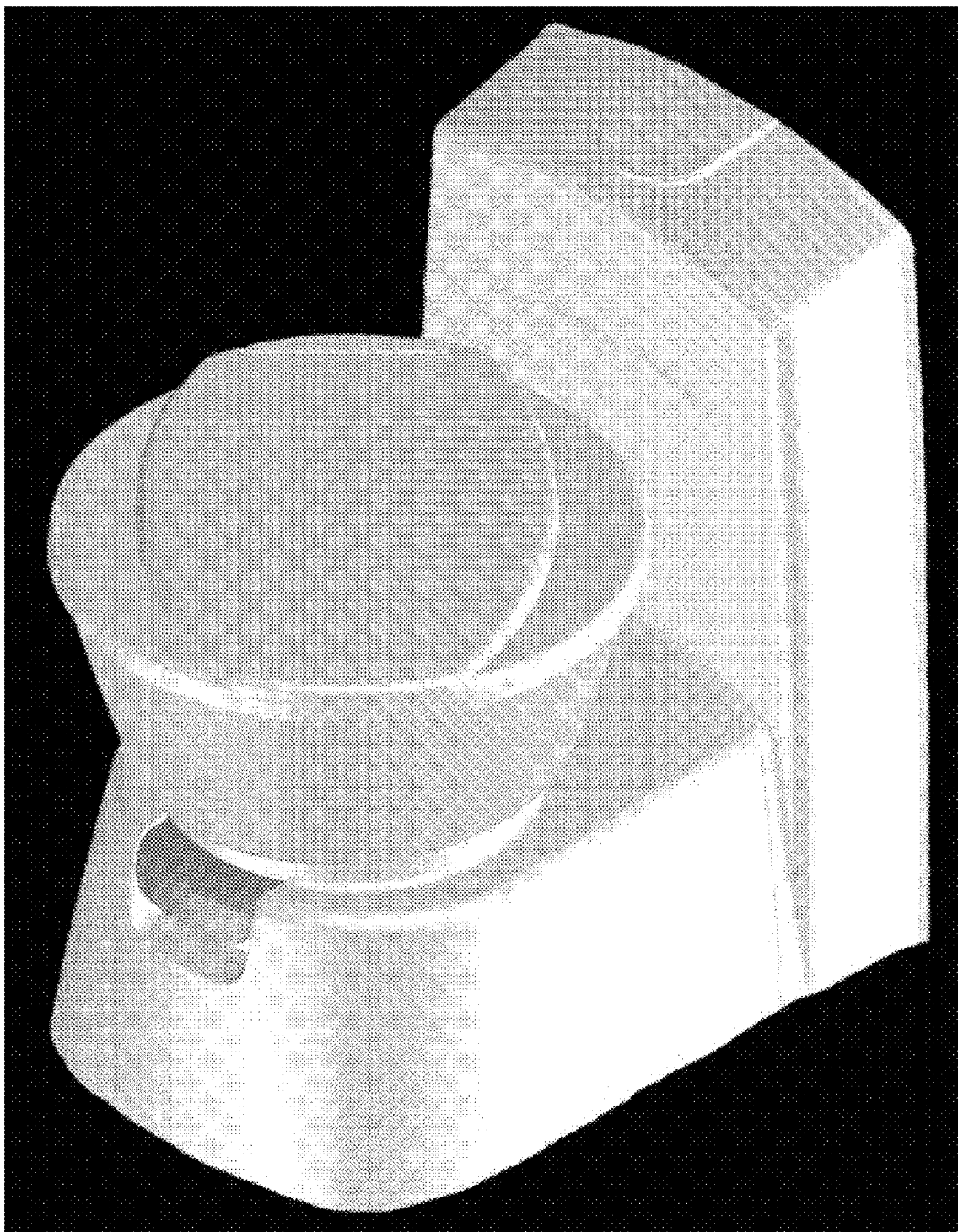


FIG. 2