



US00D769835S

(12) **United States Design Patent**  
**McCauley**

(10) **Patent No.:** **US D769,835 S**

(45) **Date of Patent:** **\*\* Oct. 25, 2016**

- (54) **RESONATOR COIL**
  - (71) Applicant: **WiTricity Corporation**, Watertown, MA (US)
  - (72) Inventor: **Alexander P. McCauley**, Cambridge, MA (US)
  - (73) Assignee: **WiTricity Corporation**, Watertown, MA (US)
  - (\*\*) Term: **15 Years**
  - (21) Appl. No.: **29/527,055**
  - (22) Filed: **May 15, 2015**
  - (51) **LOC (10) Cl.** ..... **13-03**
  - (52) **U.S. Cl.**  
USPC ..... **D13/182**
  - (58) **Field of Classification Search**  
USPC ..... D13/182  
CPC ..... G01R 33/34; G01R 33/34007; G01R 33/34015; G01R 33/34023; G01R 33/34038; G01R 33/34046; G01R 33/34053; G01R 33/34061; G01R 33/34069; G01R 33/34076; G01R 33/34084; G01R 33/34092; G01R 33/341; G01R 33/3415; G01R 15/181; H01F 6/00; H01F 6/06; H01F 5/00; H01F 5/003; H01F 5/04; H01F 5/06; H01F 27/28; H01F 27/2804; H01F 2027/329; H01F 27/32; H01F 27/321; H01F 27/322; H01F 27/323; H01F 27/324; H01F 27/325; H01F 41/122; H01F 41/04; H01F 41/041; H01F 41/048; H01F 41/06; H01F 41/061; H01F 41/063; H01F 41/064; H01F 41/066; H01F 41/068; H01F 41/069; H01F 41/07; H01F 41/071; H01F 41/12
- See application file for complete search history.

- 5,119,070 A \* 6/1992 Matsumoto ..... G06K 19/0672 257/E27.114
- 5,447,779 A \* 9/1995 Imaichi ..... G08B 13/2414 216/13
- 5,589,251 A \* 12/1996 Imaichi ..... G08B 13/2414 216/13
- 5,695,860 A \* 12/1997 Imaichi ..... G08B 13/2414 156/60
- D451,893 S 12/2001 Robson
- D452,220 S 12/2001 Robson
- D474,472 S 5/2003 Maekawa et al.
- D532,756 S 11/2006 Lai
- D532,757 S 11/2006 Lai
- D541,322 S 4/2007 Garrett et al.
- D545,769 S 7/2007 Branzell
- D545,855 S \* 7/2007 Garrett ..... D15/147
- 7,880,547 B2 2/2011 Lee et al.

(Continued)

*Primary Examiner* — Elizabeth J Oswecki  
(74) *Attorney, Agent, or Firm* — Fish & Richardson P.C.

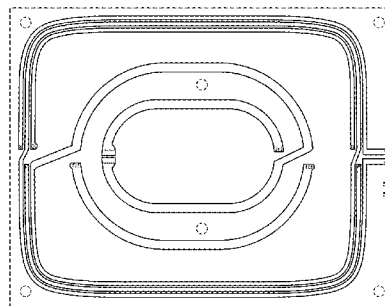
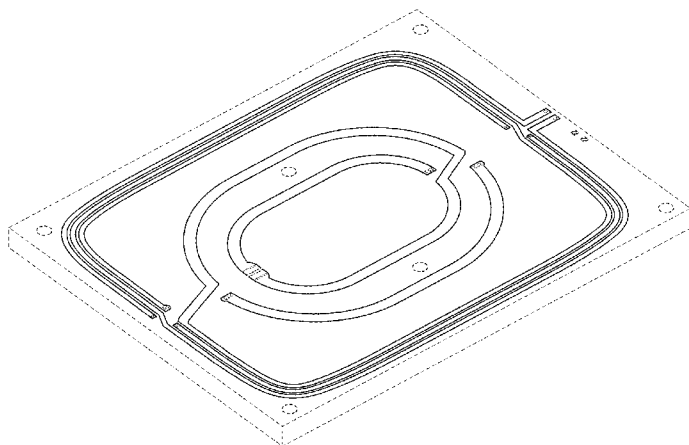
(57) **CLAIM**  
The ornamental design for a resonator coil, as shown and described.

**DESCRIPTION**

FIG. 1 is a perspective view of a resonator coil showing my new design.  
 FIG. 2 is a top plan view of the resonator coil of FIG. 1.  
 FIG. 3 is a bottom plan view of the resonator coil of FIG. 1.  
 FIG. 4 is a front elevation view of the resonator coil of FIG. 1.  
 FIG. 5 is a back elevation view of the resonator coil of FIG. 1.  
 FIG. 6 is a right side elevation view of the resonator coil of FIG. 1; and,  
 FIG. 7 is a left side elevation view of the resonator coil of FIG. 1.  
 The broken lines shown in the drawings represent unclaimed portions of the resonator coil and form no part of the claimed design.

**1 Claim, 3 Drawing Sheets**

- (56) **References Cited**  
U.S. PATENT DOCUMENTS
- 3,967,161 A \* 6/1976 Lichtblau ..... G06K 19/067 257/E27.114
- 5,108,822 A \* 4/1992 Imaichi ..... G08B 13/2414 29/592.1



(56)

References Cited

U.S. PATENT DOCUMENTS

D636,333 S	4/2011	Kulikowski	2012/0091794 A1	4/2012	Campanella et al.
8,035,255 B2	10/2011	Kurs et al.	2012/0091795 A1	4/2012	Fiorello et al.
8,106,539 B2	1/2012	Schatz et al.	2012/0091796 A1	4/2012	Kesler et al.
8,115,448 B2	2/2012	John	2012/0091797 A1	4/2012	Kesler et al.
8,304,935 B2	11/2012	Karalis et al.	2012/0091819 A1	4/2012	Kulikowski et al.
8,324,759 B2	12/2012	Karalis et al.	2012/0091820 A1	4/2012	Campanella et al.
8,400,017 B2	3/2013	Kurs et al.	2012/0091949 A1	4/2012	Campanella et al.
8,410,636 B2	4/2013	Kurs et al.	2012/0112535 A1	5/2012	Karalis et al.
8,441,154 B2	5/2013	Karalis et al.	2012/0112536 A1	5/2012	Karalis et al.
8,461,719 B2	6/2013	Kesler et al.	2012/0112538 A1	5/2012	Kesler et al.
8,461,720 B2	6/2013	Kurs et al.	2012/0112691 A1	5/2012	Kurs et al.
8,461,721 B2	6/2013	Karalis et al.	2012/0119569 A1	5/2012	Karalis et al.
8,461,722 B2	6/2013	Kurs et al.	2012/0119698 A1	5/2012	Karalis et al.
8,466,583 B2	6/2013	Karalis et al.	2012/0206096 A1	8/2012	John
8,471,410 B2	6/2013	Karalis et al.	2012/0223573 A1	9/2012	Schatz et al.
8,476,788 B2	7/2013	Karalis et al.	2012/0228952 A1	9/2012	Hall et al.
8,482,158 B2	7/2013	Kurs et al.	2012/0228953 A1	9/2012	Kesler et al.
8,487,480 B1	7/2013	Kesler et al.	2012/0228954 A1	9/2012	Kesler et al.
8,497,601 B2	7/2013	Hall et al.	2012/0235500 A1	9/2012	Ganem et al.
D692,010 S	10/2013	Verghese	2012/0235501 A1	9/2012	Kesler et al.
8,552,592 B2	10/2013	Schatz et al.	2012/0235502 A1	9/2012	Kesler et al.
8,569,914 B2	10/2013	Karalis et al.	2012/0235503 A1	9/2012	Kesler et al.
8,587,153 B2	11/2013	Schatz et al.	2012/0235504 A1	9/2012	Kesler et al.
8,587,155 B2	11/2013	Giler et al.	2012/0235566 A1	9/2012	Karalis et al.
8,598,743 B2*	12/2013	Hall	2012/0242159 A1	9/2012	Lou et al.
		B60L 11/182	2012/0248886 A1	10/2012	Kesler et al.
		307/104	2012/0248887 A1	10/2012	Kesler et al.
8,618,696 B2	12/2013	Kurs et al.	2012/0248888 A1	10/2012	Kesler et al.
D697,477 S	1/2014	Jonas, III	2012/0248981 A1	10/2012	Karalis et al.
8,629,578 B2	1/2014	Kurs et al.	2012/0256494 A1	10/2012	Kesler et al.
8,643,326 B2	2/2014	Campanella et al.	2012/0313449 A1	12/2012	Kurs et al.
D701,182 S	3/2014	Plant	2012/0313742 A1	12/2012	Kurs et al.
8,667,452 B2	3/2014	Verghese et al.	2013/0007949 A1	1/2013	Kurs et al.
8,669,676 B2	3/2014	Karalis et al.	2013/0020878 A1	1/2013	Karalis et al.
8,686,598 B2	4/2014	Schatz et al.	2013/0033118 A1	2/2013	Karalis et al.
8,692,410 B2	4/2014	Schatz et al.	2013/0038402 A1	2/2013	Karalis et al.
8,692,412 B2	4/2014	Fiorello et al.	2013/0057364 A1	3/2013	Kesler et al.
D705,745 S	5/2014	Kurs et al.	2013/0062966 A1	3/2013	Verghese et al.
8,716,903 B2	5/2014	Kurs et al.	2013/0069441 A1	3/2013	Verghese et al.
8,723,366 B2	5/2014	Fiorello et al.	2013/0069753 A1	3/2013	Kurs et al.
8,729,737 B2	5/2014	Schatz et al.	2013/0099587 A1	4/2013	Lou et al.
D709,855 S	7/2014	Jonas	2013/0154383 A1	6/2013	Kasturi et al.
8,772,973 B2	7/2014	Kurs	2013/0175874 A1	7/2013	Lou et al.
8,805,530 B2	8/2014	John	2013/0200721 A1	8/2013	Kurs et al.
8,847,548 B2	9/2014	Kesler et al.	2013/0221744 A1	8/2013	Hall et al.
8,875,086 B2	10/2014	Verghese et al.	2013/0278073 A1	10/2013	Kurs et al.
8,901,778 B2	12/2014	Kesler et al.	2013/0278074 A1	10/2013	Kurs et al.
8,901,779 B2	12/2014	Kesler et al.	2013/0278075 A1	10/2013	Kurs et al.
8,907,531 B2	12/2014	Hall et al.	2013/0307349 A1	11/2013	Hall et al.
8,912,687 B2	12/2014	Kesler et al.	2013/0334892 A1	12/2013	Hall et al.
8,922,066 B2	12/2014	Kesler et al.	2014/0002012 A1	1/2014	McCauley et al.
8,928,276 B2	1/2015	Kesler et al.	2014/0021798 A1	1/2014	Kesler et al.
8,933,594 B2	1/2015	Kurs et al.	2014/0035378 A1	2/2014	Kesler et al.
8,937,408 B2	1/2015	Ganem et al.	2014/0035704 A1	2/2014	Efe et al.
D722,048 S	2/2015	Kurs et al.	2014/0044281 A1	2/2014	Ganem et al.
8,946,938 B2	2/2015	Kesler et al.	2014/0044293 A1	2/2014	Ganem et al.
8,947,186 B2	2/2015	Kurs et al.	2014/0049118 A1	2/2014	Karalis et al.
8,957,549 B2	2/2015	Kesler et al.	2014/0084703 A1	3/2014	Hall et al.
8,963,488 B2	2/2015	Campanella et al.	2014/0084859 A1	3/2014	Hall et al.
9,035,499 B2	5/2015	Kesler et al.	2014/0091636 A1	4/2014	Ofstein et al.
D734,731 S	7/2015	Kurs	2014/0091756 A1	4/2014	Ofstein et al.
9,105,959 B2*	8/2015	Kesler	2014/0103738 A1	4/2014	Campanella et al.
2002/0089405 A1*	7/2002	Jitaru	2014/0111019 A1	4/2014	Roy et al.
		B60L 11/182	2014/0111154 A1	4/2014	Roy et al.
		H01F 27/2804	2014/0139037 A1	5/2014	John et al.
		336/200	2014/0142876 A1	5/2014	John et al.
2008/0253149 A1	10/2008	Matumoto	2014/0159652 A1	6/2014	Hall et al.
2010/0219694 A1	9/2010	Kurs et al.	2014/0175892 A1	6/2014	Jonas et al.
2010/0259110 A1	10/2010	Kurs et al.	2014/0175898 A1	6/2014	Kurs et al.
2010/0277121 A1	11/2010	Hall et al.	2014/0225449 A1	8/2014	Kurs et al.
2011/0043049 A1	2/2011	Karalis et al.	2014/0265555 A1	9/2014	Hall et al.
2011/0074346 A1	3/2011	Hall et al.	2014/0265617 A1	9/2014	Roy et al.
2011/0095618 A1	4/2011	Schatz et al.	2014/0312707 A1	10/2014	Fiorello et al.
2012/0007441 A1	1/2012	John	2014/0327320 A1	11/2014	Muhs et al.
2012/0032522 A1	2/2012	Schatz et al.	2014/0339910 A1	11/2014	Sealy
2012/0062345 A1	3/2012	Kurs et al.	2014/0361627 A1	12/2014	Kurs et al.
2012/0086284 A1	4/2012	Capanella et al.	2015/0008761 A1	1/2015	Kesler et al.
2012/0086867 A1	4/2012	Kesler et al.	2015/0051750 A1	2/2015	Kurs et al.
			2015/0057496 A1	2/2015	Schatz et al.

(56)

**References Cited**

U.S. PATENT DOCUMENTS

2015/0061404 A1 3/2015 Lamenza et al.  
2015/0069831 A1 3/2015 Kesler et al.  
2015/0073768 A1 3/2015 Kurs et al.

2015/0080981 A1 3/2015 John  
2015/0088129 A1 3/2015 Ganem et al.  
2015/0115733 A1 4/2015 Sealy et al.  
2015/0123484 A1 5/2015 Kurs et al.

\* cited by examiner

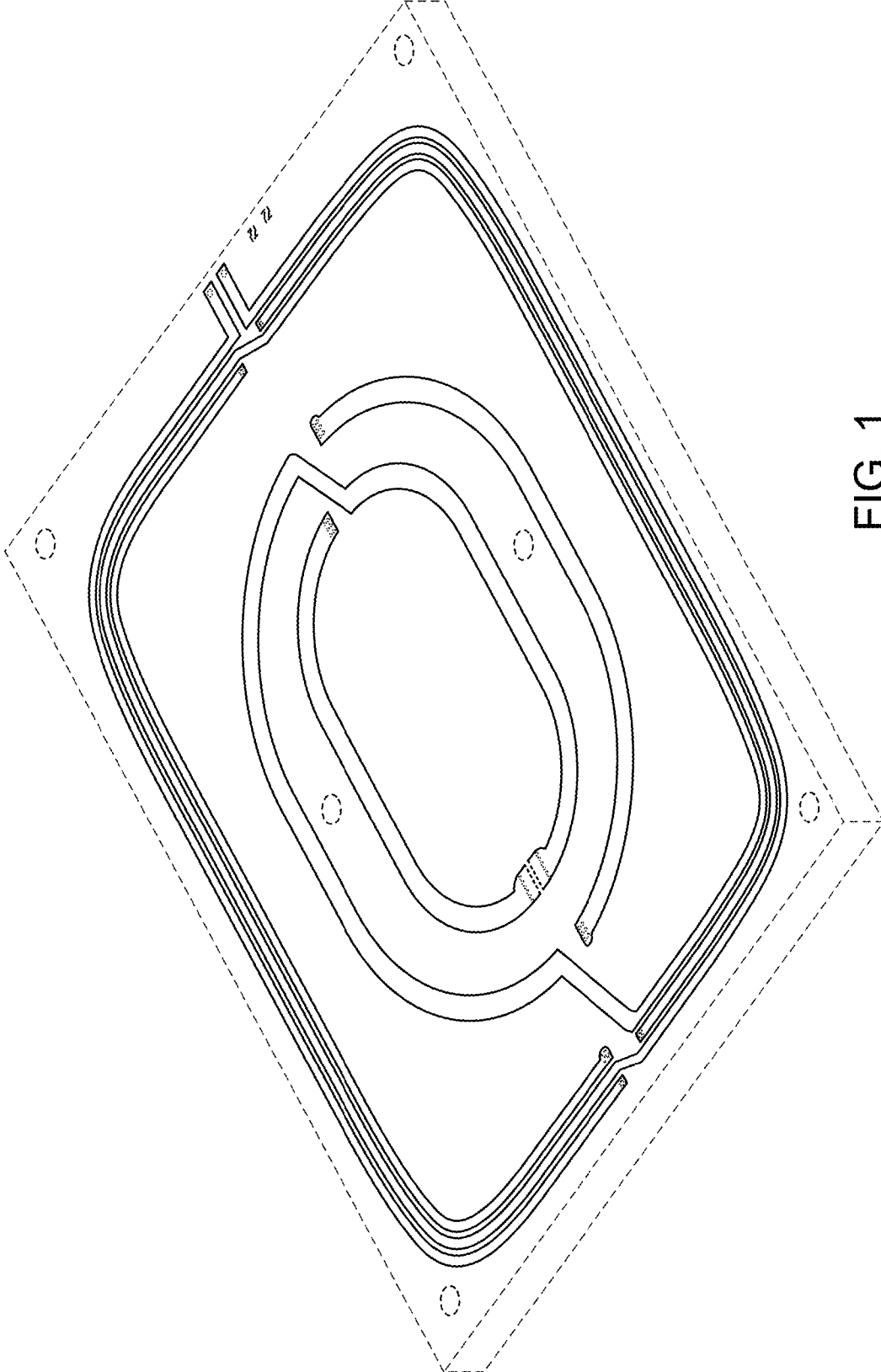


FIG. 1

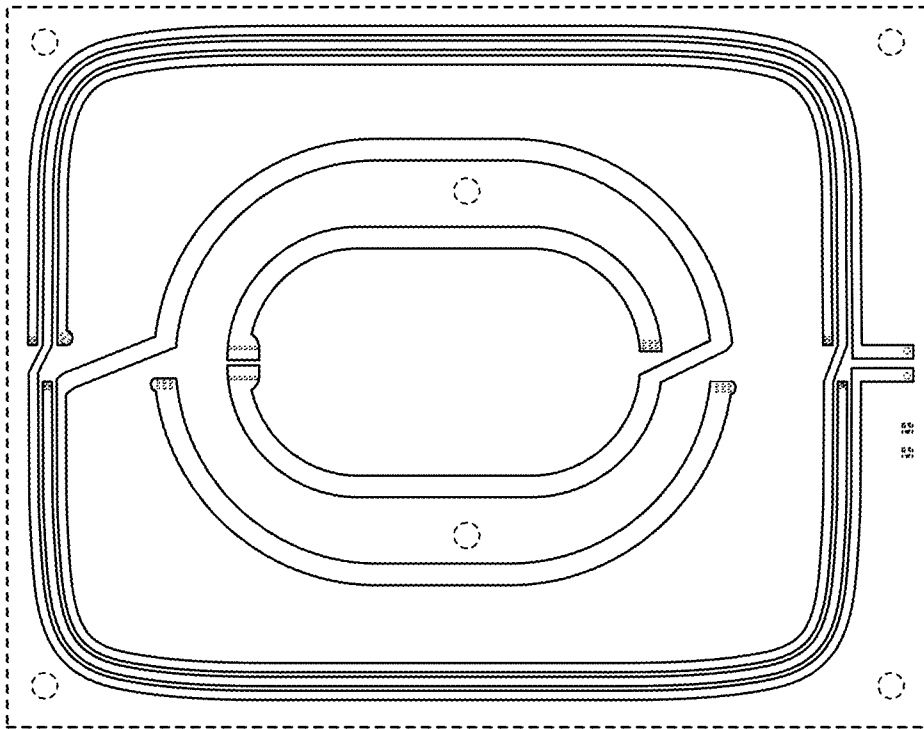


FIG. 2

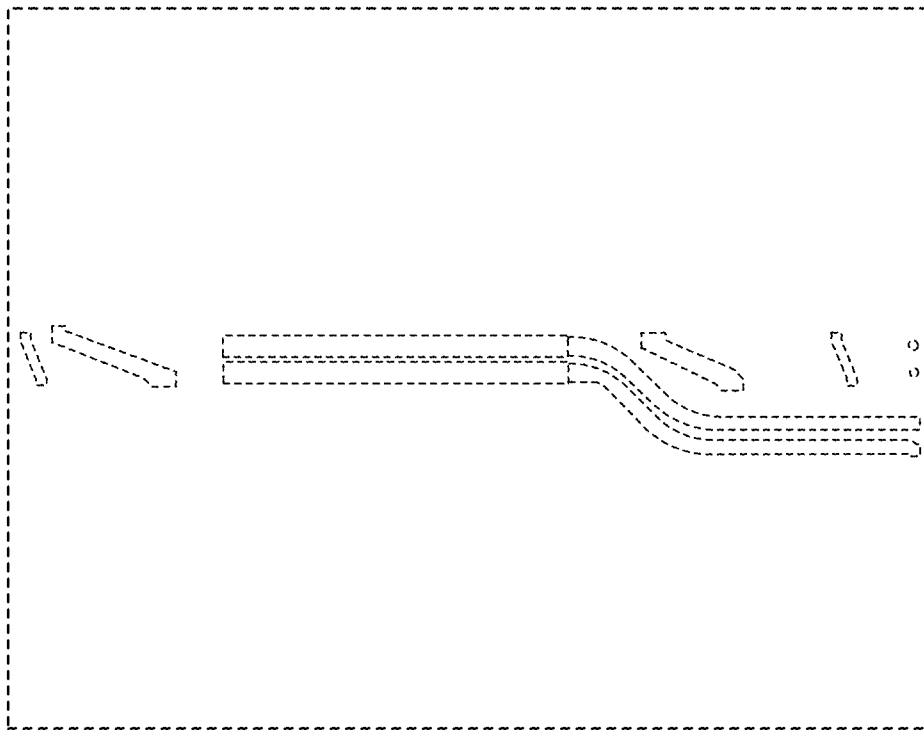


FIG. 3



FIG. 4



FIG. 5

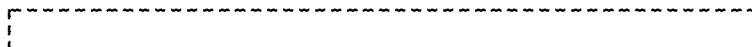


FIG. 6

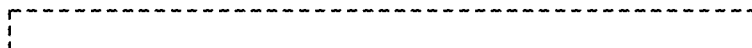


FIG. 7