

United States Patent [19]

James

[11] Patent Number: Des. 299,535

[45] Date of Patent: ** Jan. 24, 1989

[54] BABY BOTTLE SUPPORT

[76] Inventor: Carol James, 404 NW. Pleasant View Dr., Grants Pass, Oreg. 97526

[**] Term: 14 Years

[21] Appl. No.: 857,814

[22] Filed: Apr. 28, 1986

[52] U.S. Cl. D24/48; D7/70

[58] Field of Search D24/48, 47; 248/102, 248/103, 104, 105, 106; D7/70, 71; D9/455

[56] **References Cited**

U.S. PATENT DOCUMENTS

D. 147,493 9/1947 D'ver D9/455
D. 182,353 3/1958 Brandeis D7/70
D. 188,398 7/1960 Bissell, Jr. D7/70
1,249,341 12/1917 Cropsey 248/139

2,342,051 2/1944 Hyams 248/106
2,348,816 5/1944 Hyams 248/106
2,397,059 3/1946 Swank D24/48 X
2,807,430 9/1957 Medlock 248/106
2,948,499 8/1960 Manny D24/48 X
3,286,969 11/1966 Frescobaldi 248/359

Primary Examiner—Wallace R. Burke

Assistant Examiner—Stella M. Reid

Attorney, Agent, or Firm—Terry M. Gernstein

[57] **CLAIM**

The ornamental design for a baby bottle support, substantially as shown and described.

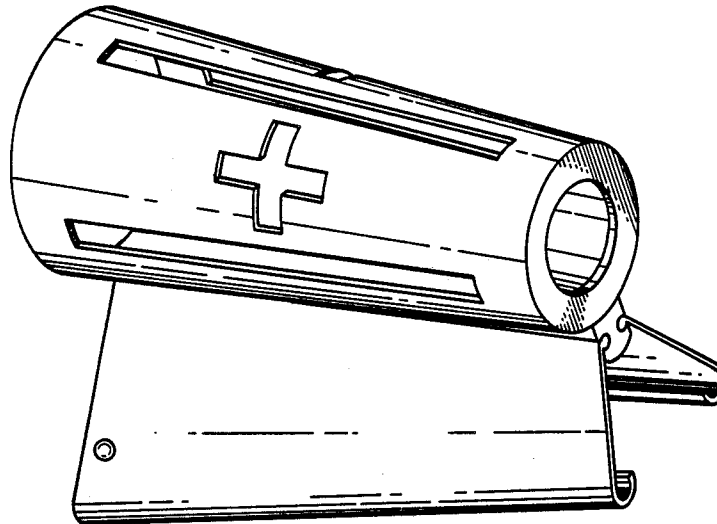
DESCRIPTION

FIG. 1 is a top right perspective view of a baby bottle support, showing my new design;

FIG. 2 is a top perspective view thereof;

FIG. 3 is a bottom perspective view thereof; and

FIG. 4 is a side elevational view thereof.



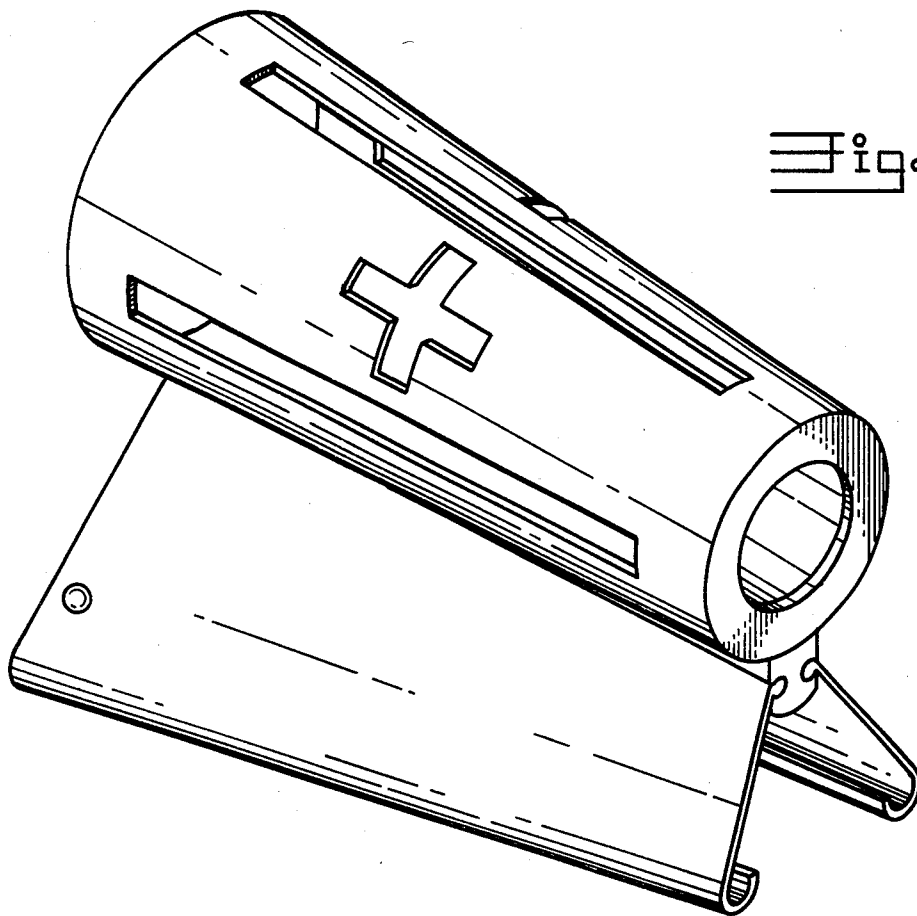


Fig. 1

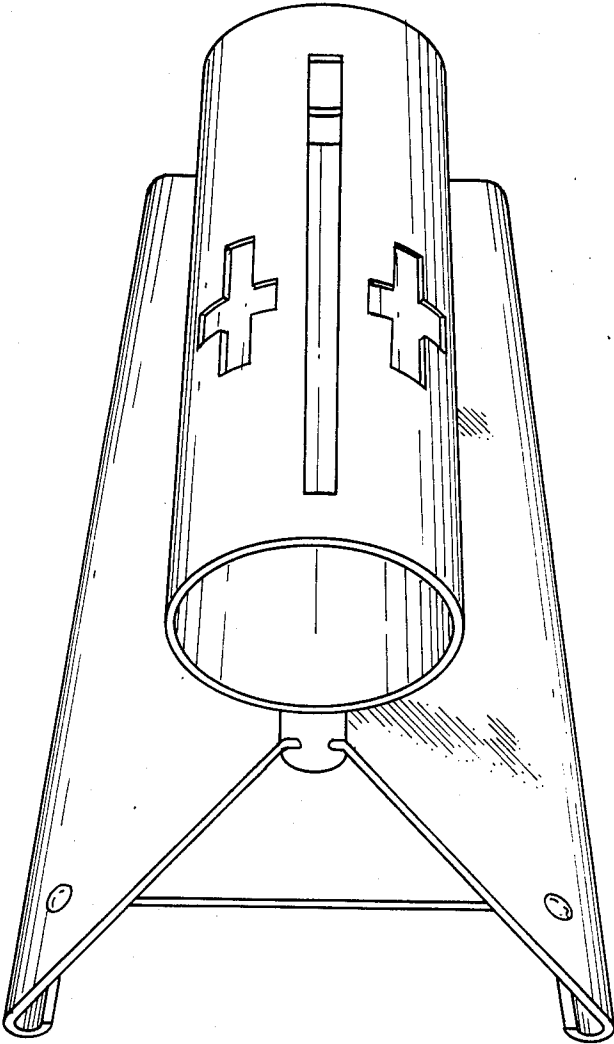


Fig. 2

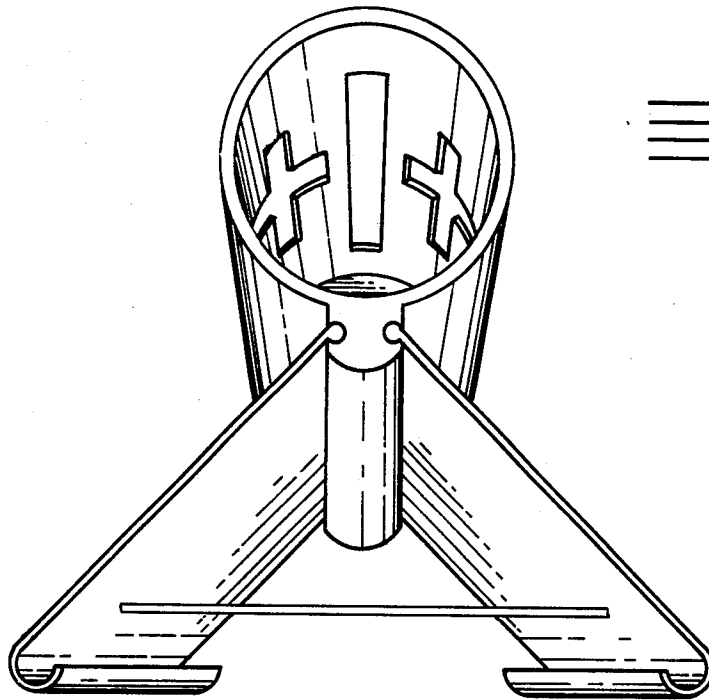


Fig. 3

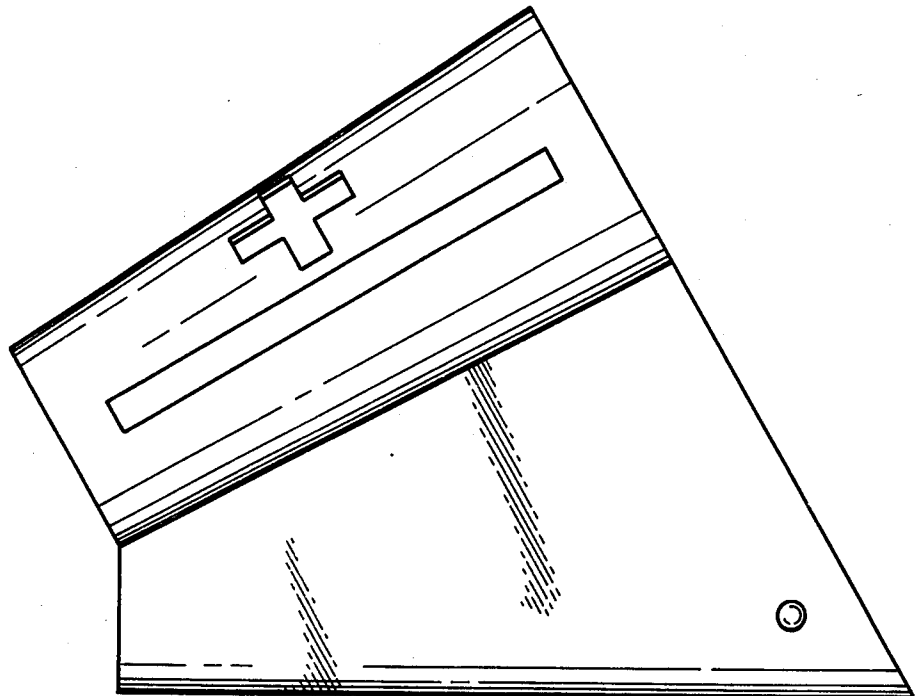


Fig. 4