



US00D756243S

(12) **United States Design Patent**  
**Giannini**

(10) **Patent No.:** **US D756,243 S**

(45) **Date of Patent:** **\*\* May 17, 2016**

(54) **WRISTWATCH**

(71) Applicant: **LUXURY GOODS INTERNATIONAL (L.G.I.) SA,**  
Cortailod (CH)

(72) Inventor: **Frida Giannini,** Florence (IT)

(73) Assignee: **LUXURY GOODS INTERNATIONAL (L.G.I.) SA,**  
Cortailod (CH)

(\*\*) Term: **14 Years**

(21) Appl. No.: **29/496,171**

(22) Filed: **Jul. 10, 2014**

(30) **Foreign Application Priority Data**

Jan. 13, 2014 (CH) ..... 140373

(51) **LOC (10) Cl.** ..... **10-02**

(52) **U.S. Cl.**

USPC ..... **D10/32; D10/39; D10/125**

(58) **Field of Classification Search**

USPC ..... D10/30-39, 1-29, 122-132; D11/3

CPC ..... G04B 19/00; G04B 19/04; G04B 19/06;

G04B 19/08; G04B 19/10; G04B 19/106;

G04B 19/24; G04B 37/00; G04B 37/0008;

G04B 37/0058; G04B 37/1486; G04B 45/00;

G04B 45/0069; A44C 5/00; A44C 5/02;

A44C 5/025; A44C 5/22; A44C 5/24

See application file for complete search history.

(56) **References Cited**

**U.S. PATENT DOCUMENTS**

2,188,471 A \* 1/1940 Bridler ..... A44C 5/24  
224/170

|                   |         |              |       |                         |
|-------------------|---------|--------------|-------|-------------------------|
| D274,503 S *      | 7/1984  | Bulgari      | ..... | D10/32                  |
| 4,825,427 A *     | 4/1989  | Wollman      | ..... | G04B 37/1486<br>368/281 |
| D361,283 S *      | 8/1995  | Bulgari      | ..... | D10/30                  |
| D404,319 S *      | 1/1999  | Deleskiewicz | ..... | D10/30                  |
| D407,334 S *      | 3/1999  | Stoll        | ..... | D10/30                  |
| D423,374 S *      | 4/2000  | Deleskiewicz | ..... | D10/32                  |
| D432,438 S *      | 10/2000 | Lassigne     | ..... | D10/32                  |
| D440,886 S *      | 4/2001  | Burgener     | ..... | D10/32                  |
| D443,531 S *      | 6/2001  | Bulgari      | ..... | D10/32                  |
| D476,582 S *      | 7/2003  | Sugiura      | ..... | D10/32                  |
| D574,261 S *      | 8/2008  | Dreyfuss     | ..... | D10/32                  |
| D592,977 S *      | 5/2009  | Furetta      | ..... | D10/32                  |
| 2012/0051193 A1 * | 3/2012  | Yu           | ..... | G04G 17/06<br>368/204   |

\* cited by examiner

*Primary Examiner* — Martie K Holtje

(74) *Attorney, Agent, or Firm* — Sughrue Mion, PLLC

(57) **CLAIM**

The ornamental design for a wristwatch, as shown and described.

**DESCRIPTION**

FIG. 1 is a right front perspective view of a wristwatch showing my new design;

FIG. 2 is a front view thereof;

FIG. 3 is a rear view thereof;

FIG. 4 is top plan view thereof;

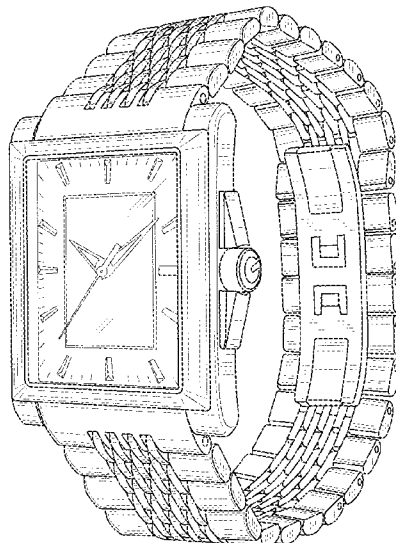
FIG. 5 is a bottom plan view thereof;

FIG. 6 is a right side view thereof; and,

FIG. 7 is a left side view thereof.

The structural features depicted by broken lines in FIG. 3 have been shown for the purpose of illustrating portions of the wristwatch that form no part of the claimed design.

**1 Claim, 7 Drawing Sheets**



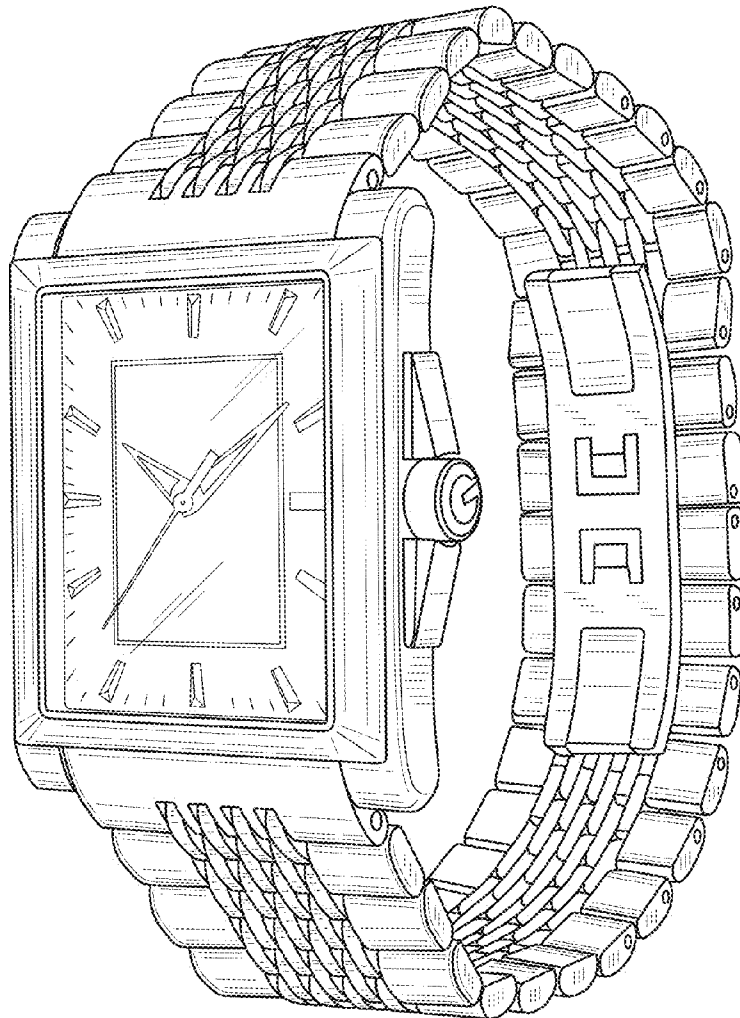


FIG. 1

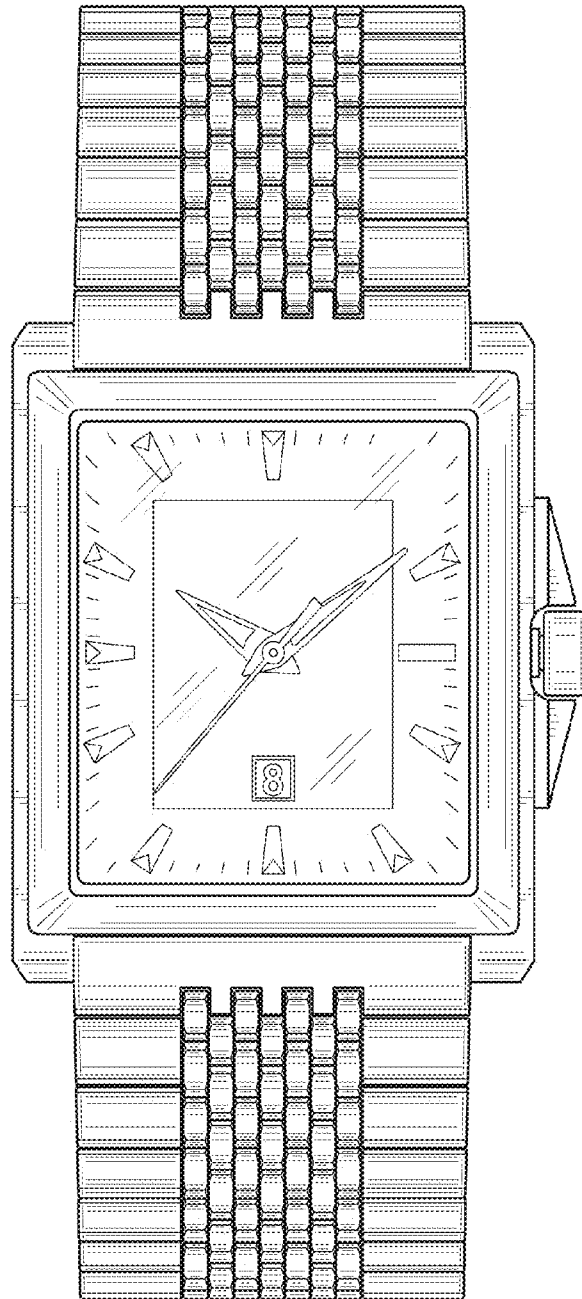


FIG. 2

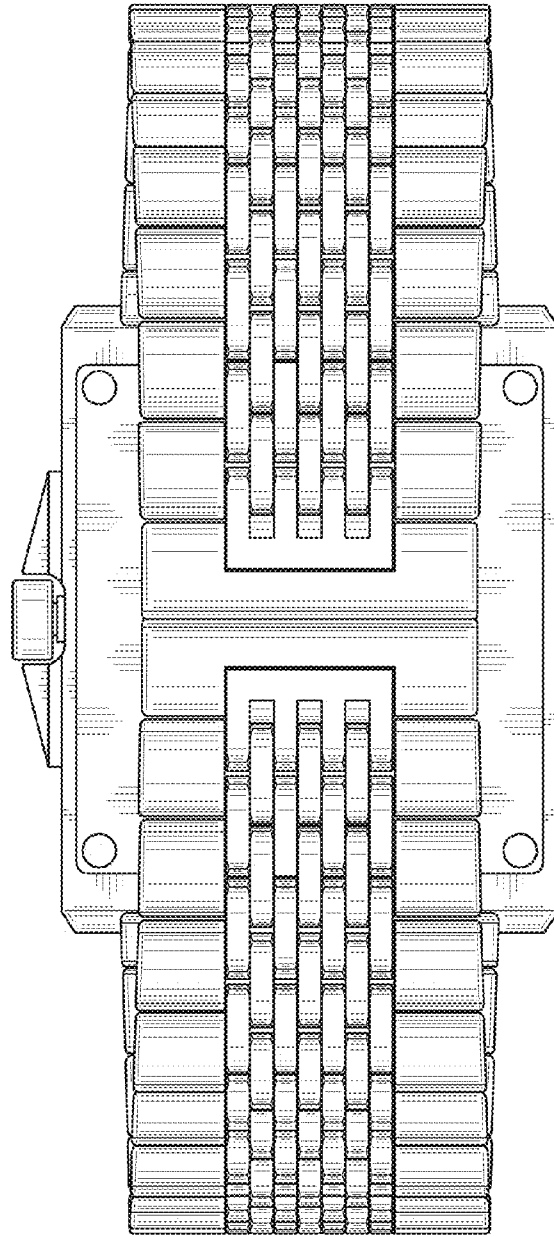


FIG. 3

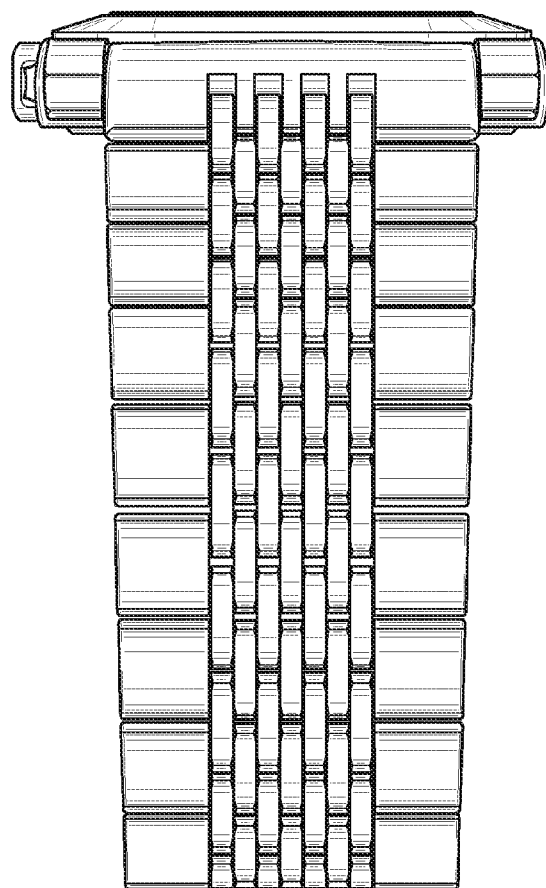


FIG. 4

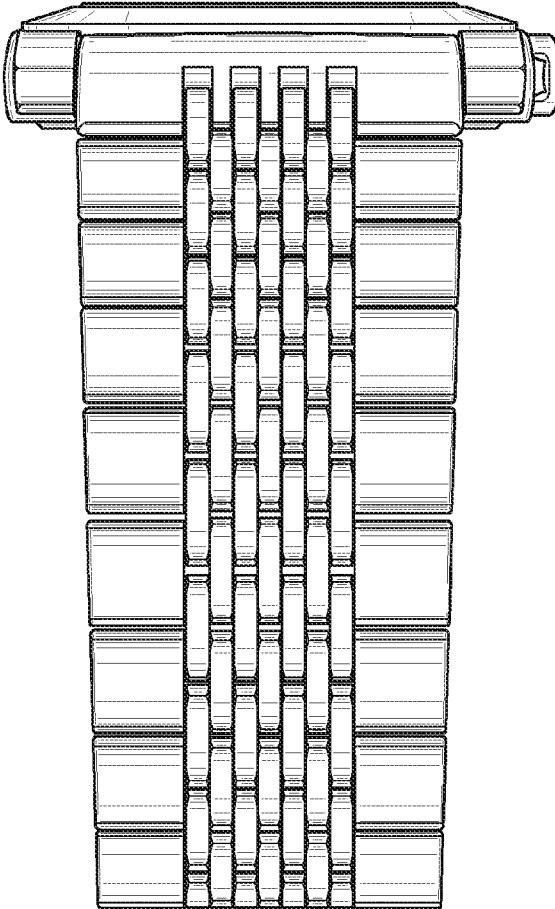


FIG. 5

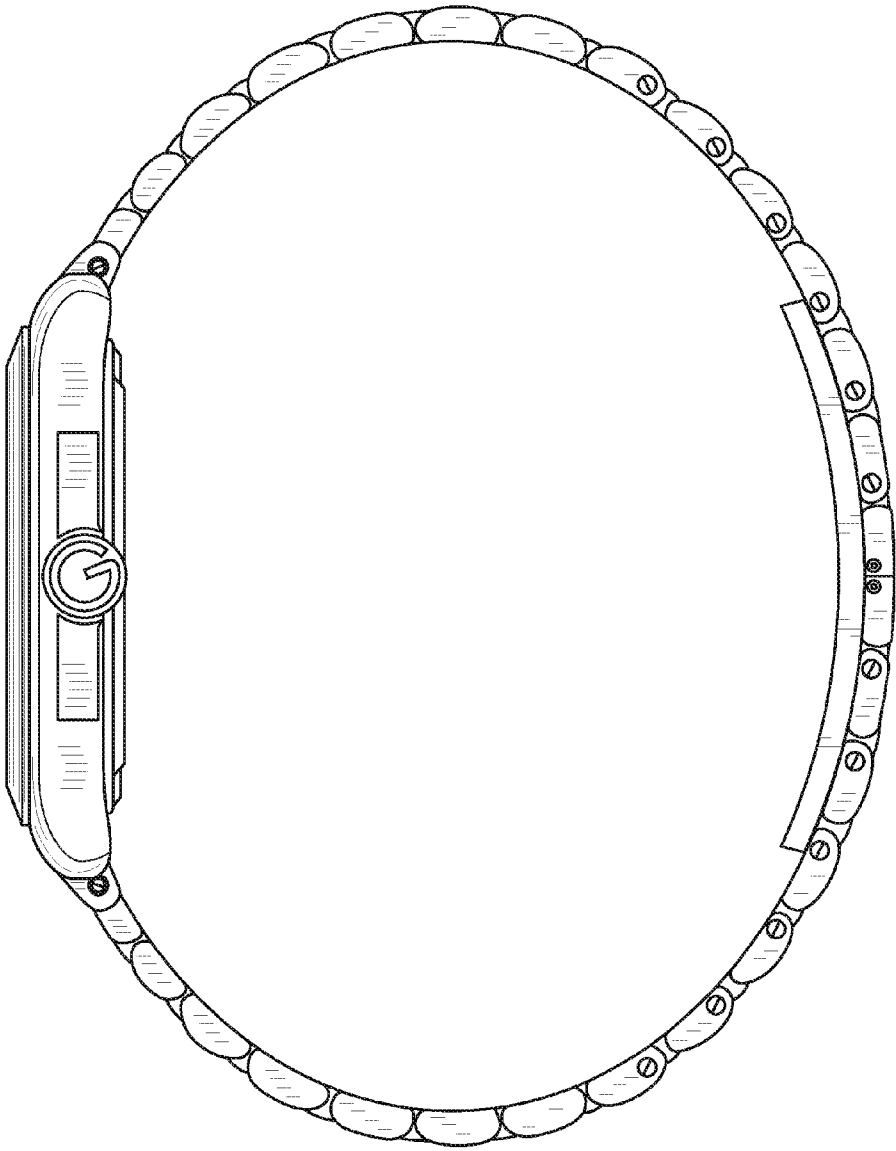


FIG. 6

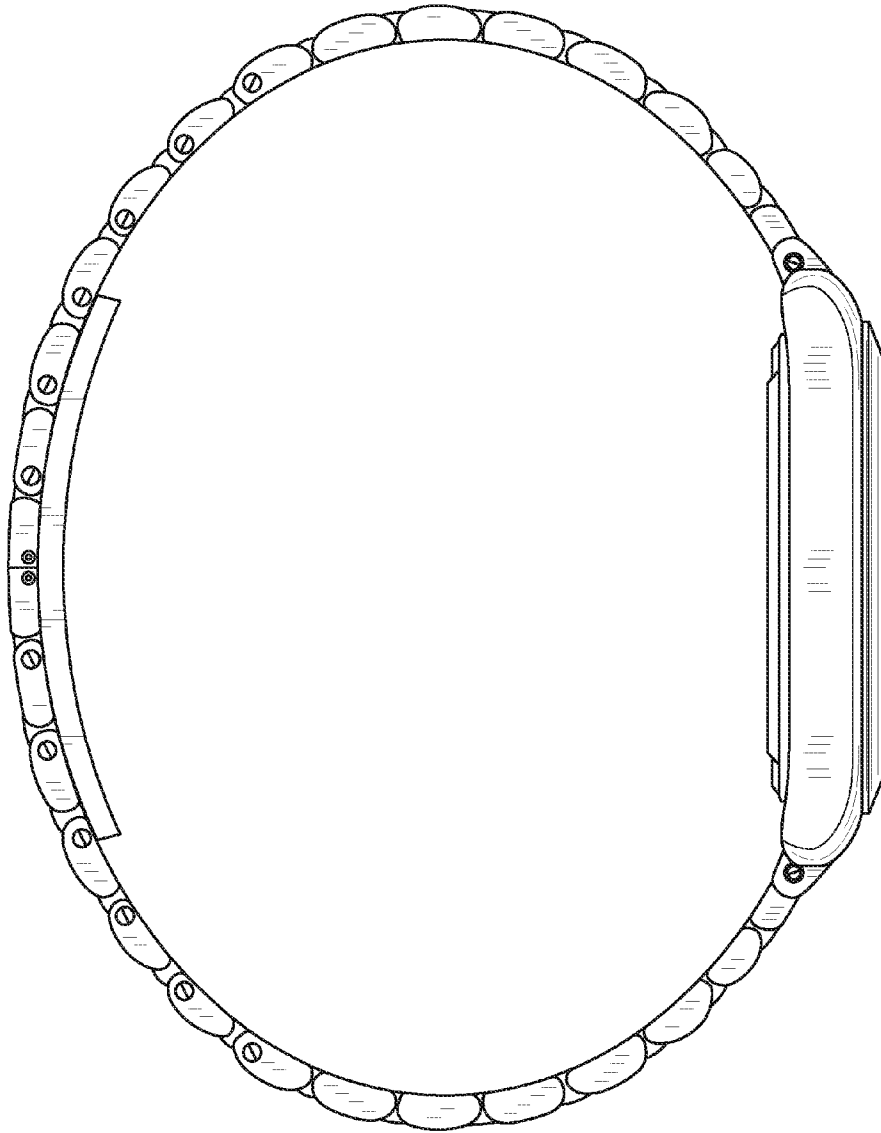


FIG. 7