



US00D855413S

(12) **United States Design Patent** (10) **Patent No.:** **US D855,413 S**
Cross et al. (45) **Date of Patent:** **** Aug. 6, 2019**

(54) **NAPKIN DISPENSER**
(71) Applicant: **GPCP IP HOLDINGS LLC**, Atlanta, GA (US)

D635,805 S * 4/2011 Pleyber D6/518
D692,730 S * 11/2013 Wilson, Jr. D7/631
D745,336 S * 12/2015 Rittfeldt D7/631
2014/0319164 A1 10/2014 Wilson et al.
2015/0048104 A1 2/2015 Wilson et al.

(72) Inventors: **Brandon Seth Cross**, Atlanta, GA (US); **Melissa Ann Altenhofen**, Chicago, IL (US)

FOREIGN PATENT DOCUMENTS

(73) Assignee: **GPCP IP Holdings LLC**, Atlanta, GA (US)

CA 2855907 A1 5/2013
EM 000392998-0001 A1 10/2005
EM 000506043-0001 A1 5/2006
EP 2850984 A2 3/2015
EP 2850985 B1 4/2016
WO 2013/064165 A2 5/2013

(**) Term: **15 Years**

* cited by examiner

(21) Appl. No.: **29/619,790**

Primary Examiner — Derrick E Holland

(22) Filed: **Oct. 2, 2017**

Assistant Examiner — Janice Patyk

(51) **LOC (12) Cl.** **07-06**

(57) **CLAIM**

(52) **U.S. Cl.**
USPC **D7/631**

The ornamental design for a napkin dispenser, as shown and described.

(58) **Field of Classification Search**
USPC D3/273, 274; D7/631, 637-641, 550.1; D9/420-426, 432; D19/77, 81-86; 206/553, 557, 562, 564; 211/60.1, 70.1, 211/70.7; 220/23.83
CPC A47G 21/06; A47G 21/14; A47G 29/08; B65D 43/169; B65D 45/00; B67B 7/16; B67B 7/44

DESCRIPTION

See application file for complete search history.

FIG. 1 is a front perspective view of a napkin dispenser, showing our new design;
FIG. 2 is a rear perspective view thereof;
FIG. 3 is a left side, front perspective view thereof;
FIG. 4 is a right side, front perspective view thereof;
FIG. 5 is a top perspective view thereof;
FIG. 6 is a bottom perspective view thereof;
FIG. 7 is a front elevation view thereof;
FIG. 8 is a back elevation view thereof;
FIG. 9 is a left side perspective view thereof;
FIG. 10 is a right side perspective view thereof;
FIG. 11 is a top plan view thereof; and,
FIG. 12 is a bottom plan view thereof.

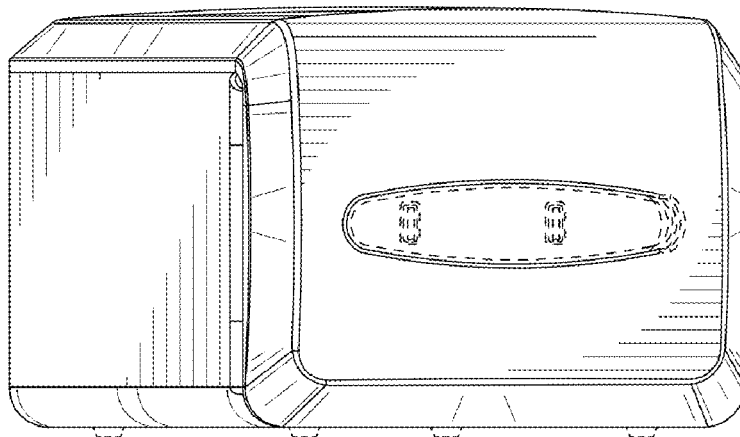
The broken lines in the figures illustrate the portions of the design that form no part of the claimed design.

(56) **References Cited**

U.S. PATENT DOCUMENTS

D336,597 S 6/1993 Renquist et al.
D371,708 S * 7/1996 Haley D6/518
D526,859 S * 8/2006 Zeiron D7/631
D527,587 S * 9/2006 Zeiron D7/631
D528,871 S * 9/2006 Zeiron D7/631
D550,517 S 9/2007 Neveu et al.
D552,428 S * 10/2007 Zeiron D7/631

1 Claim, 6 Drawing Sheets



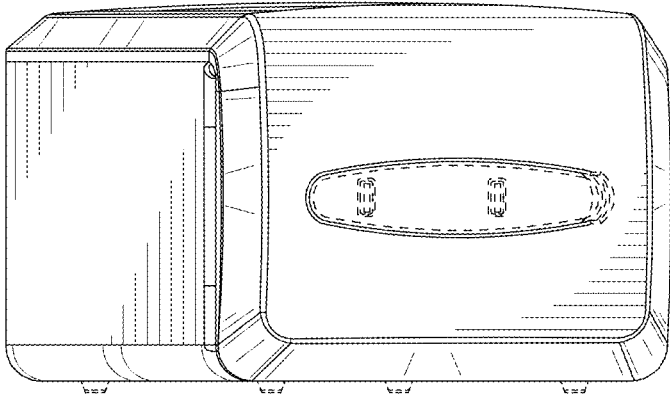


FIG. 1

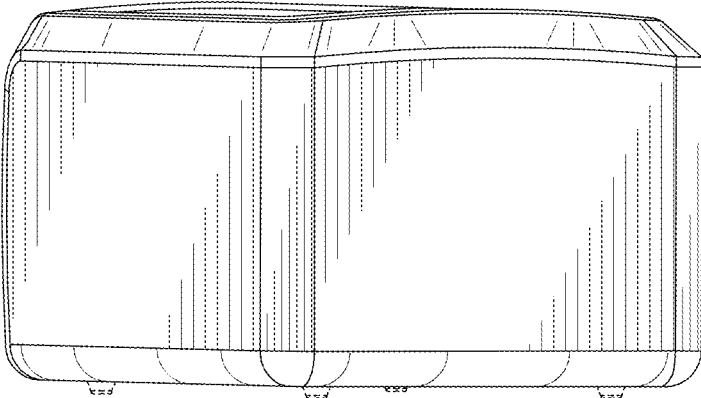


FIG. 2

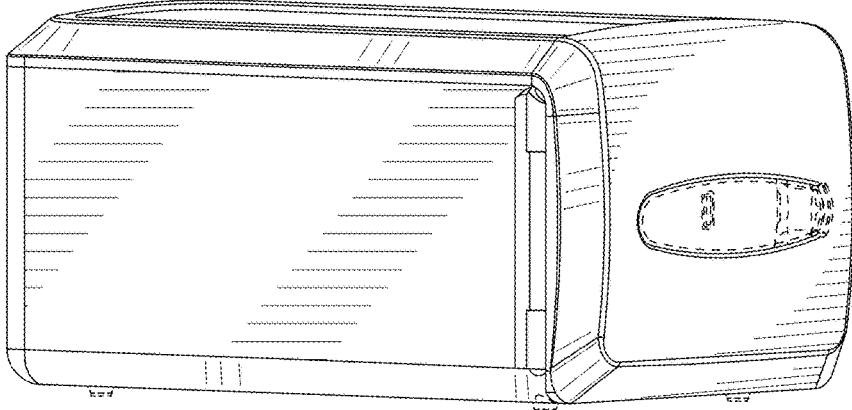


FIG. 3

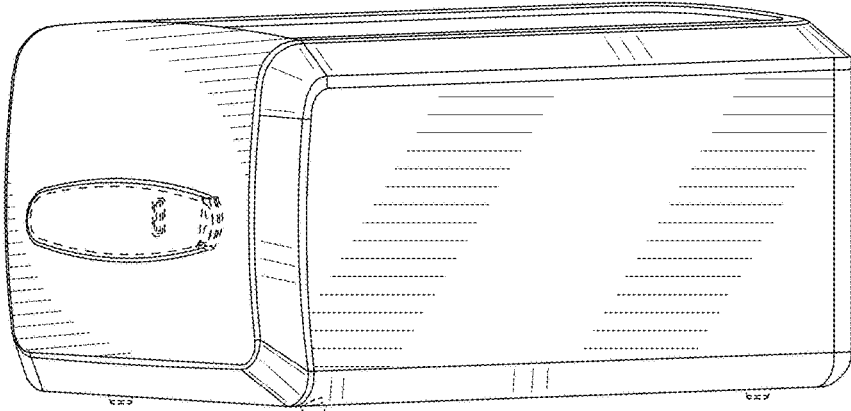


FIG. 4

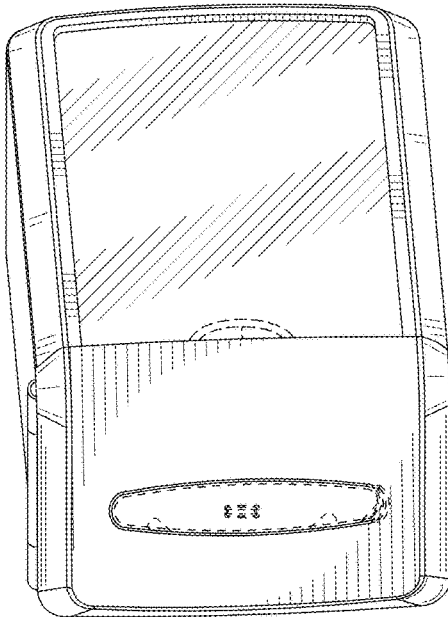


FIG. 5

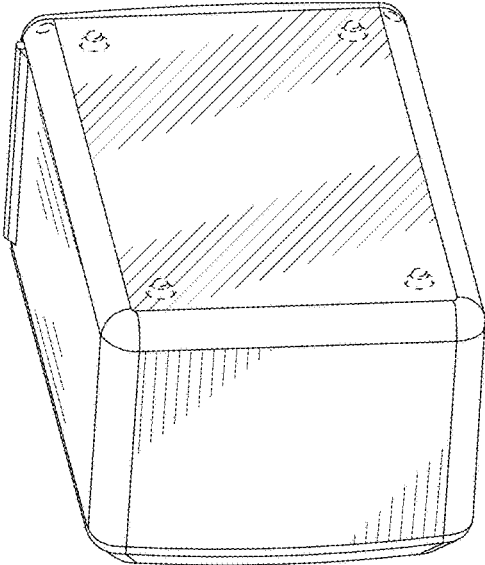


FIG. 6

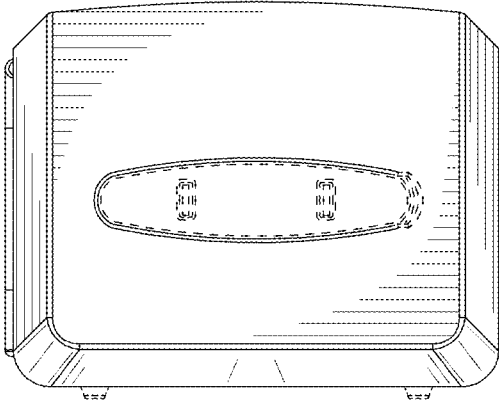


FIG. 7

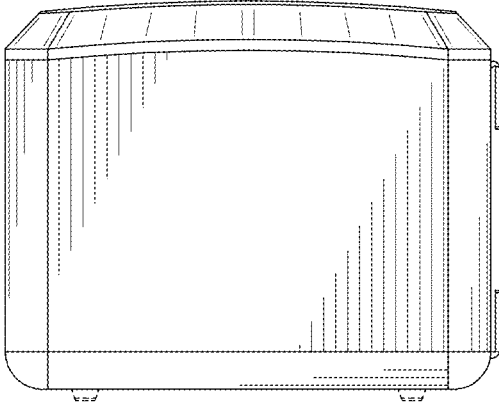


FIG. 8

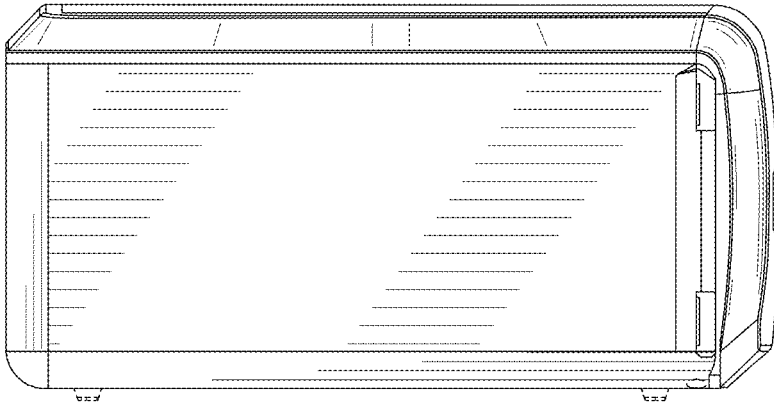


FIG. 9

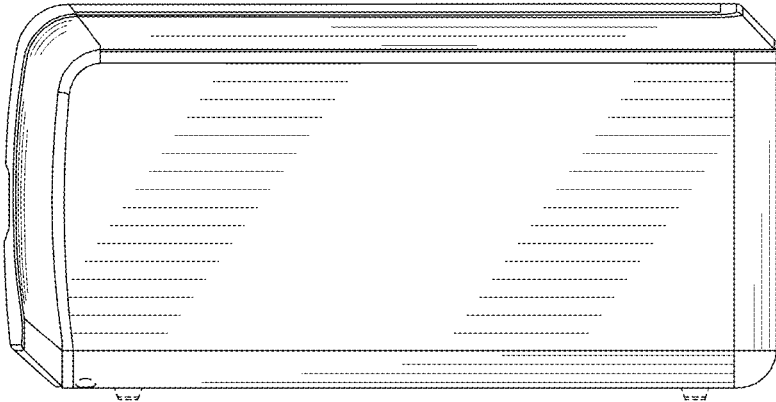


FIG. 10

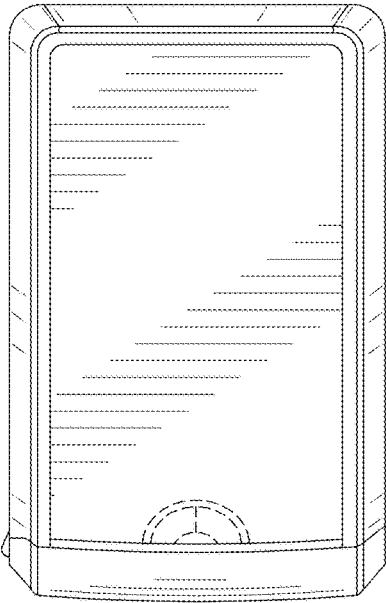


FIG. 11

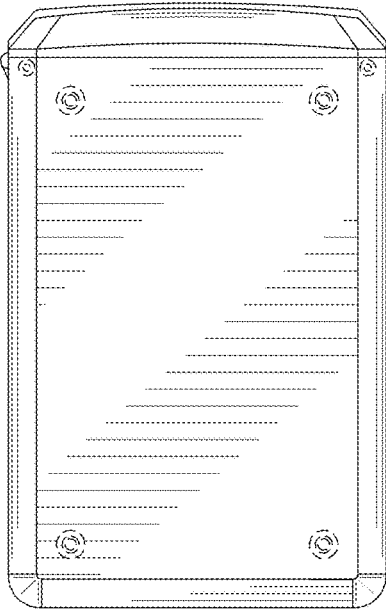


FIG. 12