



US00D520697S

(12) **United States Design Patent**
Angeletta

(10) **Patent No.:** **US D520,697 S**

(45) **Date of Patent:** **** May 9, 2006**

(54) **MULTI-PURPOSE INTERCHANGEABLE
LIQUID AND LOTION SCRUBBING
ARRANGEMENT**

(76) Inventor: **Joseph G. Angeletta**, 418 Fifth St.,
Mamaroneck, NY (US) 10543

(**) Term: **14 Years**

(21) Appl. No.: **29/234,268**

(22) Filed: **Jul. 15, 2005**

Related U.S. Application Data

(62) Division of application No. 29/183,466, filed on Jun. 12,
2003.

(51) **LOC (8) Cl.** **04-01**

(52) **U.S. Cl.** **D32/40**

(58) **Field of Classification Search** D32/40,
D32/42, 35, 46, 49; 15/105, 111, 142.1, 117,
15/118, 121, 144.3, 144.4, 236.01, 236.02,
15/236.05, 236.06; D4/118, 137

See application file for complete search history.

(56) **References Cited**

U.S. PATENT DOCUMENTS

723,462	A	*	3/1903	Hart	15/244.4
1,705,998	A	*	3/1929	Reid	15/244.2
1,840,812	A	*	1/1932	Hardy	601/155
D101,784	S	*	11/1936	Kurtz	D32/45
2,090,814	A	*	8/1937	Seybert	15/230.14
2,364,319	A	*	12/1944	Schimel	15/229.13
2,829,393	A	*	4/1958	Turcotte et al.	401/207
2,853,730	A	*	9/1958	Belsky et al.	15/209.1
3,014,318	A	*	12/1961	Manchester et al.	15/230
3,171,151	A	*	3/1965	Sickle et al.	15/118
D280,449	S	*	9/1985	Colognori	D28/91.2
D283,067	S	*	3/1986	McLin	D32/45
D295,911	S	*	5/1988	Zogg	D32/40
D315,236	S	*	3/1991	Kraselsky et al.	D32/40
5,388,700	A	*	2/1995	Per-Lee	206/581
D374,557	S	*	10/1996	Whitaker	D4/120
D374,947	S	*	10/1996	Chiaromonte	D28/7
D378,322	S	*	3/1997	Young	D4/118

D381,771	S	*	7/1997	Chern	D28/63
D384,436	S	*	9/1997	Kelley	D28/7
D388,571	S	*	12/1997	Campbell	D32/42
D404,125	S	*	1/1999	Weinstein	D24/119
D410,110	S	*	5/1999	Roland	D28/7
D429,889	S	*	8/2000	Fielding	D4/118
D440,770	S	*	4/2001	Chen	D4/137
6,216,306	B1	*	4/2001	Esterson et al.	15/111
D466,307	S	*	12/2002	Cantrell	D4/118
D490,614	S	*	6/2004	Katz et al.	D4/127
D496,511	S	*	9/2004	Colburn et al.	D32/45
D498,337	S	*	11/2004	Minkley et al.	D32/40
D502,301	S	*	2/2005	Hay	D32/52
D505,528	S	*	5/2005	Burt et al.	D32/40
D509,935	S	*	9/2005	Burt	D32/40

* cited by examiner

Primary Examiner—Cynthia E. Ramirez

(74) *Attorney, Agent, or Firm*—Scully, Scott, Murphy &
Presser

(57) **CLAIM**

The ornamental design for a multi-purpose interchangeable
liquid and lotion scrubbing arrangement, as shown and
described.

DESCRIPTION

FIG. 1 illustrates a bottom view of a round applicator portion of the multi-purpose interchangeable liquid and lotion scrubbing arrangement showing my new and ornamental design; FIG. 2 illustrates a bottom plan view thereof; FIG. 3 illustrates a side view thereof; FIG. 4 illustrates a perspective view thereof; FIG. 5 illustrates a plan view of a rectangular applicator portion; FIG. 6 illustrates a bottom plan view thereof; FIG. 7 illustrates a side view thereof; FIG. 8 illustrates an end view thereof; FIG. 9 illustrates a perspective bottom view thereof; FIG. 10 illustrates a plan view of a teardrop-shaped applicator portion; FIG. 11 illustrates a bottom plan view thereof; FIG. 12 illustrates a side view thereof; FIG. 13 illustrates an end view thereof; FIG. 14 illustrates a bottom perspective view thereof;

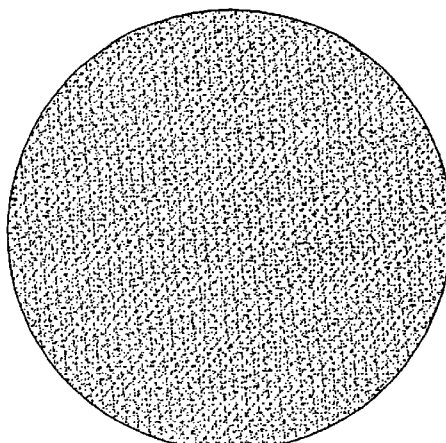


FIG. 15 illustrates a triangular shaped applicator portion;
FIG. 16 illustrates a bottom plan view thereof;
FIG. 17 illustrates a side view thereof;
FIG. 18 illustrates a bottom perspective view thereof;
FIG. 19 illustrates a plan view of an oblong round-ended applicator portion;
FIG. 20 illustrates a bottom plan view thereof;
FIG. 21 illustrates a side view thereof;
FIG. 22 illustrates an end view thereof;
FIG. 23 illustrates a bottom perspective view thereof;
FIG. 24 illustrates a plan view of an oval shaped applicator portion;
FIG. 25 illustrates a bottom plan view thereof;
FIG. 26 illustrates a side view thereof;
FIG. 27 illustrates an end view thereof;
FIG. 28 illustrates a perspective bottom view thereof;
FIG. 29 illustrates a plan view of a hexagon-shaped applicator portion;

FIG. 30 illustrates a bottom plan view thereof;
FIG. 31 illustrates a side view thereof;
FIG. 32 illustrates a bottom perspective view thereof;
FIG. 33 illustrates a plan view of an octagon shaped applicator portion;
FIG. 34 illustrates a bottom plan view thereof;
FIG. 35 illustrates a side view thereof;
FIG. 36 illustrates a bottom perspective view thereof;
FIG. 37 illustrates a plan view of a paddle-shaped applicator portion;
FIG. 38 illustrates a bottom plan view thereof;
FIG. 39 illustrates a side view thereof;
FIG. 40 illustrates an end view thereof; and,
FIG. 41 illustrates a bottom perspective view thereof.

1 Claim, 9 Drawing Sheets

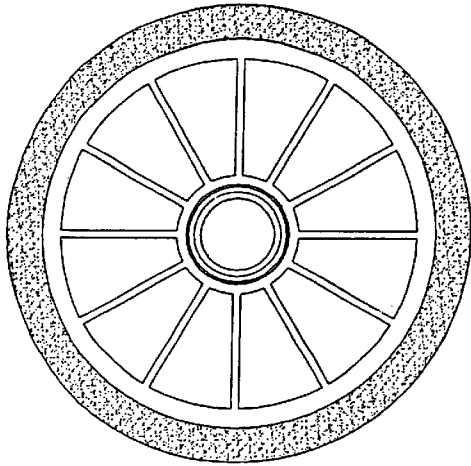


FIG. 2

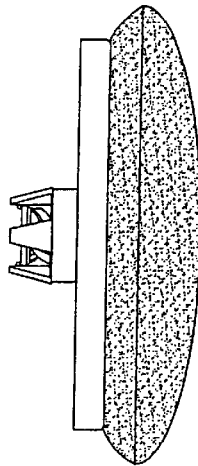


FIG. 3

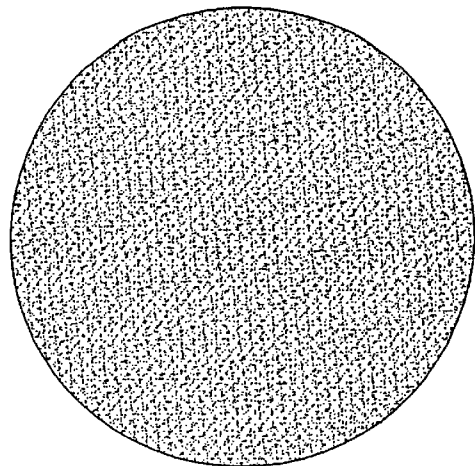


FIG. 1

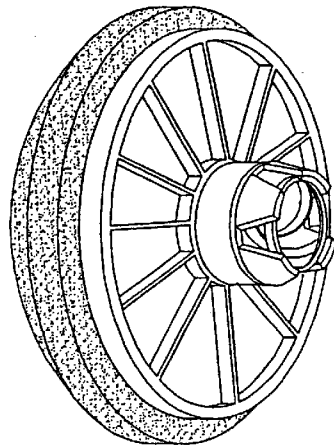


FIG. 4

FIG. 7

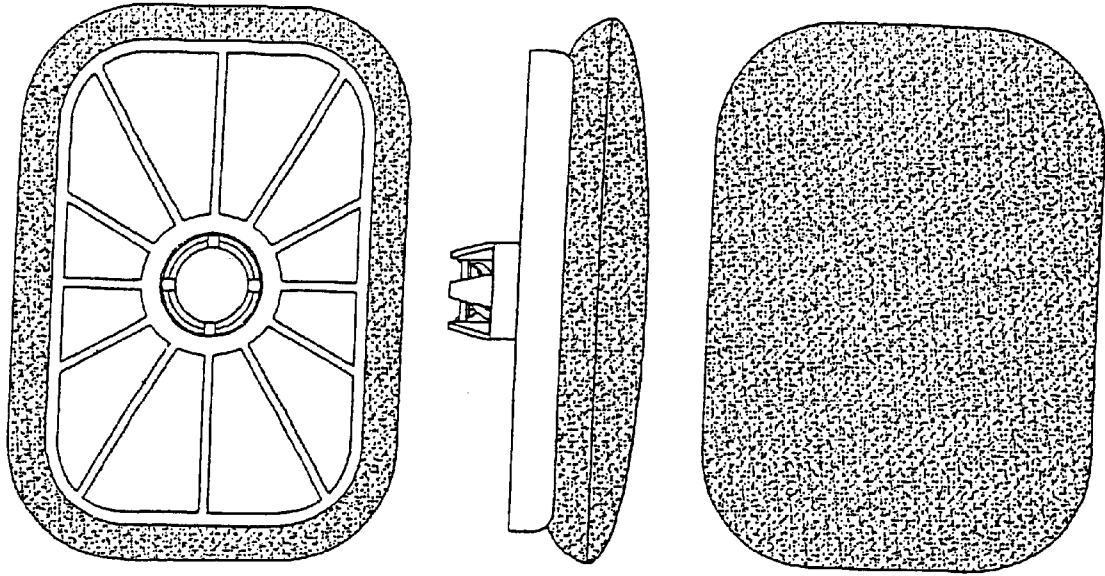


FIG. 6

FIG. 8

FIG. 5

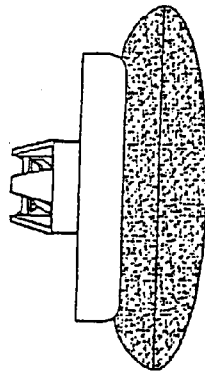
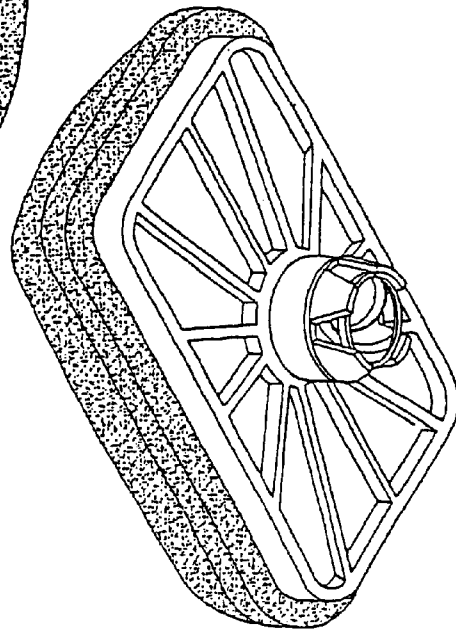


FIG. 9



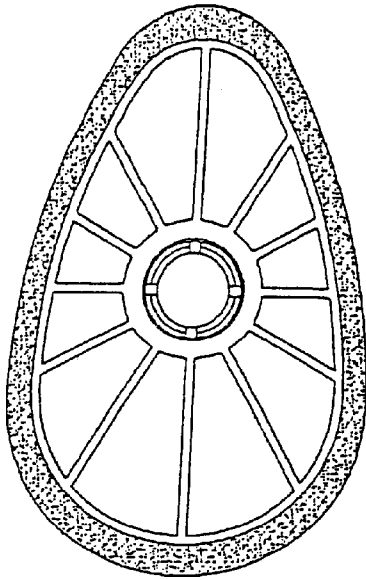


FIG. 11

FIG. 12

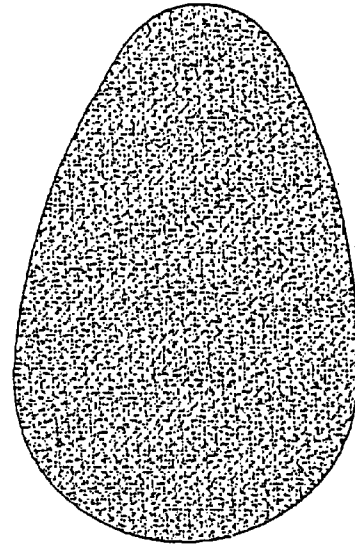
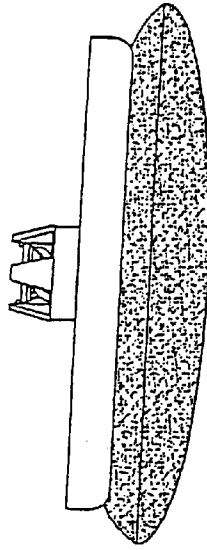


FIG. 10

FIG. 13

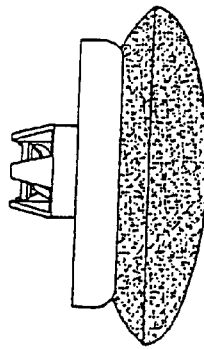


FIG. 14

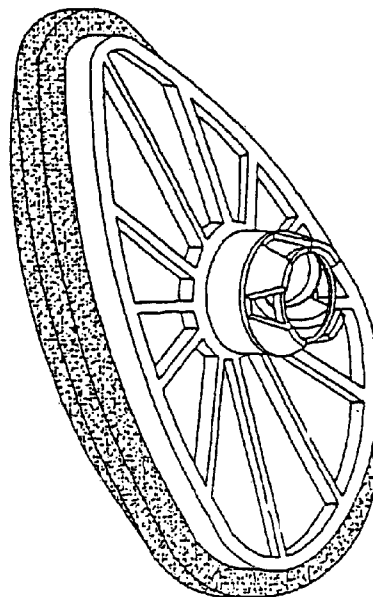


FIG. 17

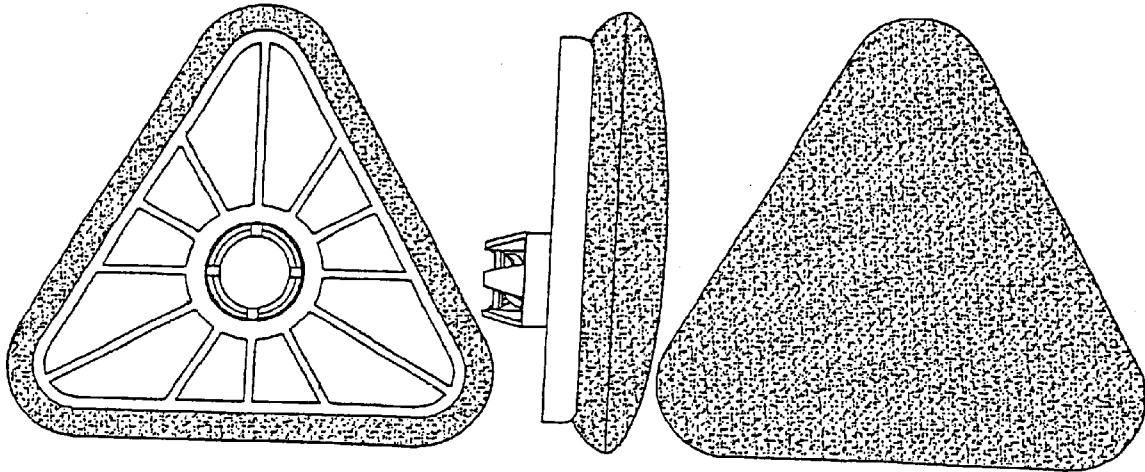
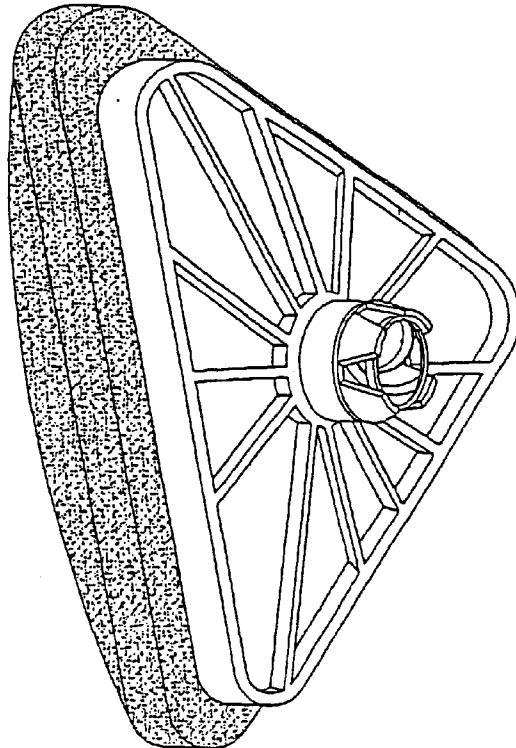


FIG. 16

FIG. 15

FIG. 18



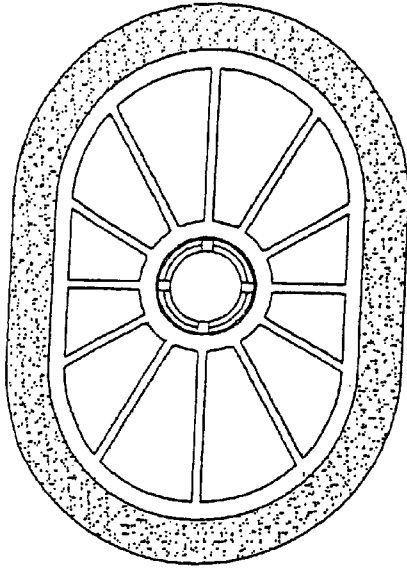


FIG. 20

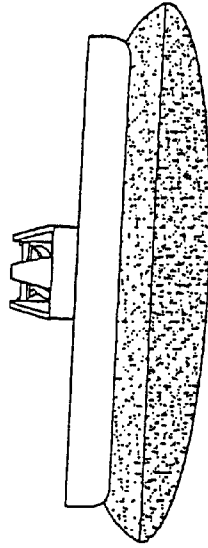


FIG. 21

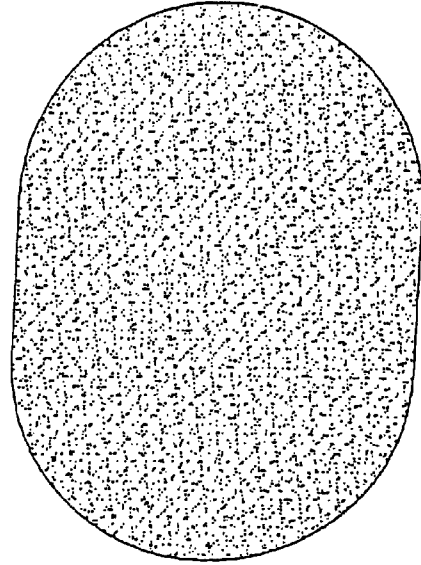


FIG. 19

FIG. 22

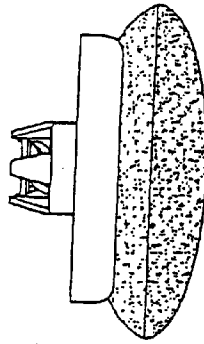


FIG. 23

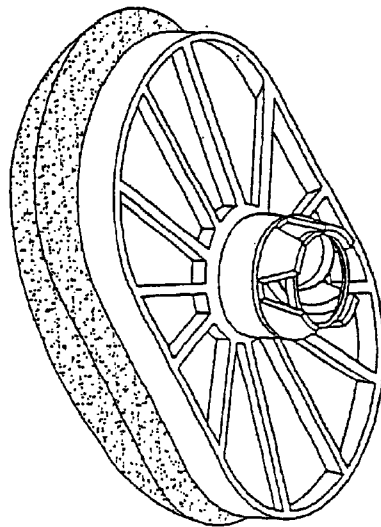


FIG. 26

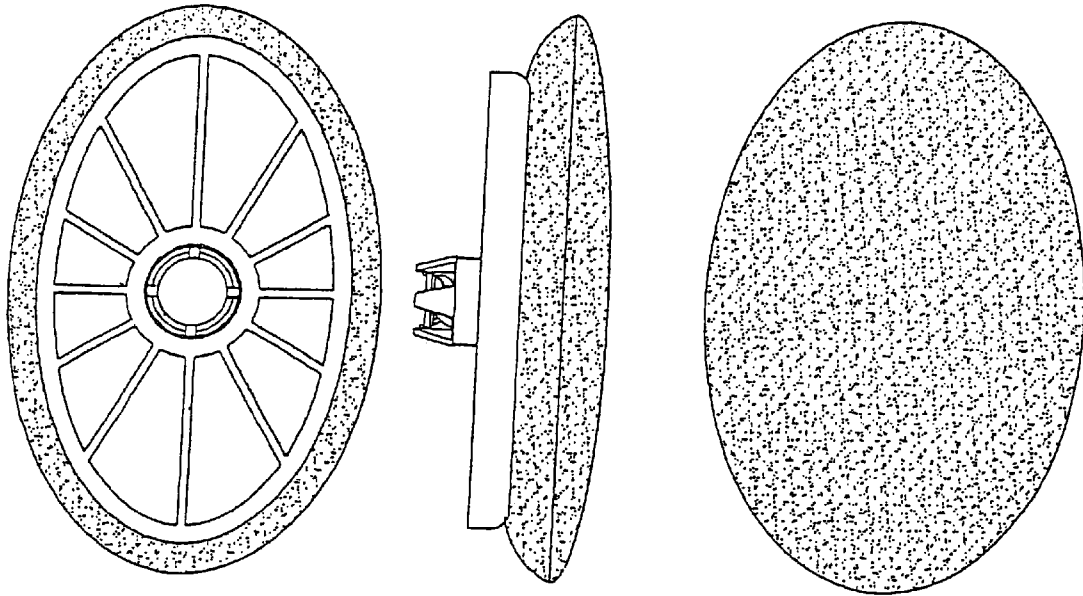


FIG. 25

FIG. 24

FIG. 27

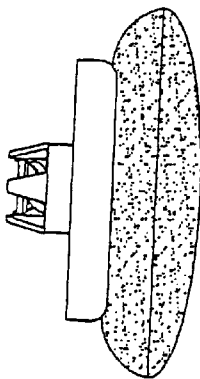
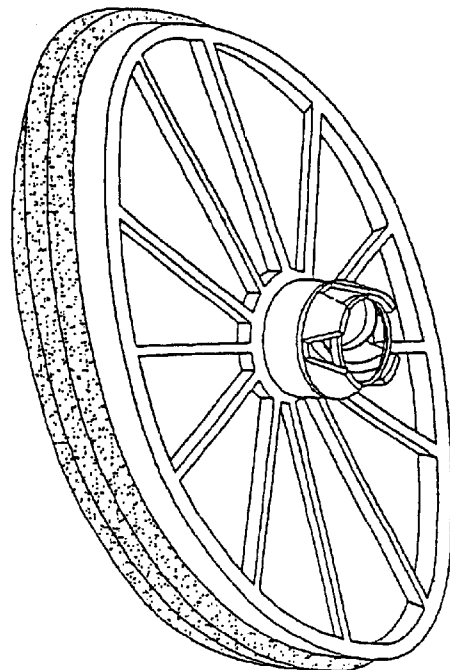


FIG. 28



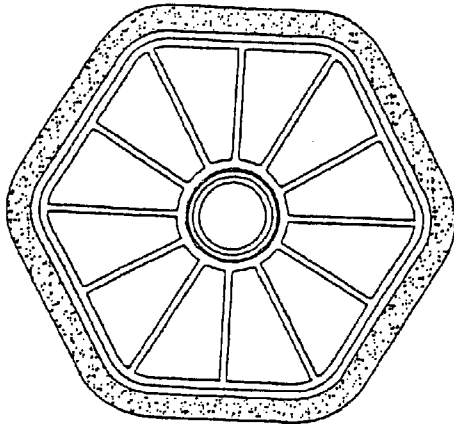


FIG. 30

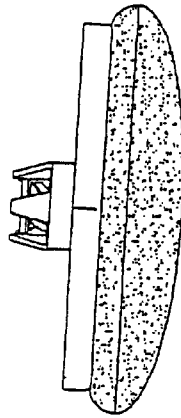


FIG. 31

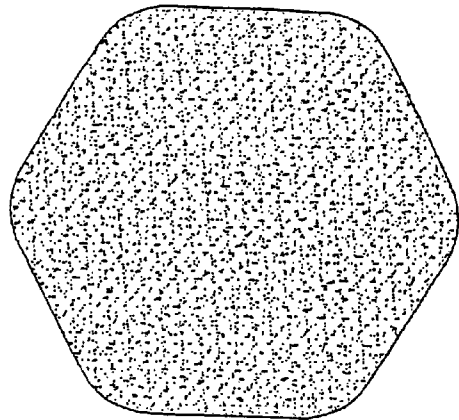


FIG. 29

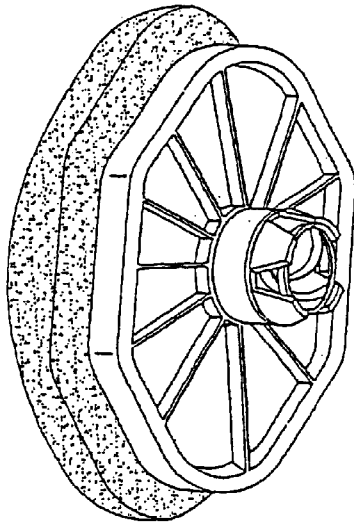


FIG. 32

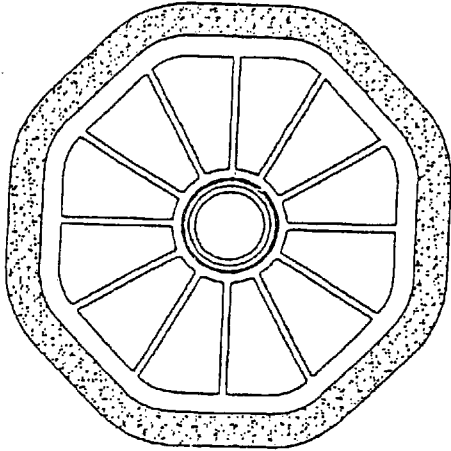


FIG. 34

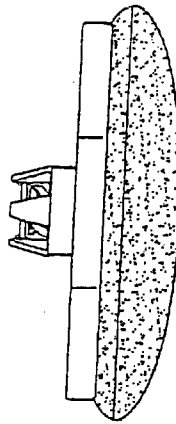


FIG. 35

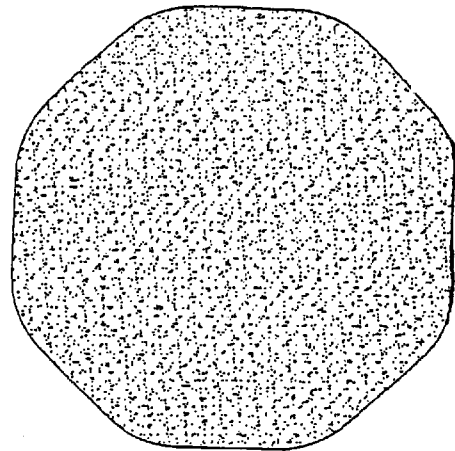


FIG. 33

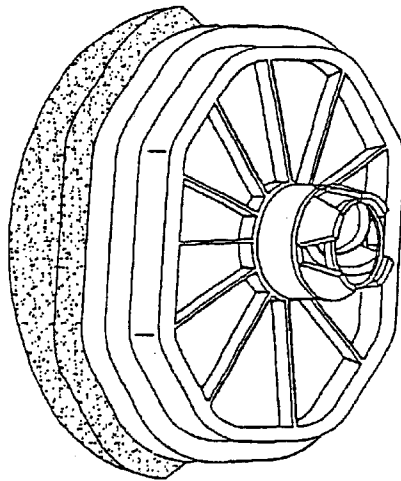


FIG. 36

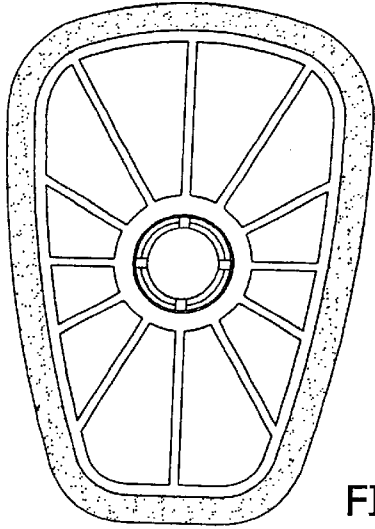


FIG. 38

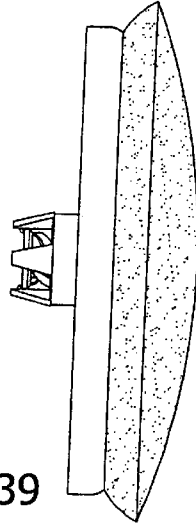


FIG. 39

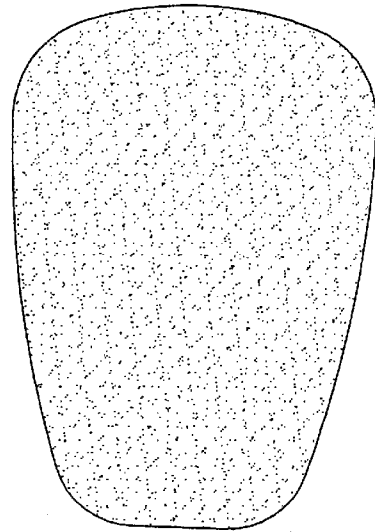


FIG. 37

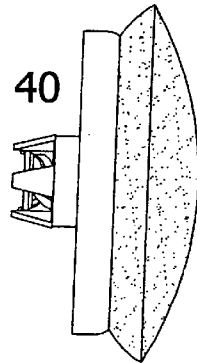


FIG. 40

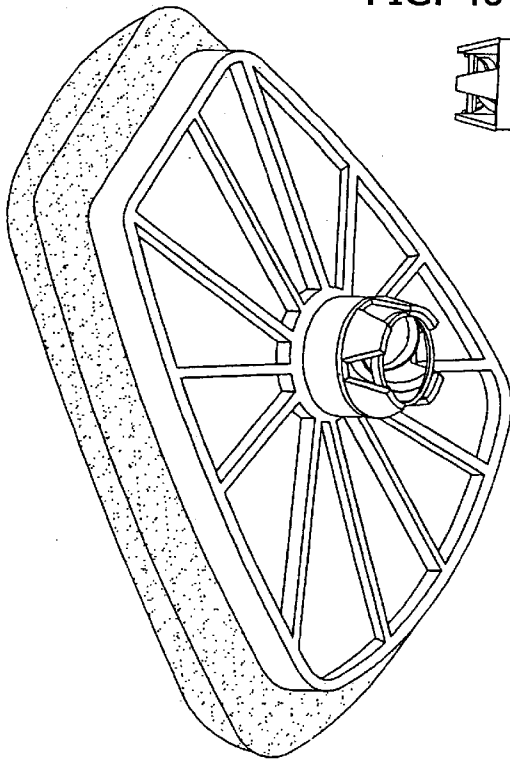


FIG. 41