



US00D510233S

(12) **United States Design Patent**
Giannone

(10) **Patent No.:** **US D510,233 S**

(45) **Date of Patent:** **** Oct. 4, 2005**

(54) **PAN HANDLE**

(75) **Inventor:** **Alfonso Giannone, Brembate (IT)**

(73) **Assignee:** **Bialetti Industrie S.p.A., Omegna (IT)**

(**) **Term:** **14 Years**

(21) **Appl. No.:** **29/218,142**

(22) **Filed:** **Nov. 30, 2004**

(30) **Foreign Application Priority Data**

Nov. 6, 2004 (IT) BS2004 O 0032

(51) **LOC (8) Cl.** **07-02**

(52) **U.S. Cl.** **D7/395**

(58) **Field of Search** D7/395, 354-361,
D7/393-394, 401.2; D4/138; 16/110.1,
430, 431; D8/107; 220/573.1, 573.2, 752,
753, 757, 759, 769, 771

(56) **References Cited**

U.S. PATENT DOCUMENTS

D376,727 S * 12/1996 Baumgarten D7/395

D438,054 S * 2/2001 Munari D7/395
D438,055 S * 2/2001 Munari D7/395
D443,175 S * 6/2001 Coudurier D7/395
D448,973 S * 10/2001 Hay et al. D7/395
D461,362 S * 8/2002 Coudurier D7/395
D461,364 S * 8/2002 Yen D7/395
D483,990 S * 12/2003 Munari D7/395
D498,117 S * 11/2004 Lorthioir D7/395
D500,926 S * 1/2005 Hay D4/138

* cited by examiner

Primary Examiner—Ruth McInroy

Assistant Examiner—Terrence Huang

(74) *Attorney, Agent, or Firm*—Hogan & Hartson LLP

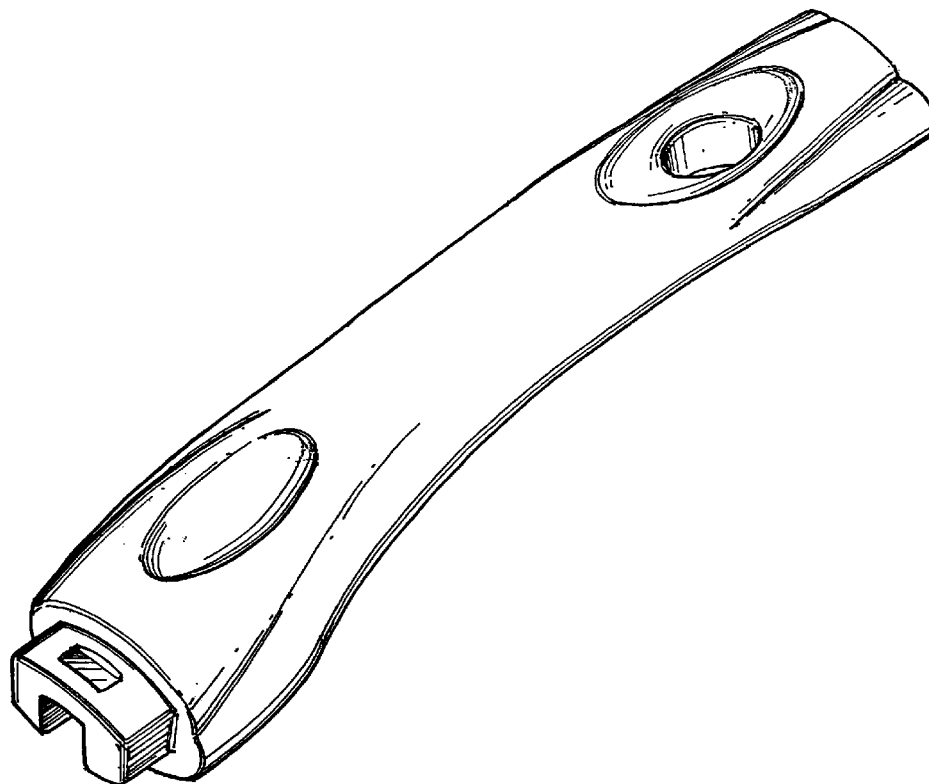
(57) **CLAIM**

The ornamental design for a pan handle, as shown and described.

DESCRIPTION

FIG. 1 is a perspective view of the pan handle;
FIG. 2 is a side view of the pan handle;
FIG. 3 is a top view of the pan handle; and,
FIG. 4 is a bottom view of the pan handle.

1 Claim, 2 Drawing Sheets



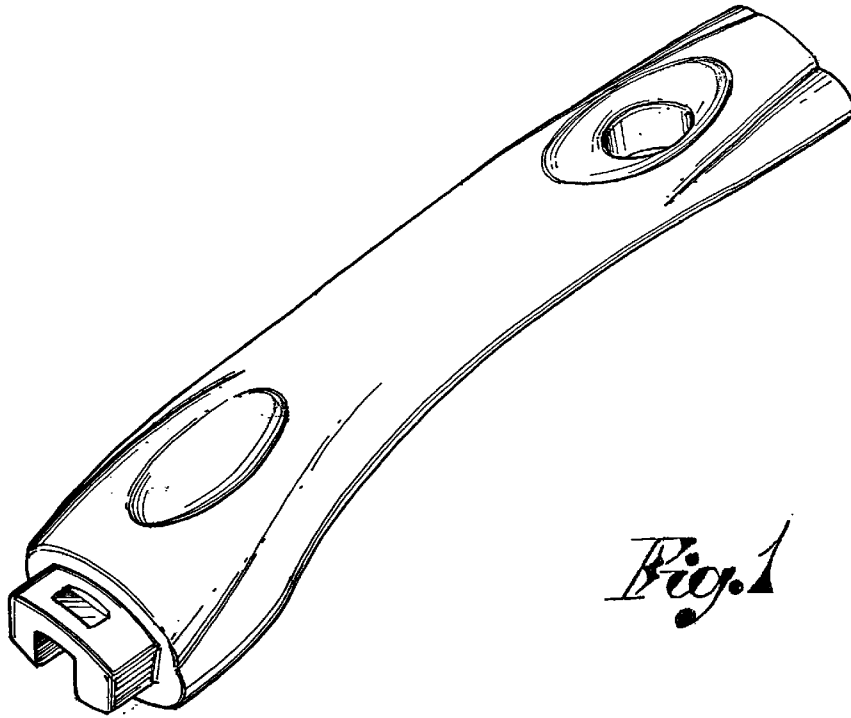


Fig. 1

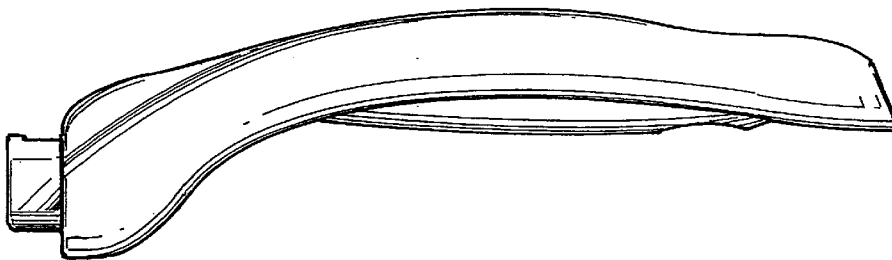


Fig. 2

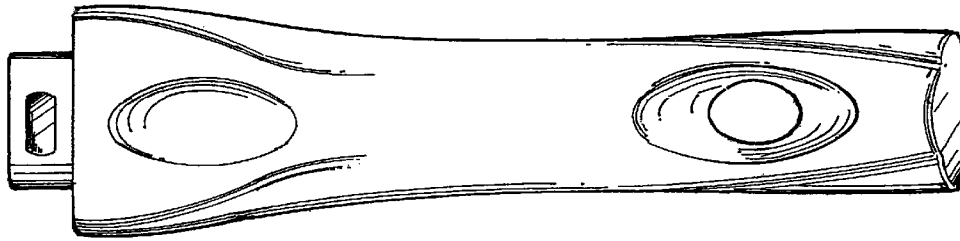


Fig. 3

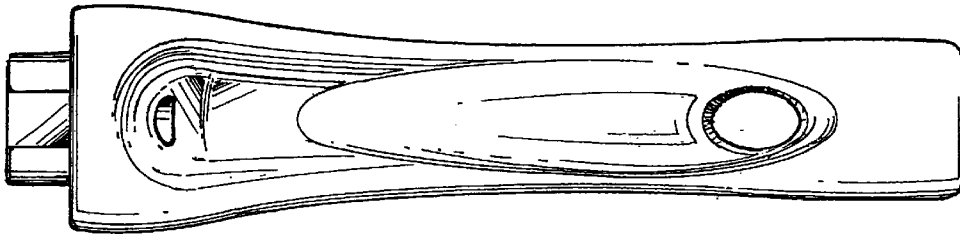


Fig. 4

UNITED STATES PATENT AND TRADEMARK OFFICE
CERTIFICATE OF CORRECTION

PATENT NO. : Des. 510,233 S
APPLICATION NO. : 29/218142
DATED : October 4, 2005
INVENTOR(S) : Alfonso Giannone

Page 1 of 1

It is certified that error appears in the above-identified patent and that said Letters Patent is hereby corrected as shown below:


On The Title Page, Item -30-

Please correct the Assignees' priority date to read as follows:

June 11, 2004

Signed and Sealed this

Twenty-second Day of May, 2007

A handwritten signature in black ink on a light gray dotted background. The signature reads "Jon W. Dudas" in a cursive style.

JON W. DUDAS
Director of the United States Patent and Trademark Office