



US00D349970S

United States Patent [19]

[11] Patent Number: **Des. 349,970**

Chien et al.

[45] Date of Patent: **** Aug. 23, 1994**

- [54] **MULTI-PURPOSE FLASH LIGHT**
- [76] Inventors: **Tseng-Lu Chien; Ping-Hsiang Wu,**
both of 21815 E. Shetland Way,
Walnut, Calif. 91792-1475
- [**] Term: **14 Years**
- [21] Appl. No.: **3,954**
- [22] Filed: **Jan. 22, 1993**
- [52] U.S. Cl. **D26/38**
- [58] **Field of Search** 362/157, 158, 159, 160,
362/161, 168, 171, 172, 173, 178, 179, 180, 183,
184, 186, 197, 198, 201, 202, 203, 204, 205, 206,
207, 208; D26/37-50

Primary Examiner—Wallace R. Burke
Assistant Examiner—Marcus Jackson
Attorney, Agent, or Firm—Morton J. Rosenberg; David I. Klein

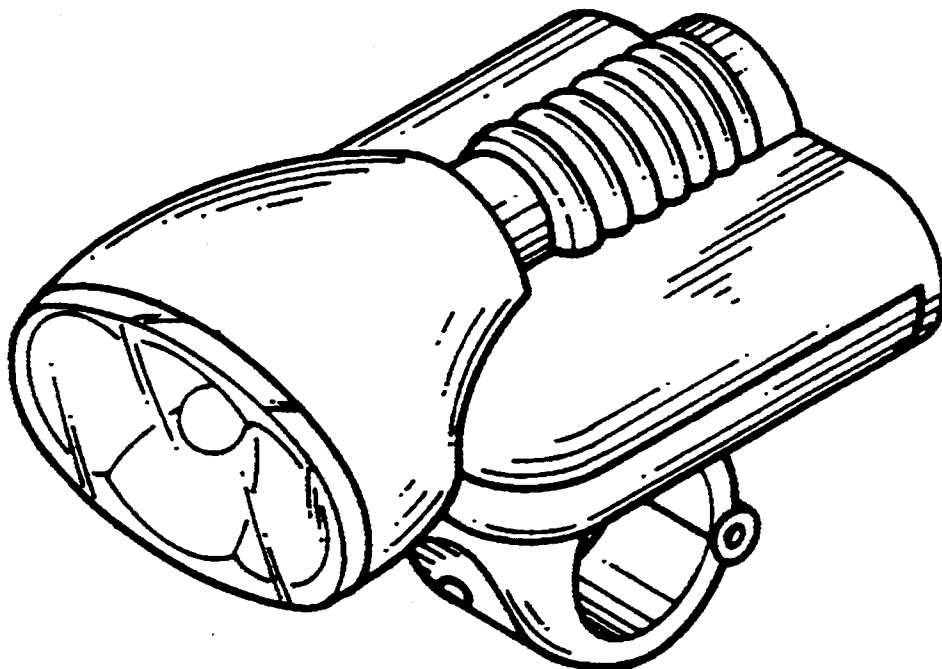
CLAIM

[57] The ornamental design for a multi-purpose flash light, as shown and described.

DESCRIPTION

FIG. 1 is a front-right-top perspective view of a multi-purpose flash light, showing my new design; FIG. 2 is a front elevational view thereof; FIG. 3 is a rear elevational view thereof; FIG. 4 is a right elevational view thereof, a left elevational view being a mirror image thereof; FIG. 5 is a top plan view thereof; FIG. 6 is a bottom plan view thereof; and, FIG. 7 is a front-right-top perspective view thereof, with the broken line showing for illustrative purposes only and forming no part of the claimed design.

- [56] **References Cited**
- U.S. PATENT DOCUMENTS**
- D. 226,677 4/1973 Carlini D26/39
- D. 295,324 4/1988 Drane D26/37
- D. 324,578 3/1992 Tsugama D26/37
- 2,204,707 6/1940 Seiss 362/157



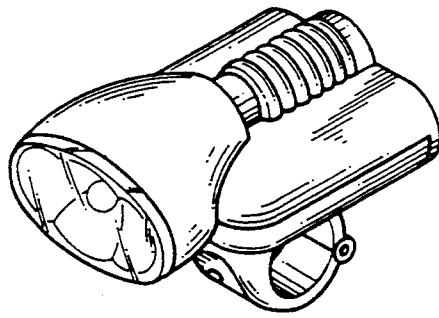


FIG. 1

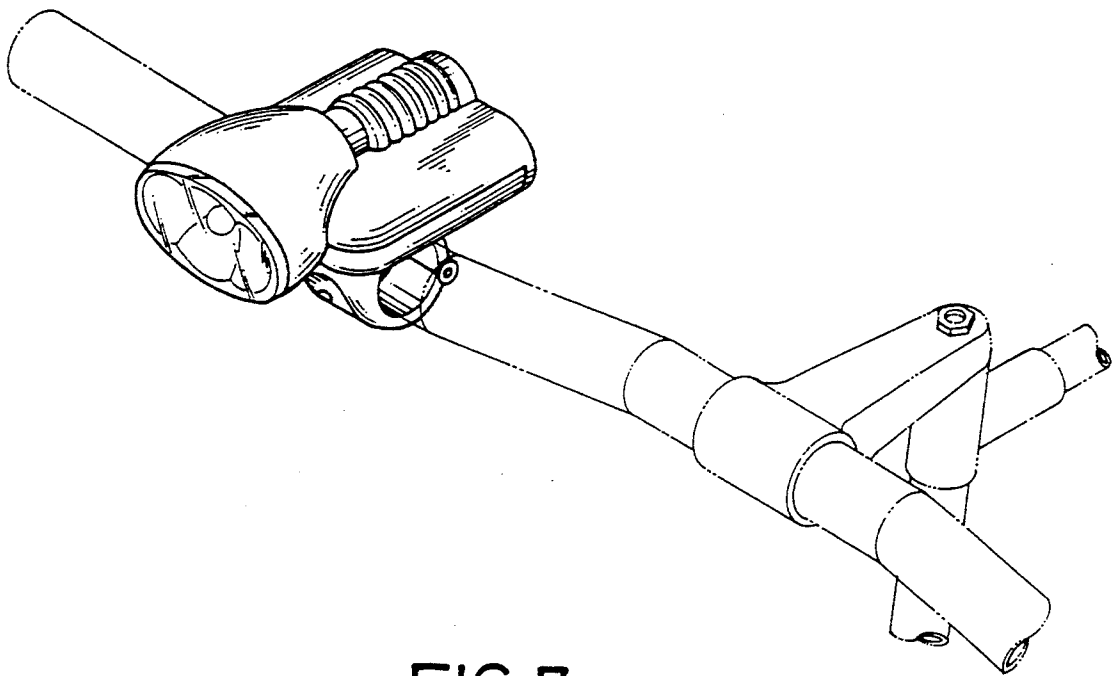


FIG. 7

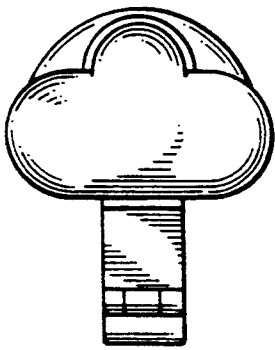


FIG. 3

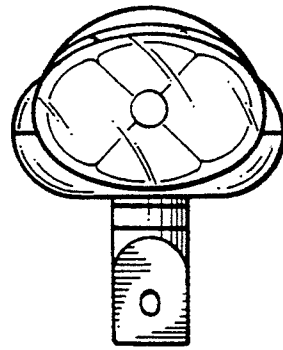


FIG. 2

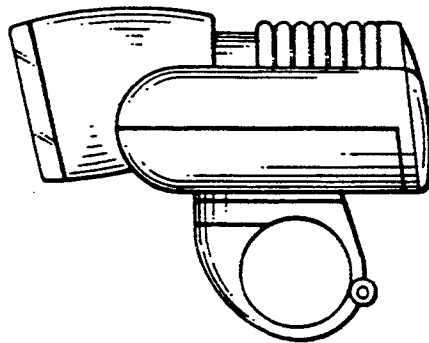


FIG. 4

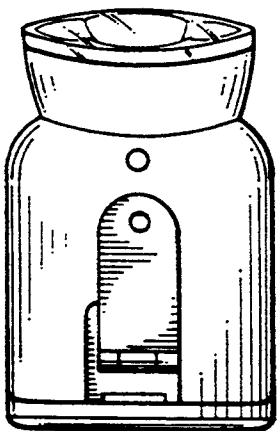


FIG. 6

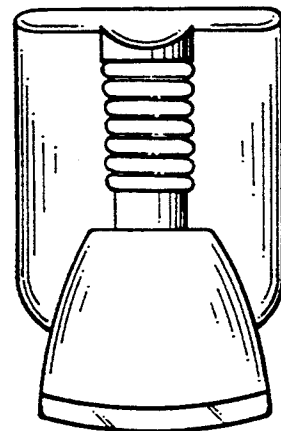


FIG. 5