



US00D477759S

(12) **United States Design Patent**
Buck

(10) **Patent No.:** **US D477,759 S**

(45) **Date of Patent:** **** Jul. 29, 2003**

- (54) **PORTION OF A FASTENER TOOL**
- (75) Inventor: **John E. Buck**, Cockeysville, MD (US)
- (73) Assignee: **Black & Decker, Inc.**, Newark, DE (US)
- (**) Term: **14 Years**
- (21) Appl. No.: **29/160,989**
- (22) Filed: **May 20, 2002**

D377,592 S	*	1/1997	Hattori	D8/69
D379,912 S	*	6/1997	Burke et al.	D8/68
D416,182 S	*	11/1999	Kaiser et al.	D8/69
6,102,270 A	*	8/2000	Robinson	227/130
6,131,787 A	*	10/2000	Curtis	227/120
D435,206 S	*	12/2000	Etter et al.	D8/68
6,186,386 B1	*	2/2001	Canlas et al.	227/8
6,189,759 B1	*	2/2001	Canlas et al.	227/120

* cited by examiner

Primary Examiner—Doris V. Coles
Assistant Examiner—T. Chase Nelson
(74) *Attorney, Agent, or Firm*—Adan Ayala

Related U.S. Application Data

- (63) Continuation of application No. 29/136,780, filed on Feb. 7, 2001, now Pat. No. Des. 461,694, which is a continuation-in-part of application No. 29/136,706, filed on Feb. 6, 2001, now Pat. No. Des. 459,184, which is a continuation-in-part of application No. 29/136,708, filed on Feb. 6, 2001, now Pat. No. Des. 459,185.

- (51) **LOC (7) Cl.** **08-05**
- (52) **U.S. Cl.** **D8/68; D8/69**
- (58) **Field of Search** D8/61, 62, 63, D8/64, 65, 66, 67, 68, 69, 70; 30/123.3; 81/54, 57.11, 57.42; 173/48, 109, 170; 227/2, 8, 10, 111, 112, 113, 114, 115, 116, 120, 123, 130, 131, 136, 142, 151; 451/451, 356

(56) **References Cited**

U.S. PATENT DOCUMENTS

D219,259 S	*	11/1970	Perkins	D8/61
D260,354 S	*	8/1981	Proops et al.	D8/61
D332,561 S	*	1/1993	Fushiya	D8/69

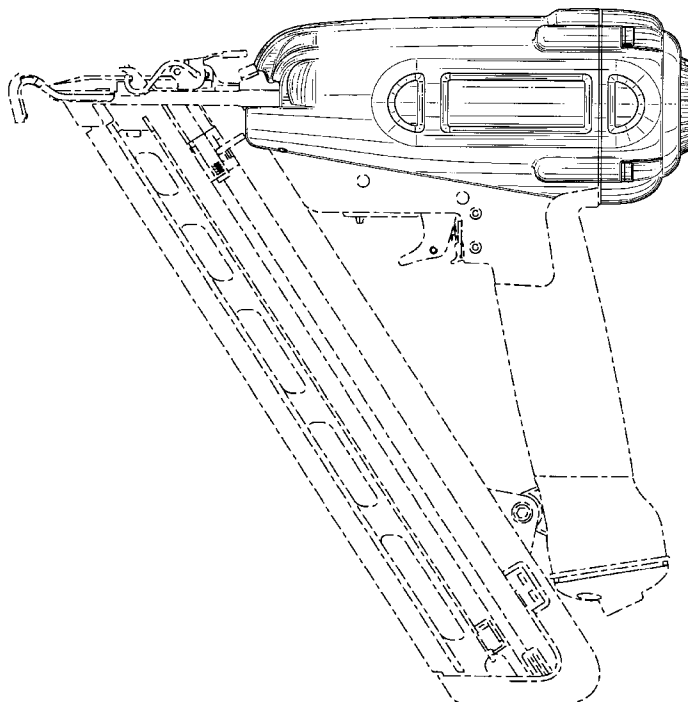
(57) **CLAIM**

The ornamental design for a portion of a fastener tool, as shown and described.

DESCRIPTION

FIG. 1 is a right side elevational of an embodiment of a portion of a fastener tool showing my new design. FIG. 2 is a left side elevational view of the embodiment. FIG. 3 is a bottom plan view of the embodiment. FIG. 4 is a top plan view of the embodiment. FIG. 5 is a front elevational view of the embodiment. FIG. 6 is a perspective view from the right side of the embodiment; and, FIG. 7 is a perspective view from the left side of the embodiment. The broken line showing of environmental structure is for illustrative purposes only and forms no part of the claimed design.

1 Claim, 7 Drawing Sheets



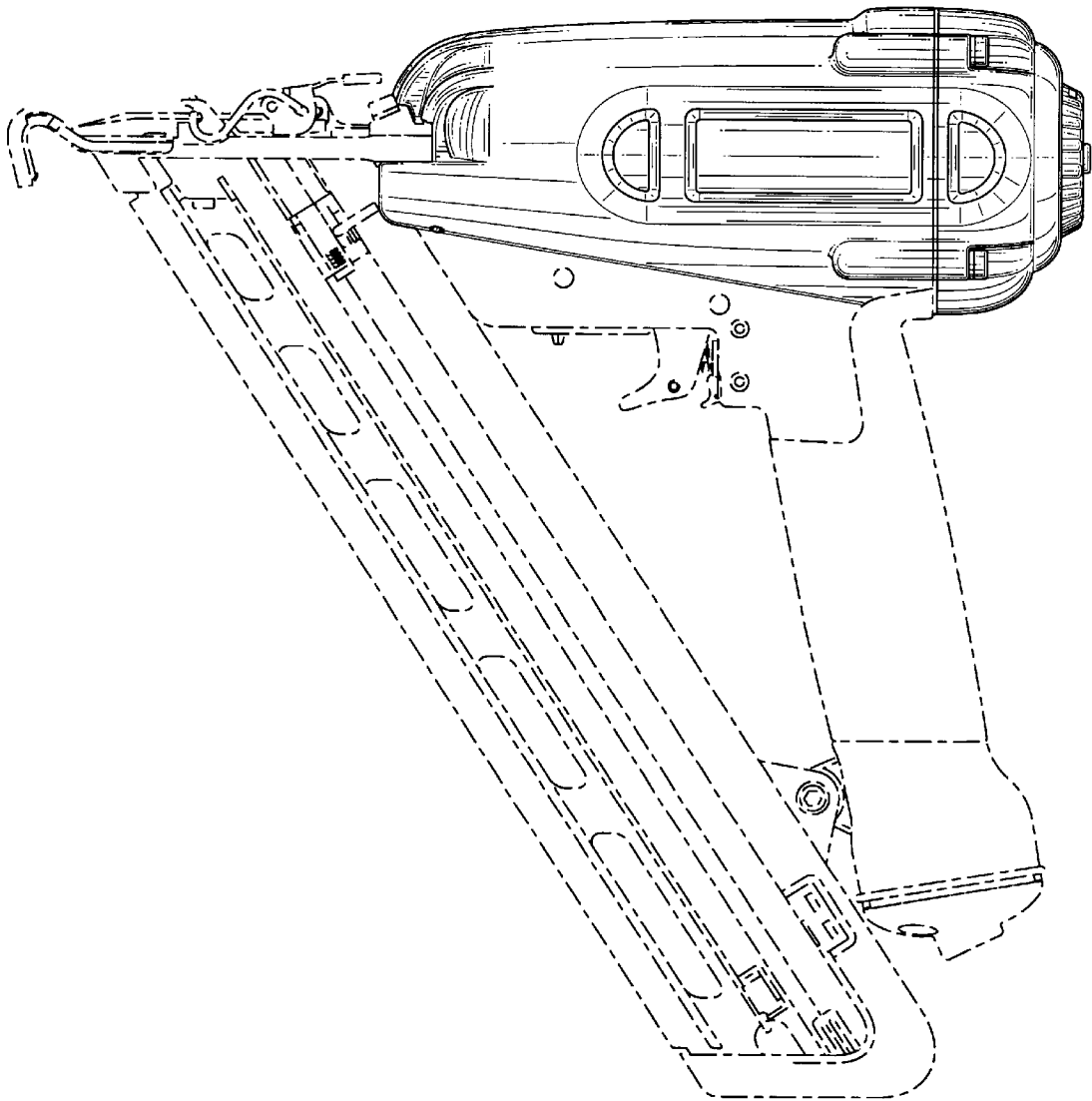


FIG. 1

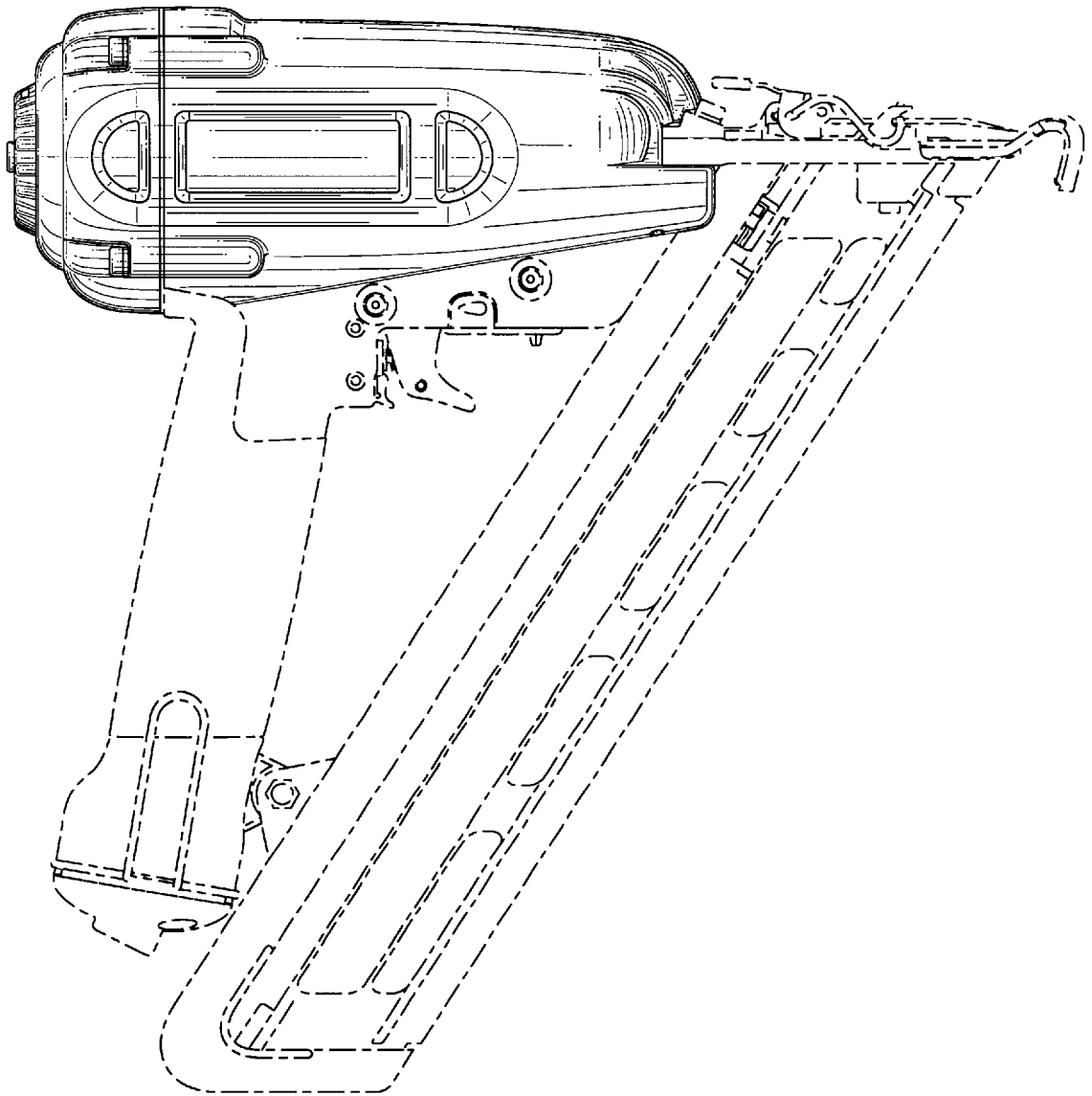


FIG. 2

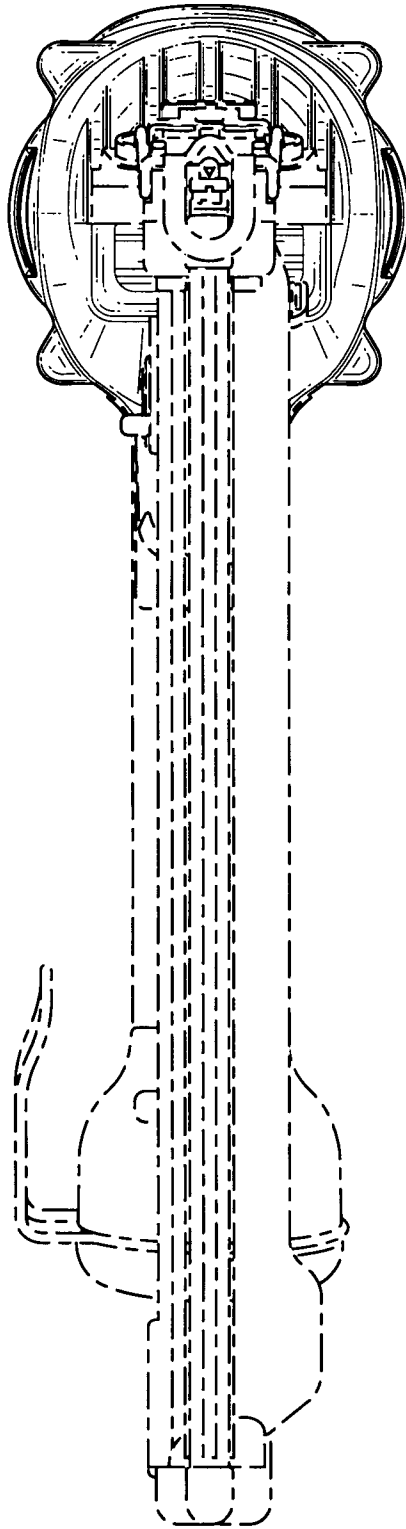


FIG. 3

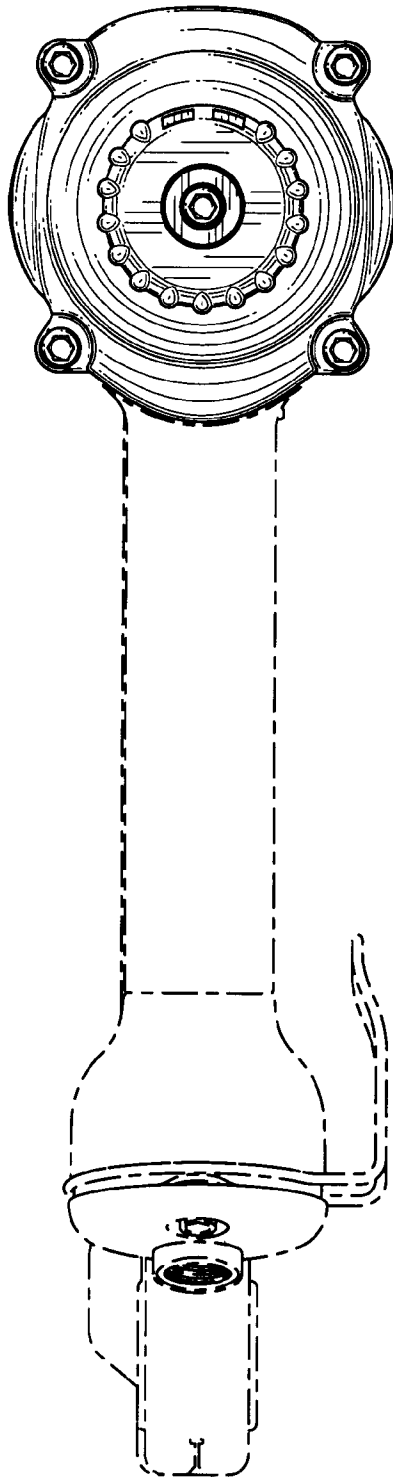


FIG. 4

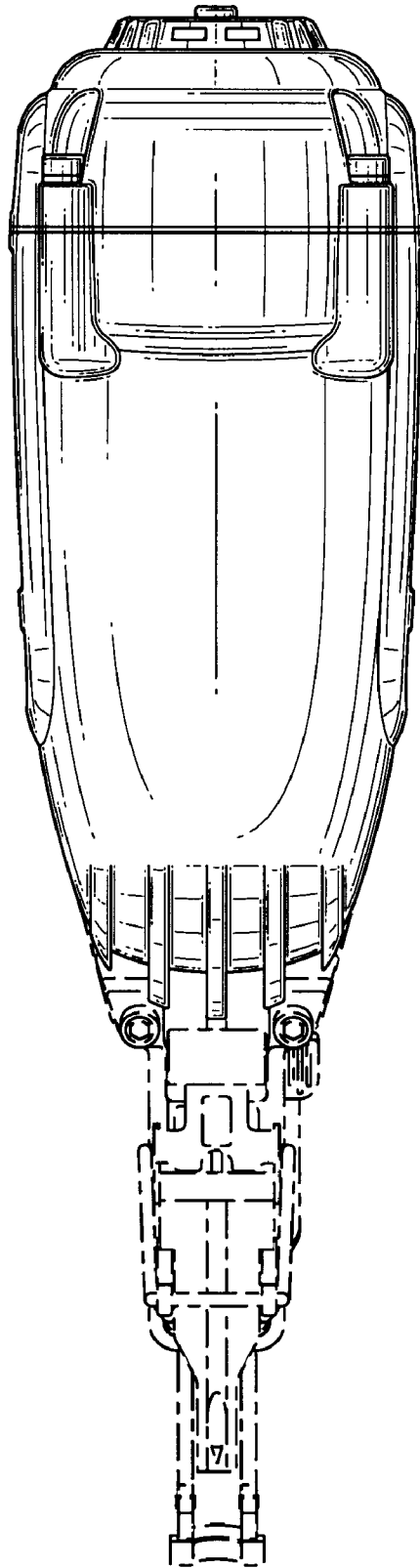


FIG. 5

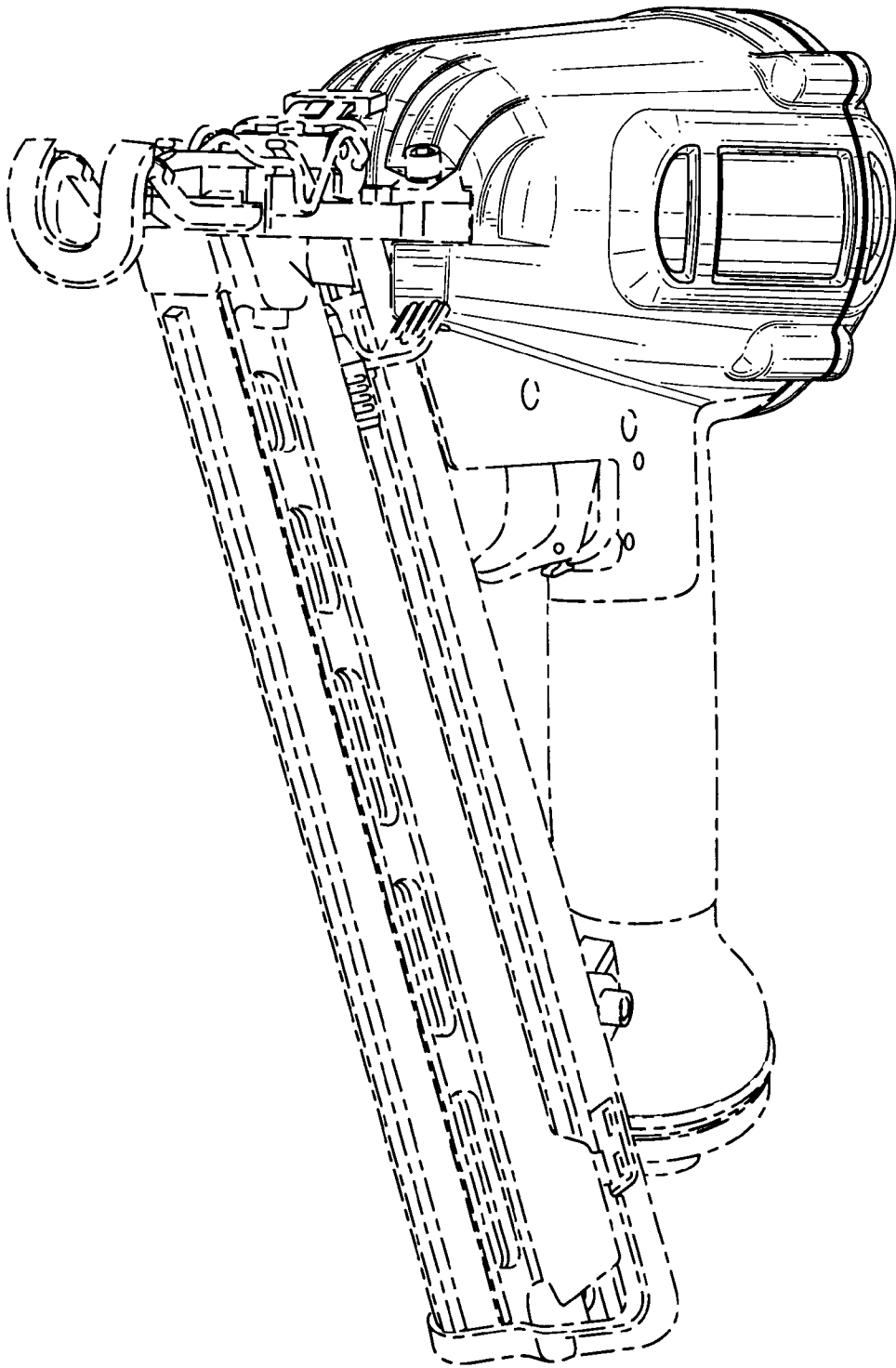


FIG. 6

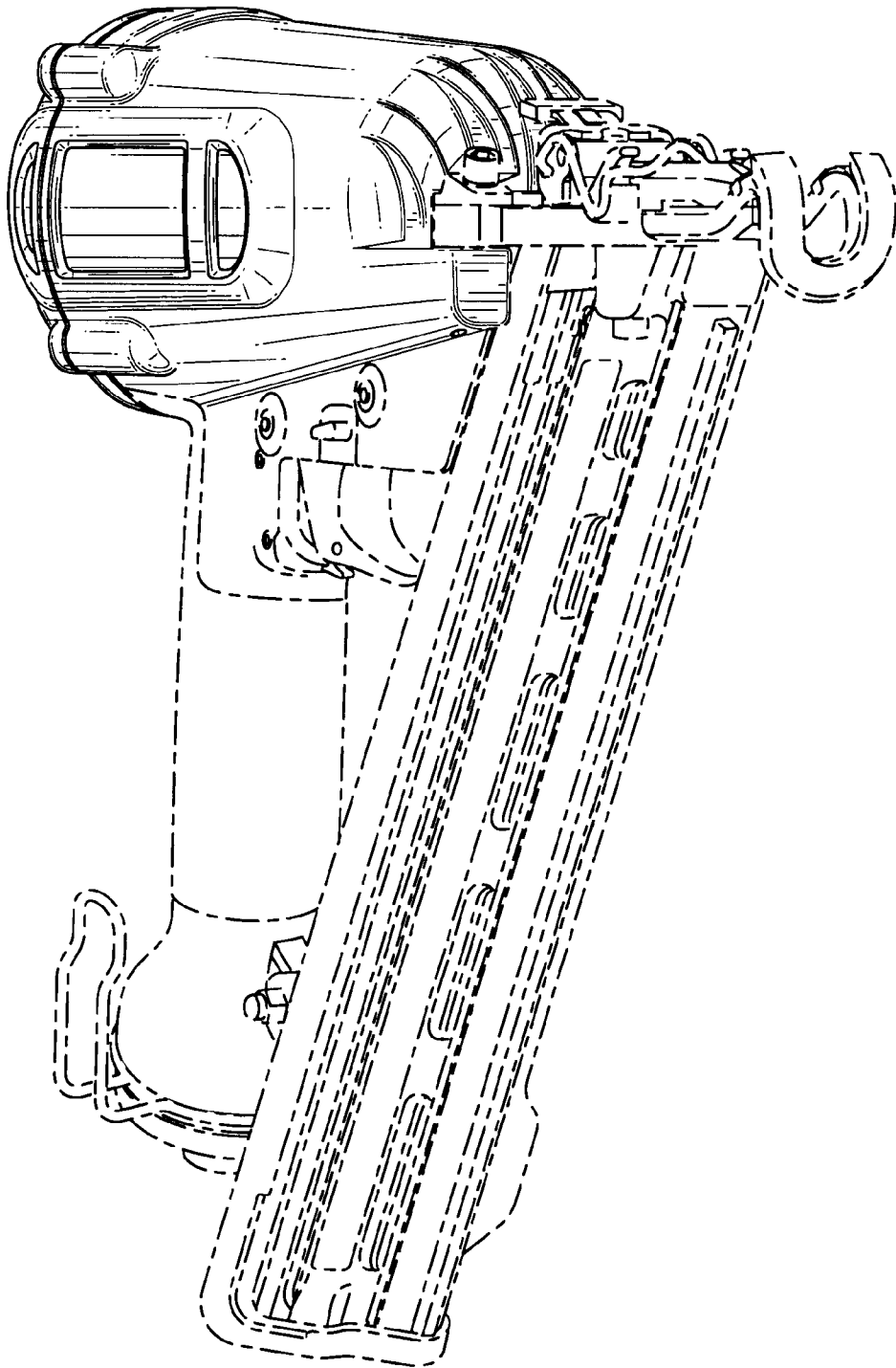


FIG. 7