



(43) International Publication Date
3 November 2016 (03.11.2016)

- (51) International Patent Classification:
A63B 65/12 (2006.01)
- (21) International Application Number:
PCT/HU2016/000026
- (22) International Filing Date:
29 April 2016 (29.04.2016)
- (25) Filing Language:
Hungarian
- (26) Publication Language:
English
- (30) Priority Data:
P1500198 29 April 2015 (29.04.2015) HU
- (71) Applicants: KÖRÖSI, Róbert [HU/HU]; Galagonya út
7/A, H-3700 Kazinczbarcika (HU). SZÉKELY, Szabolcs
[HU/HU]; Bartók Bela út 59., H-3700 Kazinczbarcika
(HU).
- (72) Inventor; and
(71) Applicant : TÓTH, Bertalan [HU/HU]; Alkotmány u.
62., H-9799 Szentpéterfa (HU).
- (74) Agent: SZILÁGYI, Ildikó; patent attorney, Bertalan L.
u.20. Fsz.3/A, H-1111 Budapest (HU).
- (81) Designated States (unless otherwise indicated, for every
kind of national protection available): AE, AG, AL, AM,
AO, AT, AU, AZ, BA, BB, BG, BH, BN, BR, BW, BY,

BZ, CA, CH, CL, CN, CO, CR, CU, CZ, DE, DK, DM,
DO, DZ, EC, EE, EG, ES, FI, GB, GD, GE, GH, GM, GT,
HN, HR, HU, ID, IL, IN, IR, IS, JP, KE, KG, KN, KP, KR,
KZ, LA, LC, LK, LR, LS, LU, LY, MA, MD, ME, MG,
MK, MN, MW, MX, MY, MZ, NA, NG, NI, NO, NZ, OM,
PA, PE, PG, PH, PL, PT, QA, RO, RS, RU, RW, SA, SC,
SD, SE, SG, SK, SL, SM, ST, SV, SY, TH, TJ, TM, TN,
TR, TT, TZ, UA, UG, US, UZ, VC, VN, ZA, ZM, ZW.

- (84) Designated States (unless otherwise indicated, for every
kind of regional protection available): ARIPO (BW, GH,
GM, KE, LR, LS, MW, MZ, NA, RW, SD, SL, ST, SZ,
TZ, UG, ZM, ZW), Eurasian (AM, AZ, BY, KG, KZ, RU,
TJ, TM), European (AL, AT, BE, BG, CH, CY, CZ, DE,
DK, EE, ES, FI, FR, GB, GR, HR, HU, IE, IS, IT, LT, LU,
LV, MC, MK, MT, NL, NO, PL, PT, RO, RS, SE, SI, SK,
SM, TR), OAPI (BF, BJ, CF, CG, CI, CM, GA, GN, GQ,
GW, KM, ML, MR, NE, SN, TD, TG).

Published:

- with international search report (Art. 21(3))
- before the expiration of the time limit for amending the
claims and to be republished in the event of receipt of
amendments (Rule 48.2(h))

- (88) Date of publication of the international search report:
8 December 2016

(54) Title: BALL SERVING APPARATUS

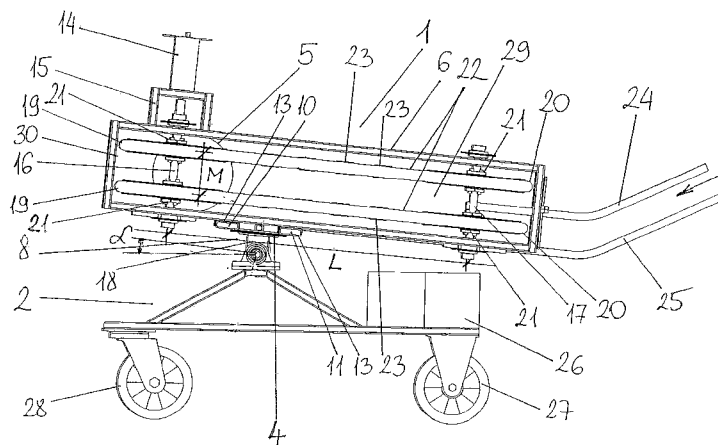


FIG. 1

(57) Abstract: The invention is a big ball serving apparatus for sport games. The apparatus consists of the ball serving apparatus fixed on wheeled chassis, therefore, the ball serving apparatus can be turned in vertical and horizontal directions. The ball serving apparatus comprises a guiding space and shooting opening for guiding and shooting the ball. The apparatus also comprises the supporting unit, comprising the supporting rods placed in the receiving openings (13), and pins (9) attached to the external surface of the vertical element (18) of the supporting unit (8). Pins (9) are connected in a rotating manner to the fixing unit (12) of the chassis (2), making possible to turn the ball serving apparatus (1) in vertical direction to an angle α , and at the same time, the ball serving apparatus can be turned in horizontal direction up to an angle β in the horizontal direction with the help of disk bearing (4) of the rotating unit. The possibility to turn the ball serving apparatus in horizontal and vertical direction is provided.

INTERNATIONAL SEARCH REPORT

International application No.

PCT/HU 2016/000026

A. CLASSIFICATION OF SUBJECT MATTER		
<i>A63B 65/12 (2006.01)</i>		
According to International Patent Classification (IPC) or to both national classification and IPC		
B. FIELDS SEARCHED		
Minimum documentation searched (classification system followed by classification symbols)		
A63B 65/12, 65/00, 69/00-69/40, 47/00-47/04, F41B 3/00-3/04		
Documentation searched other than minimum documentation to the extent that such documents are included in the fields searched		
Electronic data base consulted during the international search (name of data base and, where practicable, search terms used)		
PatSearch (RUPTO internal), Espacenet, PAJ, USPTO, Information Retrieval System of FIPS		
C. DOCUMENTS CONSIDERED TO BE RELEVANT		
Category*	Citation of document, with indication, where appropriate, of the relevant passages	Relevant to claim No.
A	US 4561414 A1 (NOZATO FUJIO) 31.12.1985	1-3
A	WO 2010/141736 A1 (MIHALJEVIC SHANE P) 09.12.2010	1-3
A	CN 102475961 A (YONG ZOU et al.) 30.05.2012	1-3
<input type="checkbox"/> Further documents are listed in the continuation of Box C. <input type="checkbox"/> See patent family annex.		
* Special categories of cited documents:	“T”	later document published after the international filing date or priority date and not in conflict with the application but cited to understand the principle or theory underlying the invention
“A” document defining the general state of the art which is not considered to be of particular relevance	“X”	document of particular relevance; the claimed invention cannot be considered novel or cannot be considered to involve an inventive step when the document is taken alone
“E” earlier document but published on or after the international filing date	“Y”	document of particular relevance; the claimed invention cannot be considered to involve an inventive step when the document is combined with one or more other such documents, such combination being obvious to a person skilled in the art
“L” document which may throw doubts on priority claim(s) or which is cited to establish the publication date of another citation or other special reason (as specified)	“&”	document member of the same patent family
“O” document referring to an oral disclosure, use, exhibition or other means		
“P” document published prior to the international filing date but later than the priority date claimed		
Date of the actual completion of the international search	Date of mailing of the international search report	
03 October 2016 (03.10.2016)	20 October 2016 (20.10.2016)	
Name and mailing address of the ISA/RU: Federal Institute of Industrial Property, Berezhkovskaya nab., 30-1, Moscow, G-59, GSP-3, Russia, 125993 Facsimile No: (8-495) 531-63-18, (8-499) 243-33-37	Authorized officer A. Artemiev Telephone No. (495)531-64-81	

Box No. II Observations where certain claims were found unsearchable (Continuation of item 2 of first sheet)

This international search report has not been established in respect of certain claims under Article 17(2)(a) for the following reasons:

1. Claims Nos.:
because they relate to subject matter not required to be searched by this Authority, namely:

2. Claims Nos.:
because they relate to parts of the international application that do not comply with the prescribed requirements to such an extent that no meaningful international search can be carried out, specifically:

3. Claims Nos.: 4-7
because they are dependent claims and are not drafted in accordance with the second and third sentences of Rule 6.4(a).

Box No. III Observations where unity of invention is lacking (Continuation of item 3 of first sheet)

This International Searching Authority found multiple inventions in this international application, as follows:

1. As all required additional search fees were timely paid by the applicant, this international search report covers all searchable claims.
2. As all searchable claims could be searched without effort justifying additional fees, this Authority did not invite payment of additional fees.
3. As only some of the required additional search fees were timely paid by the applicant, this international search report covers only those claims for which fees were paid, specifically claims Nos.:
4. No required additional search fees were timely paid by the applicant. Consequently, this international search report is restricted to the invention first mentioned in the claims; it is covered by claims Nos.:

Remark on Protest

- The additional search fees were accompanied by the applicant's protest and, where applicable, the payment of a protest fee.
- The additional search fees were accompanied by the applicant's protest but the applicable protest fee was not paid within the time limit specified in the invitation.
- No protest accompanied the payment of additional search fees.