

(19) World Intellectual Property Organization
International Bureau



(43) International Publication Date
18 May 2007 (18.05.2007)

PCT

(10) International Publication Number
WO 2007/055925 A3

(51) International Patent Classification:
G06F 3/00 (2006.01)

(21) International Application Number:
PCT/US2006/041856

(22) International Filing Date: 25 October 2006 (25.10.2006)

(25) Filing Language: English

(26) Publication Language: English

(30) Priority Data:
60/733,067 2 November 2005 (02.11.2005) US
11/478,895 30 June 2006 (30.06.2006) US

(71) Applicant (for all designated States except US): **ON-SPEC ELECTRONIC, INC.** [US/US]; 2225 MARTIN AVENUE, Suite K, Santa Clara, CA 95050 (US).

(72) Inventors; and

(75) Inventors/Applicants (for US only): **IYER, Sree, M.** [US/US]; 4167 Pino Gris Way, San Jose, CA 95135 (US). **JONES, Larry, L.** [US/US]; 1407 Hamilton Avenue, Palo Alto, CA 94301 (US). **VENKIDU, Arockiyaswamy** [US/US]; 112 Princeton Road, Menlo Park, CA 94025 (US).

(74) Agent: **WARD, John, P.**; GREENBERG TRAUIG LLP, 1900 UNIVERSITY AVENUE, Fifth Floor, East Palo Alto, CA 94303 (US).

(81) Designated States (unless otherwise indicated, for every kind of national protection available): AE, AG, AL, AM, AT, AU, AZ, BA, BB, BG, BR, BW, BY, BZ, CA, CH, CN, CO, CR, CU, CZ, DE, DK, DM, DZ, EC, EE, EG, ES, FI, GB, GD, GE, GH, GM, GT, HN, HR, HU, ID, IL, IN, IS, JP, KE, KG, KM, KN, KP, KR, KZ, LA, LC, LK, LR, LS, LT, LU, LV, LY, MA, MD, MG, MK, MN, MW, MX, MY, MZ, NA, NG, NI, NO, NZ, OM, PG, PH, PL, PT, RO, RS, RU, SC, SD, SE, SG, SK, SL, SM, SV, SY, TJ, TM, TN, TR, TT, TZ, UA, UG, US, UZ, VC, VN, ZA, ZM, ZW.

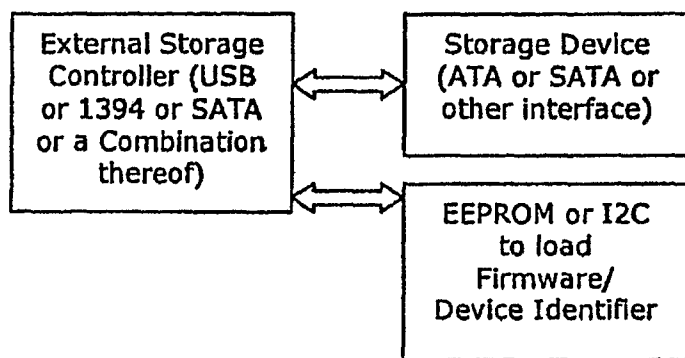
(84) Designated States (unless otherwise indicated, for every kind of regional protection available): ARIPO (BW, GH, GM, KE, LS, MW, MZ, NA, SD, SL, SZ, TZ, UG, ZM, ZW), Eurasian (AM, AZ, BY, KG, KZ, MD, RU, TJ, TM), European (AT, BE, BG, CH, CY, CZ, DE, DK, EE, ES, FI, FR, GB, GR, HU, IE, IS, IT, LT, LU, LV, MC, NL, PL, PT, RO, SE, SI, SK, TR), OAPI (BF, BJ, CF, CG, CI, CM, GA, GN, GQ, GW, ML, MR, NE, SN, TD, TG).

Published:
— with international search report

(88) Date of publication of the international search report:
3 January 2008

For two-letter codes and other abbreviations, refer to the "Guidance Notes on Codes and Abbreviations" appearing at the beginning of each regular issue of the PCT Gazette.

(54) Title: SYSTEM AND METHOD FOR ENHANCING EXTERNAL STORAGE



(57) Abstract: One embodiment as described herein provides a system and method for enhancing external storage (Fig. 1). One embodiment includes a controller of a peripheral device of a computer system (Fig. 1, external storage controller). The controller provides access to a storage medium of the peripheral device (Fig. 1, ATA Master HDD). In one embodiment, the storage medium of the peripheral device includes a section of storage reserved for firmware of the peripheral device.



WO 2007/055925 A3

INTERNATIONAL SEARCH REPORT

International application No.

PCT/US06/41856

A. CLASSIFICATION OF SUBJECT MATTER

IPC: **G06F 3/00(2006.01)**

USPC: 710/3,8

According to International Patent Classification (IPC) or to both national classification and IPC

B. FIELDS SEARCHED

Minimum documentation searched (classification system followed by classification symbols)
U.S. : 710/3,8

Documentation searched other than minimum documentation to the extent that such documents are included in the fields searched

Electronic data base consulted during the international search (name of data base and, where practicable, search terms used)

C. DOCUMENTS CONSIDERED TO BE RELEVANT

Category *	Citation of document, with indication, where appropriate, of the relevant passages	Relevant to claim No.
X	US 6,930,709 (Creamer et al), 16 August 2005, col 9 lns 3-19, col 15 lns 20-30, col 33 lns 21-30.	1-5, 7, 8
X	US 20010034795 (Moulton et al), 21 October 2001, par. 16, par. 32	9, 10, 12
Y	US 20060095647 (Battaglia et al), 4 May 2006, par 175	6
Y	US 7206989 (Beckett et al), 17 April 2007, col 11 lns 3-25	11
Y	US 6028812 (Tanaka, Hidehiko), 22 February 2000, col 13 lns 32-50	13

Further documents are listed in the continuation of Box C.

See patent family annex.

* Special categories of cited documents:		
"A" document defining the general state of the art which is not considered to be of particular relevance	"T"	later document published after the international filing date or priority date and not in conflict with the application but cited to understand the principle or theory underlying the invention
"E" earlier application or patent published on or after the international filing date	"X"	document of particular relevance; the claimed invention cannot be considered novel or cannot be considered to involve an inventive step when the document is taken alone
"L" document which may throw doubts on priority claim(s) or which is cited to establish the publication date of another citation or other special reason (as specified)	"Y"	document of particular relevance; the claimed invention cannot be considered to involve an inventive step when the document is combined with one or more other such documents, such combination being obvious to a person skilled in the art
"O" document referring to an oral disclosure, use exhibition or other means		
"P" document published prior to the international filing date but later than the priority date claimed	"&"	document member of the same patent family

Date of the actual completion of the international search
14 September 2007 (14.09.2007)

Date of mailing of the international search report
12 OCT 2007

Name and mailing address of the ISA/US
Mail Stop PCT, Attn: ISA/US
Commissioner for Patents
P.O. Box 1450
Alexandria, Virginia 22313-1450
Facsimile No. (571) 273-3201

Authorized officer
Kim Huynh
Telephone No. 571-272-2000

