

(19) World Intellectual Property Organization
International Bureau



(43) International Publication Date
3 April 2008 (03.04.2008)

PCT

(10) International Publication Number
WO 2008/039857 A3

- (51) International Patent Classification:
H03M 7/00 (2006.01)
- (21) International Application Number:
PCT/US2007/079573
- (22) International Filing Date:
26 September 2007 (26.09.2007)
- (25) Filing Language: English
- (26) Publication Language: English
- (30) Priority Data:
60/847,464 26 September 2006 (26.09.2006) US
- (71) Applicant (for all designated States except US):
DILITHIUM NETWORKS PTY LTD. [AU/AU];
Suite 2, Level 6, 3 Spring Street, Sydney, New South
Wales 2000 (AU).
- (72) Inventors; and
- (75) Inventors/Applicants (for US only): **HENG, Wei, Jyh**
[MY/US]; 570 Rohnert Park Expressway West, Apart-
ment 239, Rohnert Park, California 94928 (US). **ZHOU,**
Wei [AU/US]; 1552 Center Road, Apt. 54, Novato,

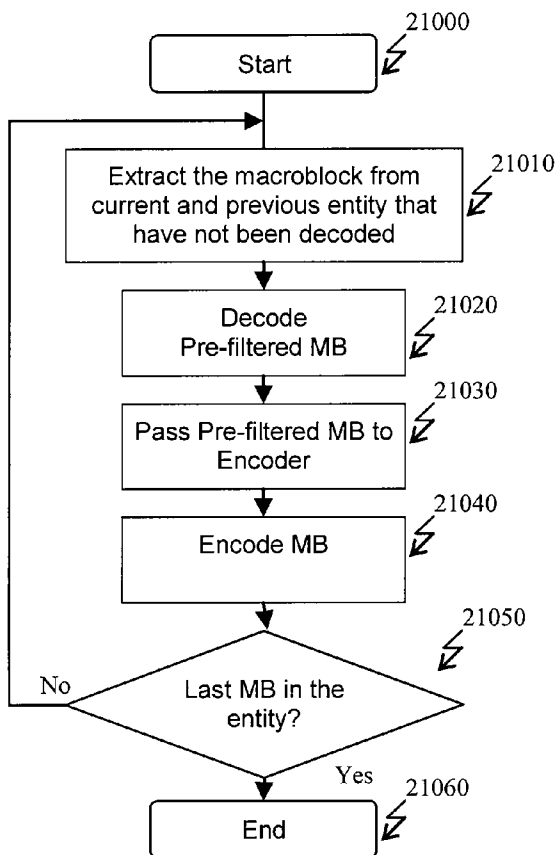
California 94947 (US). **WANG, Jianwei** [AU/US]; 2700
Lincoln Village Circle, Apt. 291, Larkspur, California
94939 (US). **JABRI, Marwan, A.** [AU/US]; 656 Hilary
Drive, Tiburon, California 94920 (US). **ZHAO, Chengji**
[AU/AU]; 15/43-49 Ocean Street, Penshurst, New South
Wales 2222 (AU).

(74) Agents: **LARGENT, Craig, C.** et al.; Townsend And
Townsend And Crew Llp, Two Embarcadero Center, 8th
Floor, San Francisco, California 94111-3834 (US).

(81) Designated States (unless otherwise indicated, for every
kind of national protection available): AE, AG, AL, AM,
AT, AU, AZ, BA, BB, BG, BH, BR, BW, BY, BZ, CA, CH,
CN, CO, CR, CU, CZ, DE, DK, DM, DO, DZ, EC, EE, EG,
ES, FI, GB, GD, GE, GH, GM, GT, HN, HR, HU, ID, IL,
IN, IS, JP, KE, KG, KM, KN, KP, KR, KZ, LA, LC, LK,
LR, LS, LT, LU, LY, MA, MD, ME, MG, MK, MN, MW,
MX, MY, MZ, NA, NG, NI, NO, NZ, OM, PG, PH, PL,
PT, RO, RS, RU, SC, SD, SE, SG, SK, SL, SM, SV, SY,
TJ, TM, TN, TR, TT, TZ, UA, UG, US, UZ, VC, VN, ZA,
ZM, ZW.

[Continued on next page]

(54) Title: METHOD AND APPARATUS FOR COMPRESSED VIDEO BITSTREAM CONVERSION WITH REDUCED-AL-
GORITHMIC-DELAY



(57) Abstract: The present invention relates to converting media bitstreams across different networks in a media gateway without any algorithmic delay, and reduces the computation load within the transmission in the situation where the bandwidth of the outgoing network varies dynamically. A first embodiment of the present invention provides an apparatus and a method for a Reduced-Algorithmic-Delay Media Stream Unit Conversion module which is a light weight Simple Pass-Through operation. A second embodiment of the present invention provides an apparatus and a method for a Reduced-Algorithmic-Delay Video Rate Conversion. An alternative embodiment provides an apparatus and a method for a Smart Pass-Through Operation which involves switching between the Simple Pass-Through and the Rate Converter. The methods and apparatuses provided by the first and second embodiment can be used as a stand alone system, or as part of the module of the alternative embodiment.

WO 2008/039857 A3



(84) Designated States (*unless otherwise indicated, for every kind of regional protection available*): ARIPO (BW, GH, GM, KE, LS, MW, MZ, NA, SD, SL, SZ, TZ, UG, ZM, ZW), Eurasian (AM, AZ, BY, KG, KZ, MD, RU, TJ, TM), European (AT, BE, BG, CH, CY, CZ, DE, DK, EE, ES, FI, FR, GB, GR, HU, IE, IS, IT, LT, LU, LV, MC, MT, NL, PL,

PT, RO, SE, SI, SK, TR), OAPI (BF, BJ, CF, CG, CI, CM, GA, GN, GQ, GW, ML, MR, NE, SN, TD, TG).

Published:

— *with international search report*

(88) Date of publication of the international search report:
17 July 2008

INTERNATIONAL SEARCH REPORT

International application No.

PCT/US07/79573

A. CLASSIFICATION OF SUBJECT MATTER

IPC(8) - H03M 7/00 (2008.01)

USPC - 341/50

According to International Patent Classification (IPC) or to both national classification and IPC

B. FIELDS SEARCHED

Minimum documentation searched (classification system followed by classification symbols)

IPC(8) - H03M 7/00; G06K 15/173 (2008.01)

USPC - 341/50; 709/226

Documentation searched other than minimum documentation to the extent that such documents are included in the fields searched

Electronic data base consulted during the international search (name of data base and, where practicable, search terms used)

Database: MicroPatent

C. DOCUMENTS CONSIDERED TO BE RELEVANT

Category*	Citation of document, with indication, where appropriate, of the relevant passages	Relevant to claim No.
Y	US 2005/0258983 A1 (JABRI et al) 24 November 2005 (24.11.2005) entire document	1-25
Y	US 2004/0179597 A1 (RAULT) 16 September 2004 (16.09.2004) entire document	1-25
Y	US 2002/0061012 A1 (THI et al) 23 May 2002 (23.05.2002) entire document	2-5, 20, 21

Further documents are listed in the continuation of Box C.

* Special categories of cited documents:

"A" document defining the general state of the art which is not considered to be of particular relevance

"E" earlier application or patent but published on or after the international filing date

"L" document which may throw doubts on priority claim(s) or which is cited to establish the publication date of another citation or other special reason (as specified)

"O" document referring to an oral disclosure, use, exhibition or other means

"P" document published prior to the international filing date but later than the priority date claimed

"T" later document published after the international filing date or priority date and not in conflict with the application but cited to understand the principle or theory underlying the invention

"X" document of particular relevance; the claimed invention cannot be considered novel or cannot be considered to involve an inventive step when the document is taken alone

"Y" document of particular relevance; the claimed invention cannot be considered to involve an inventive step when the document is combined with one or more other such documents, such combination being obvious to a person skilled in the art

"&" document member of the same patent family

Date of the actual completion of the international search

27 February 2008

Date of mailing of the international search report

27 MAR 2008

Name and mailing address of the ISA/US

Mail Stop PCT, Attn: ISA/US, Commissioner for Patents

P.O. Box 1450, Alexandria, Virginia 22313-1450

Facsimile No. 571-273-3201

Authorized officer

Blaine R. Copenheaver

PCT Helpdesk: 571-272-4300
PCT OSP: 571-272-7774