



US00D855267S

(12) **United States Design Patent**
Desagre et al.

(10) **Patent No.:** **US D855,267 S**

(45) **Date of Patent:** **** Jul. 30, 2019**

(54) **BASE FOR A GARMENT STEAMER**

(71) Applicant: **CALOR**, Ecully (FR)

(72) Inventors: **Thomas Desagre**, Cluses (FR);
Frédéric Strubi, Lyons (FR)

(73) Assignee: **CALOR**, Ecully (FR)

(**) Term: **15 Years**

(21) Appl. No.: **29/611,627**

(22) Filed: **Jul. 24, 2017**

(30) **Foreign Application Priority Data**

Jan. 24, 2017 (EM) 003702067-0002

(51) **LOC (11) Cl.** **15-05**

(52) **U.S. Cl.**
USPC **D32/17; D32/21**

(58) **Field of Classification Search**
USPC D32/17, 18, 21, 71, 73, 25
CPC D06F 87/00; D06F 75/30; D06F 75/12;
D06F 75/20; D06F 73/00; D06F 73/10;
D06F 59/02; D06F 59/08; A47L 5/24
See application file for complete search history.

(56) **References Cited**

U.S. PATENT DOCUMENTS

4,894,935	A *	1/1990	Kretz	A47G 25/0685 223/69
6,182,870	B1 *	2/2001	Seissler	A47G 25/20 223/91
D451,653	S *	12/2001	Berreth	D32/17
D499,517	S *	12/2004	Chen	D32/17
D561,958	S *	2/2008	Hahn	D32/17
D592,368	S *	5/2009	Massip	D32/34
D599,511	S *	9/2009	Massip	D32/17
D607,620	S *	1/2010	Massip	D32/17
D623,365	S *	9/2010	Ediger	D32/17

D623,366	S *	9/2010	Ediger	D32/17
D652,185	S *	1/2012	Mu	D32/21
D659,919	S *	5/2012	Lin	D32/17
8,205,363	B2 *	6/2012	Lin	D06F 75/40 38/77.6
D663,496	S *	7/2012	Ediger	D32/17
D670,044	S *	10/2012	Andreesen	D32/17
8,387,291	B2 *	3/2013	Compeau	D06F 75/12 38/77.9
D695,473	S *	12/2013	Ediger	D32/17
D697,277	S *	1/2014	Massip	D32/32
D707,000	S *	6/2014	Massip	D32/17
8,950,031	B1 *	2/2015	Jaramillo	D06F 73/00 134/175
D770,104	S *	10/2016	Koehler	D32/17
9,493,905	B2 *	11/2016	Ducruet	D06F 87/00
9,562,315	B2 *	2/2017	Al-Harhi	D06F 63/00
D788,397	S *	5/2017	Tan	D32/73
D798,008	S *	9/2017	Malatray	D32/17

(Continued)

Primary Examiner — Ruth McInroy

(74) *Attorney, Agent, or Firm* — Loeb & Loeb LLP

(57) **CLAIM**

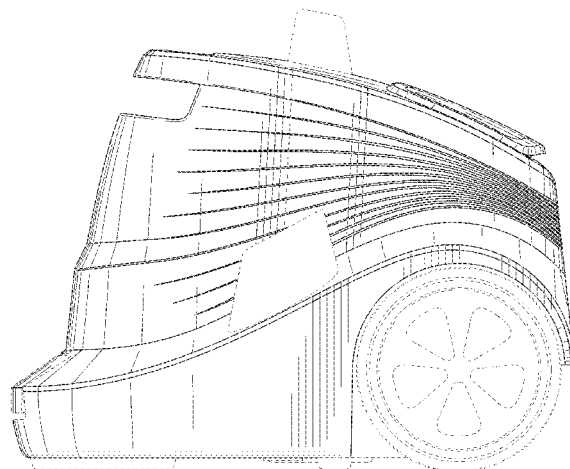
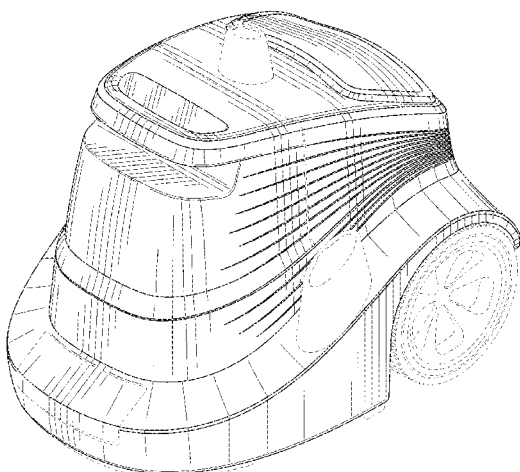
The ornamental design for a base for a garment steamer, as shown and described.

DESCRIPTION

FIG. 1 is a perspective view of a base for garment steamer showing our new design;
FIG. 2 is a front elevational view thereof;
FIG. 3 is a rear elevational view thereof;
FIG. 4 is a right side elevational view thereof;
FIG. 5 is a left side elevational view thereof;
FIG. 6 is a top view thereof; and,
FIG. 7 is a bottom view thereof.

The broken lines appearing in the figures are for the purpose of illustrating portions of the base for a garment steamer that form no part of the claimed design.

1 Claim, 7 Drawing Sheets



(56)

References Cited

U.S. PATENT DOCUMENTS

9,822,480 B2 * 11/2017 Fung D06F 73/00
D825,121 S * 8/2018 Kahn D32/21

* cited by examiner

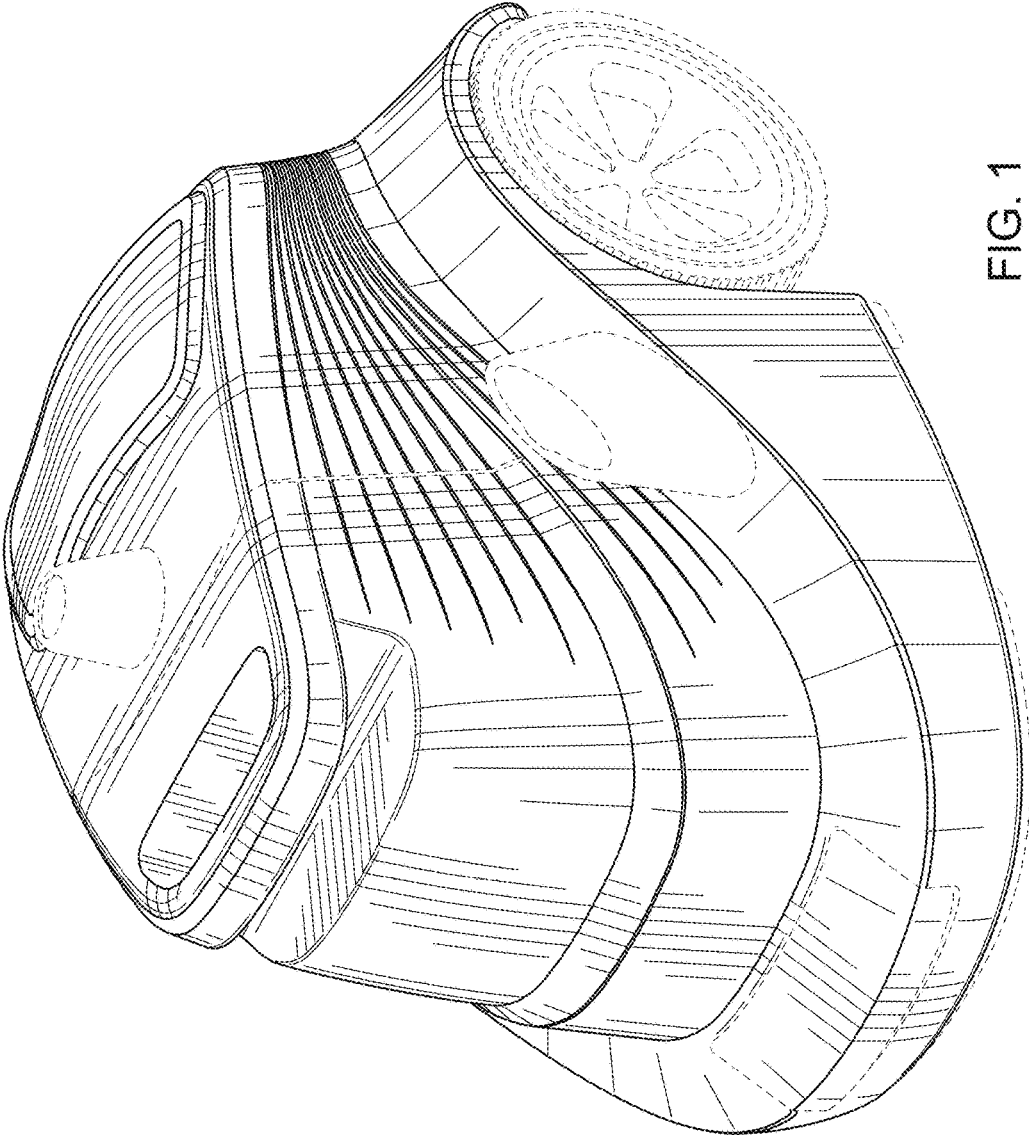


FIG. 1

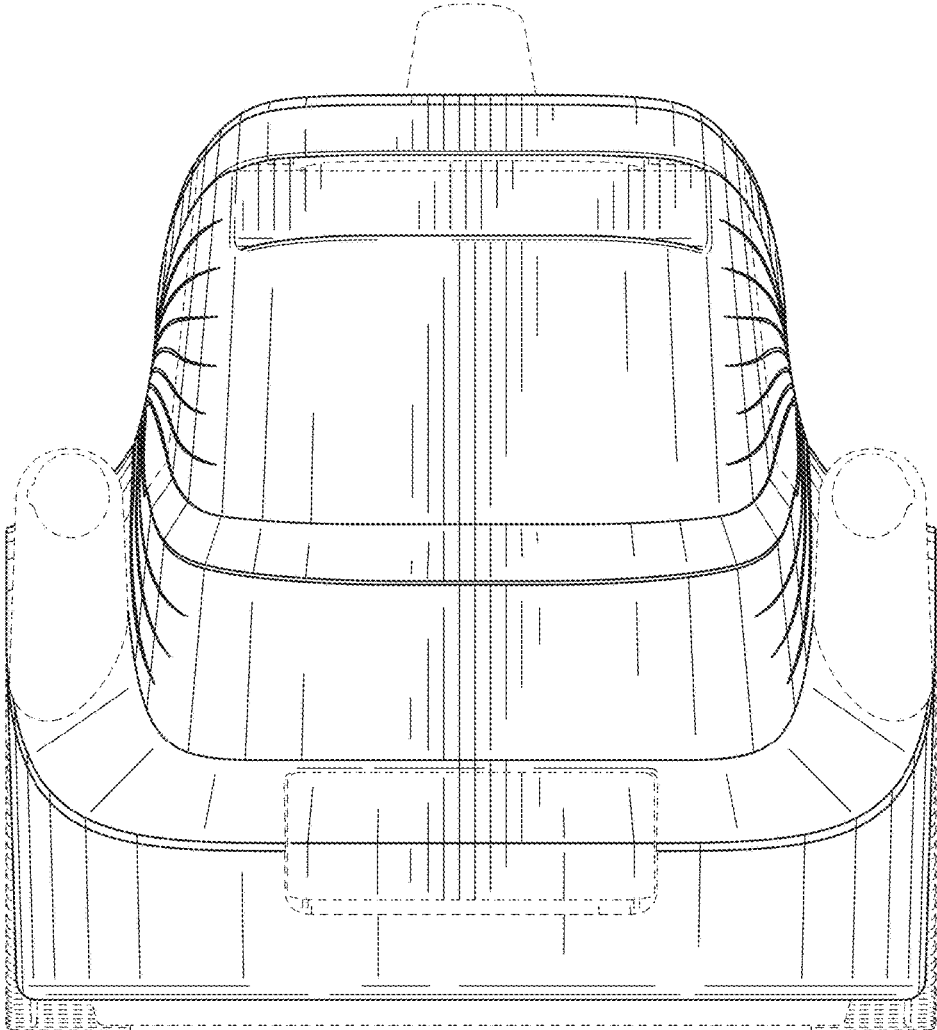


FIG. 2

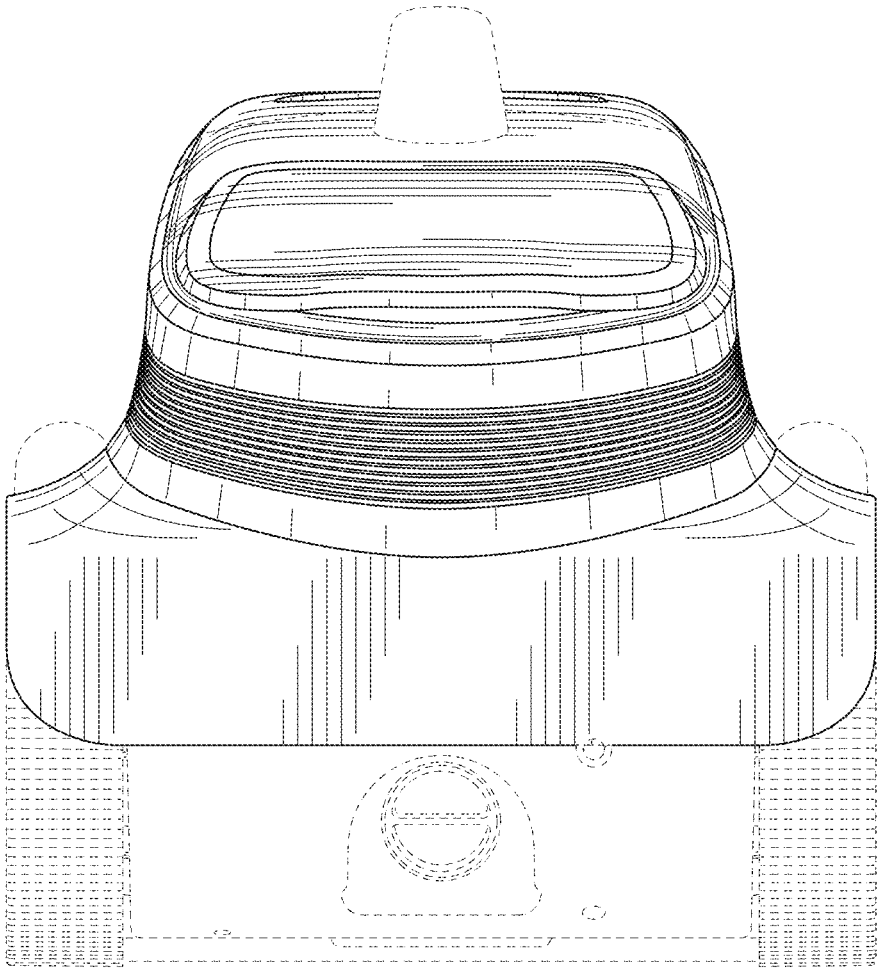


FIG. 3

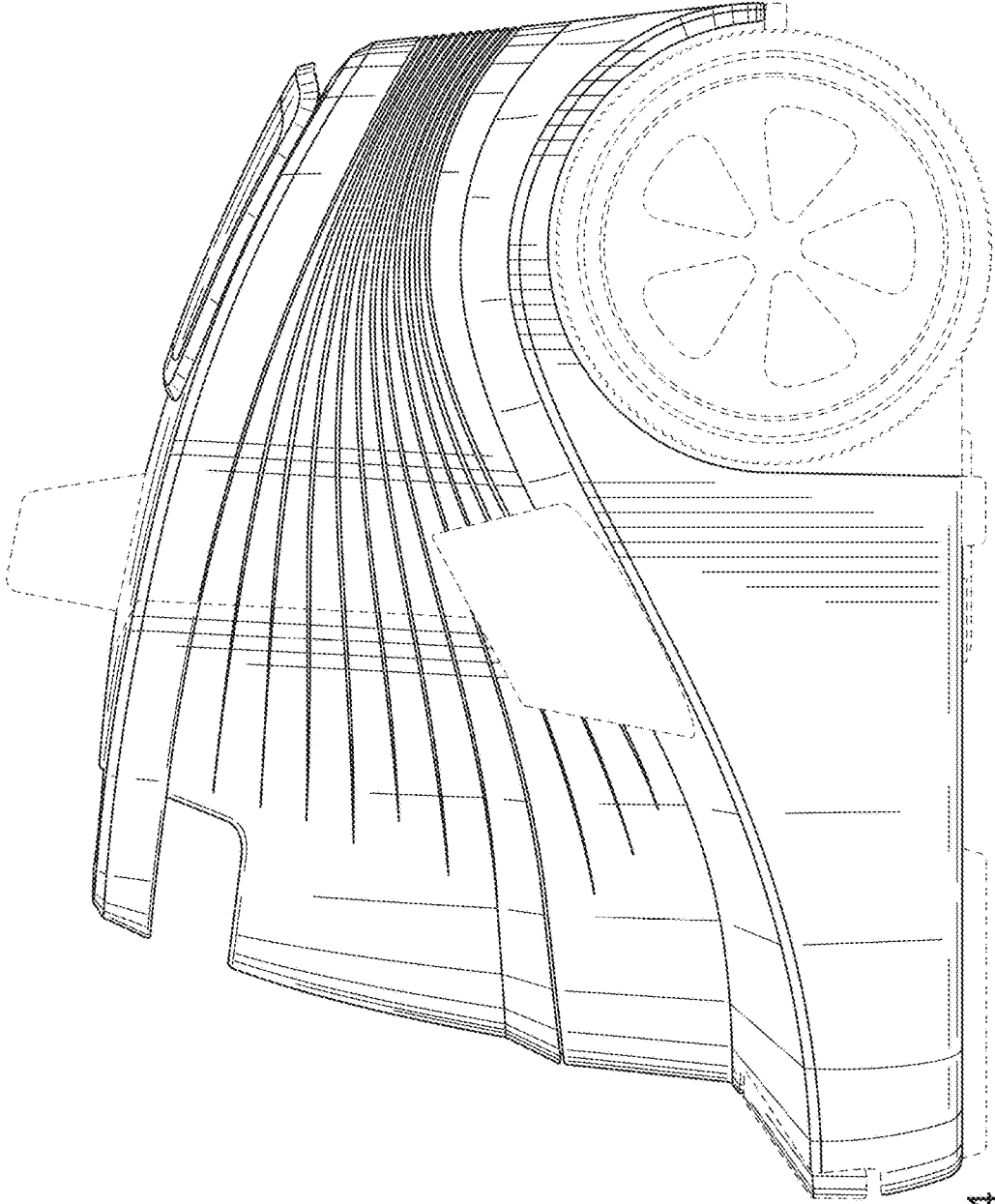


FIG. 4

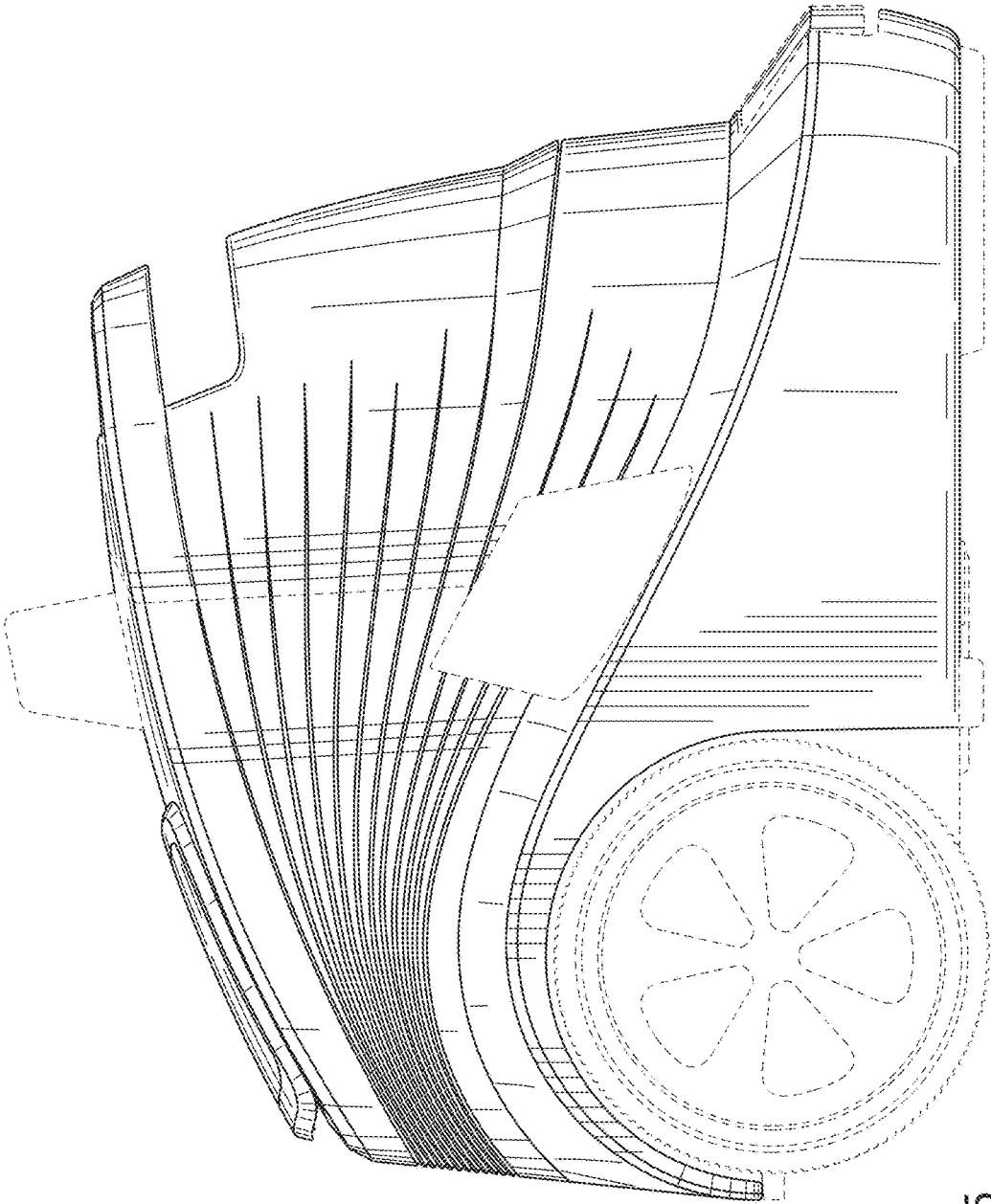


FIG. 5

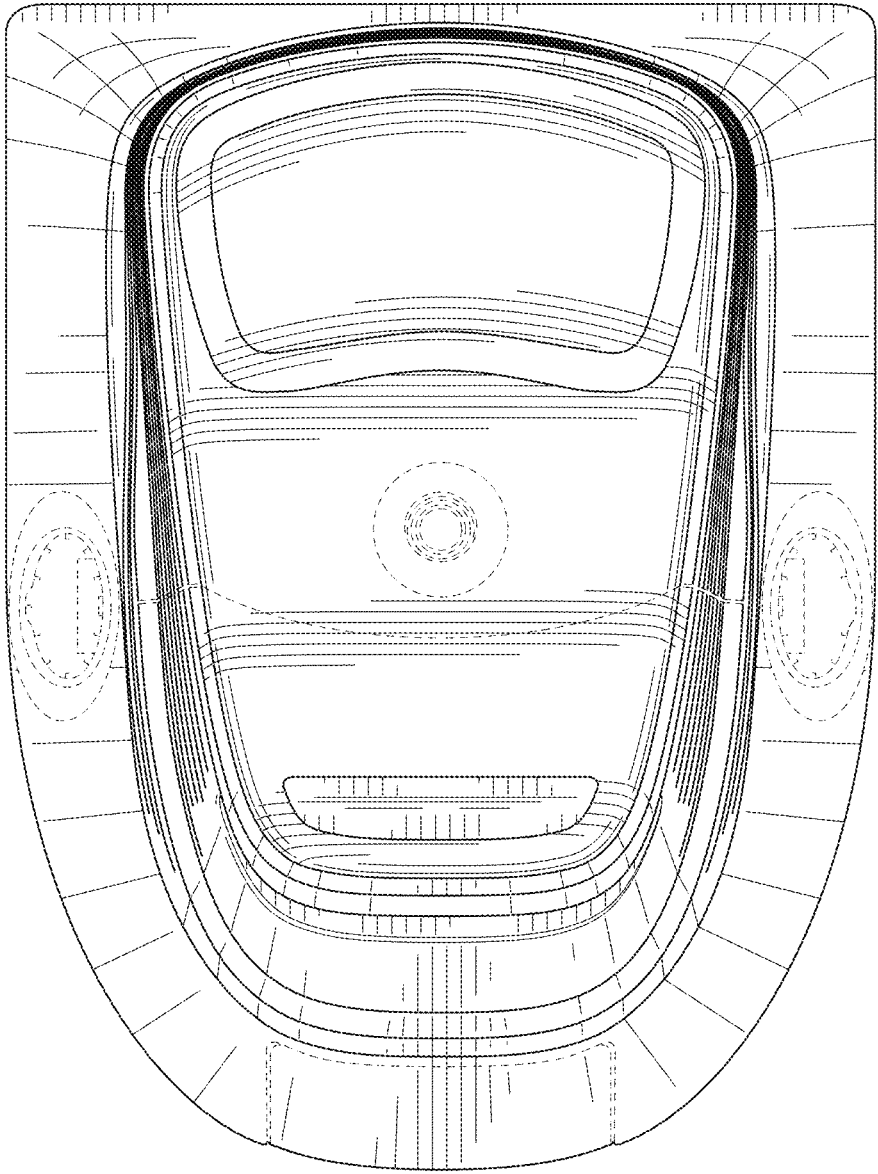


FIG. 6

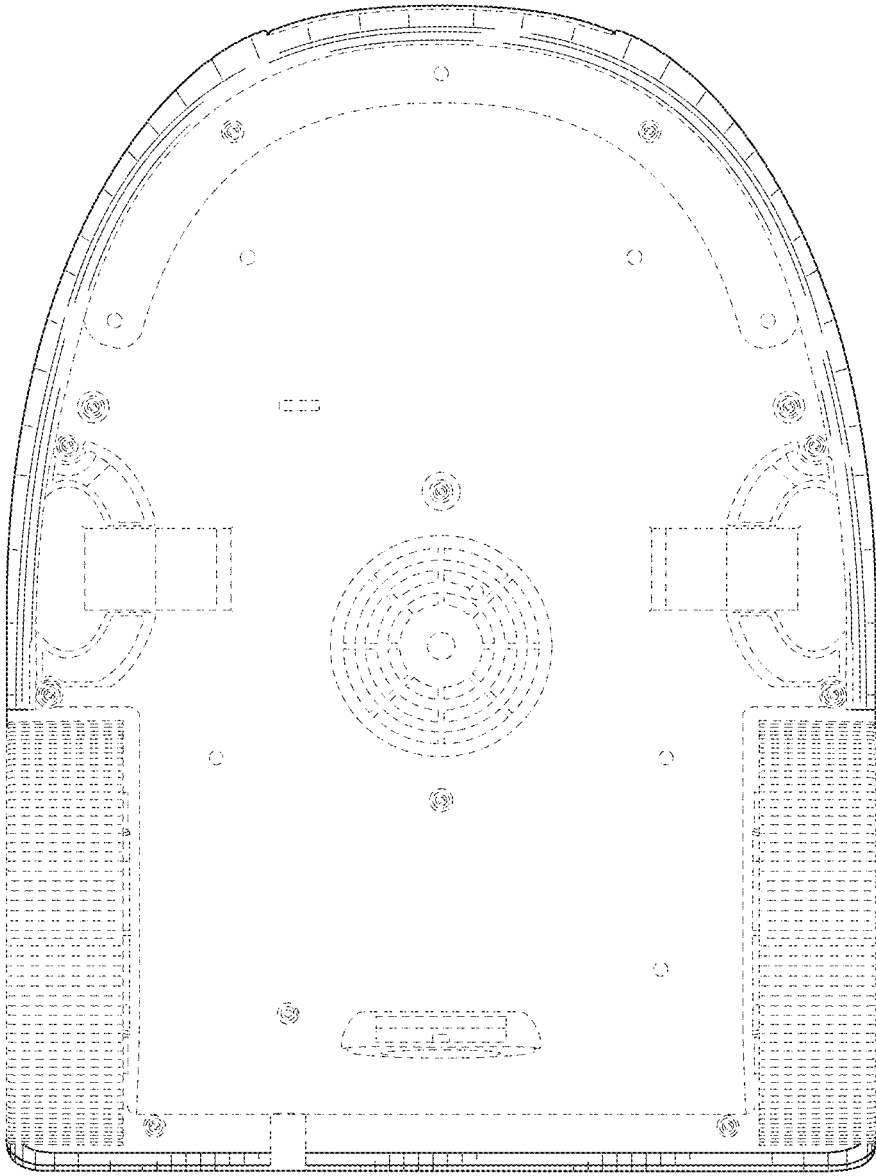


FIG. 7