



US0D1031271S

(12) **United States Design Patent**
Wang

(10) **Patent No.:** **US D1,031,271 S**

(45) **Date of Patent:** **** Jun. 18, 2024**

(54) **TOOTHBRUSH HEAD**

(71) Applicant: **Qi Wang**, Guangdong (CN)

(72) Inventor: **Qi Wang**, Guangdong (CN)

(**) Term: **15 Years**

(21) Appl. No.: **29/921,864**

(22) Filed: **Dec. 19, 2023**

(51) **LOC (14) Cl.** **04-02**

(52) **U.S. Cl.**
USPC **D4/110**

(58) **Field of Classification Search**
USPC D4/100-113; D24/176, 152
CPC A46B 2200/1066; A46B 2200/1073; A46B
2200/1086; A46B 2200/3093; A46B 9/04;
A46B 13/023; A46B 5/0095; A61C
17/16; A61C 17/222
See application file for complete search history.

(56) **References Cited**

U.S. PATENT DOCUMENTS

D480,875 S *	10/2003	De Salvo	D4/101
D824,174 S *	7/2018	Altmann	D4/101
D854,834 S	7/2019	Altmann et al.		
D885,060 S *	5/2020	Orkin	D4/101
D902,600 S *	11/2020	Altmann	D4/101
D935,194 S *	11/2021	Yang	D4/110
D952,350 S *	5/2022	Altmann	D4/101
D958,542 S	7/2022	Zhou		
D972,846 S *	12/2022	Altmann	D4/101
D1,003,607 S *	11/2023	Li	D4/110

FOREIGN PATENT DOCUMENTS

EM 015048398-0003 * 2/2024

OTHER PUBLICATIONS

Schallcare, announced Sep. 19, 2019 [online], [site visited Feb. 20, 2024]. Avail from int, URL: https://www.amazon.com/Schallcare-Replacement-Compatible-toothbrush-Precision/dp/B07Y4Q8JTV/ref=sr_1_1 (Year: 2019).*

Genkent, announced Jun. 15, 2023 [online], [site visited Feb. 20, 2024]. Avail from int, URL: https://www.amazon.com/Replacement-Toothbrush-Compatible-Professional-Electric/dp/B0C85DZ3JJ/ref=sr_1_4 (Year: 2023).*

* cited by examiner

Primary Examiner — Cynthia Ramirez

Assistant Examiner — Tamara L Hahn

(74) *Attorney, Agent, or Firm* — Kunzler Bean & Adamson, PC; Bryan Pitt

(57) **CLAIM**

The ornamental design for a toothbrush head, as shown and described.

DESCRIPTION

FIG. 1 is a front, right and top perspective view of a toothbrush head, showing my design.

FIG. 2 is a rear, left and bottom perspective view thereof.

FIG. 3 is a front elevation view thereof.

FIG. 4 is a rear elevation view thereof.

FIG. 5 is a left side elevation view thereof.

FIG. 6 is a right side elevation view thereof.

FIG. 7 is a top plan view thereof; and,

FIG. 8 is a bottom plan view thereof.

The broken lines depict portions of the toothbrush head that form no part of the claimed design.

1 Claim, 8 Drawing Sheets





FIG. 1

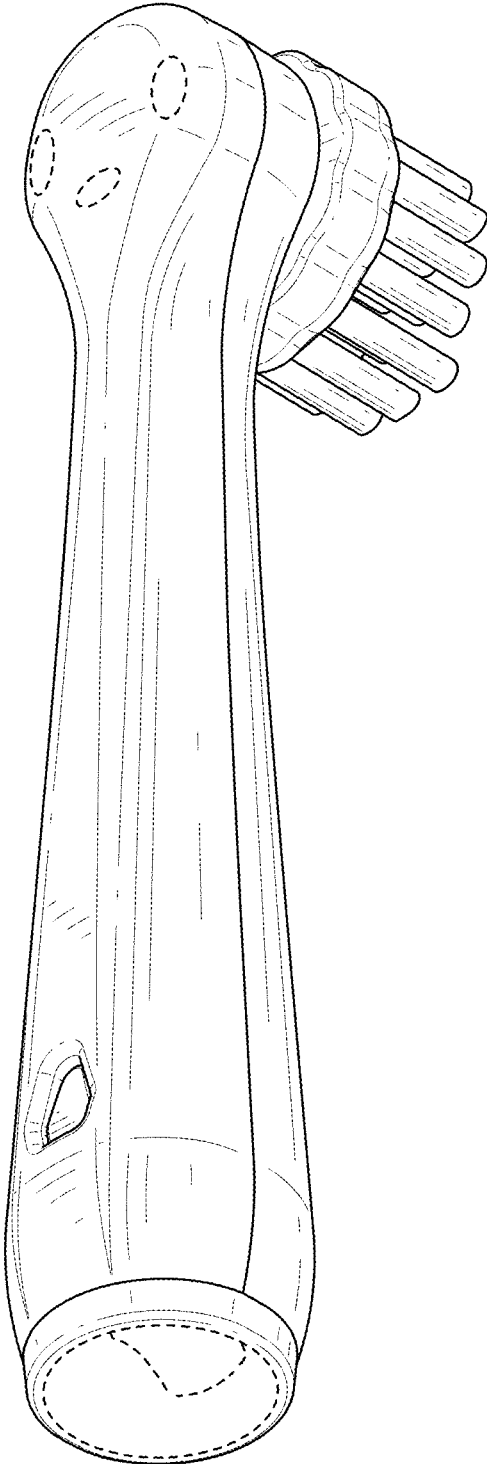


FIG. 2

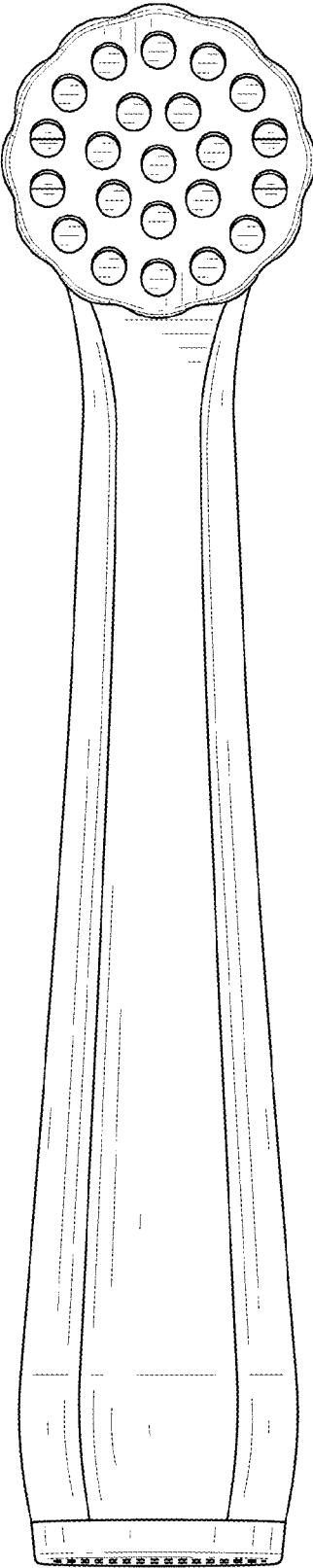


FIG. 3

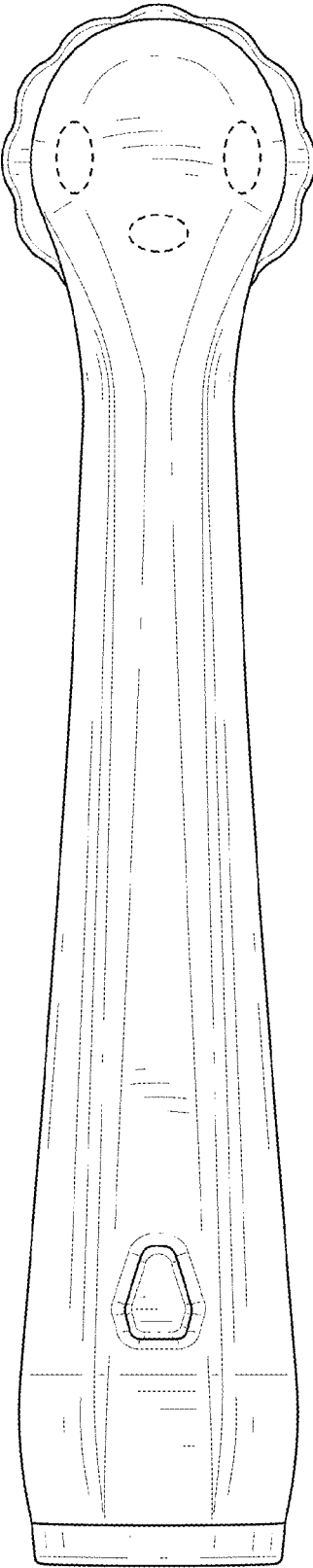


FIG. 4

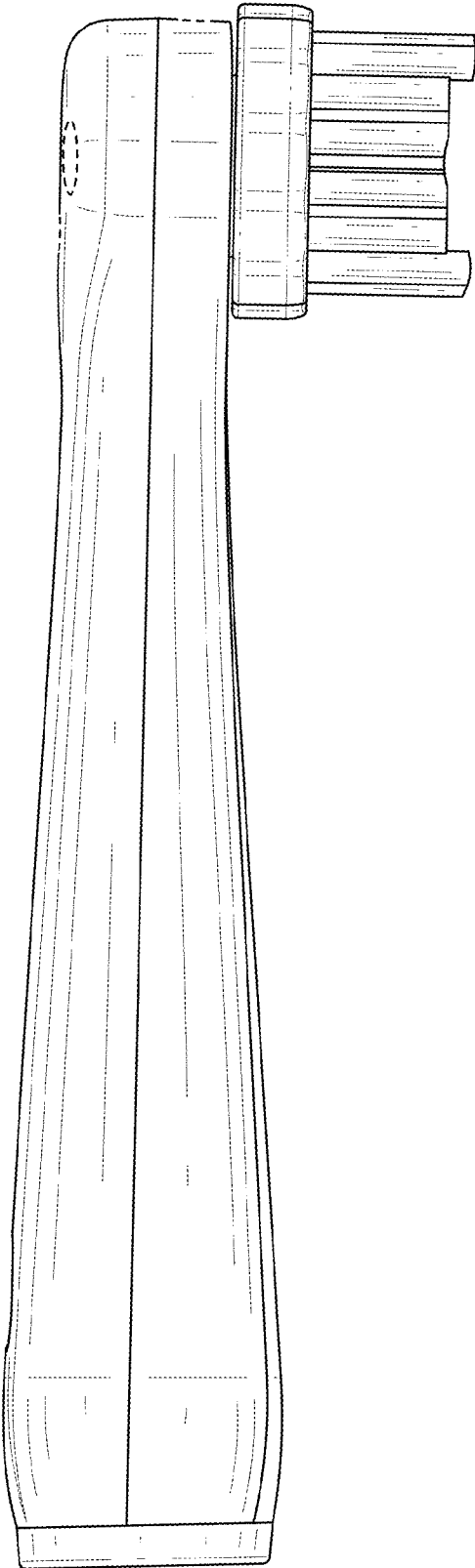


FIG. 5

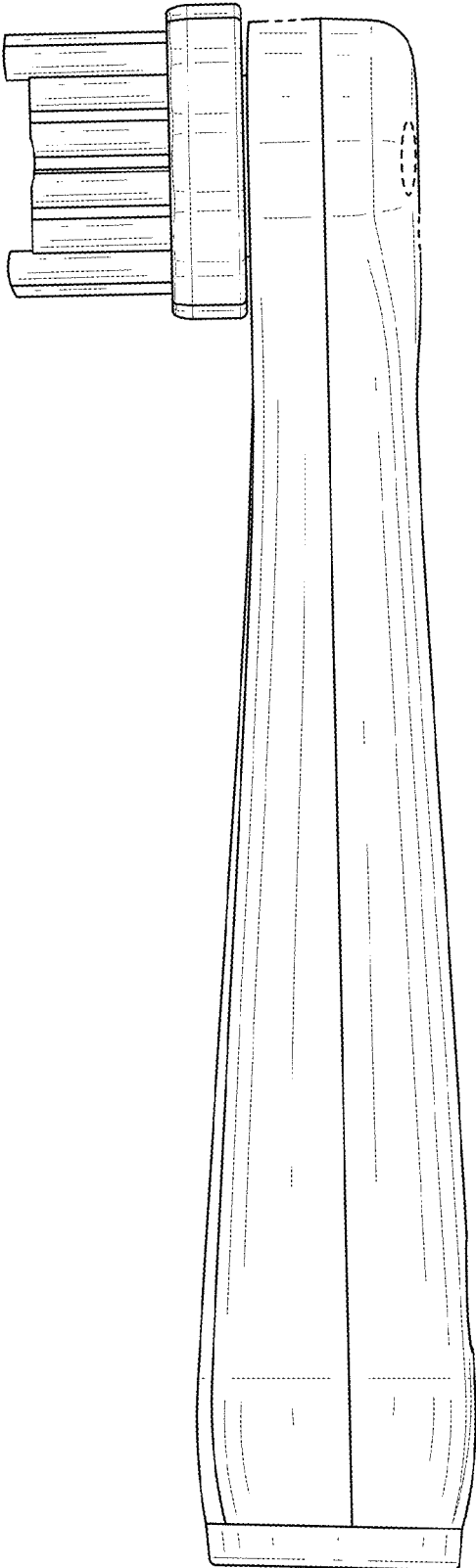


FIG. 6

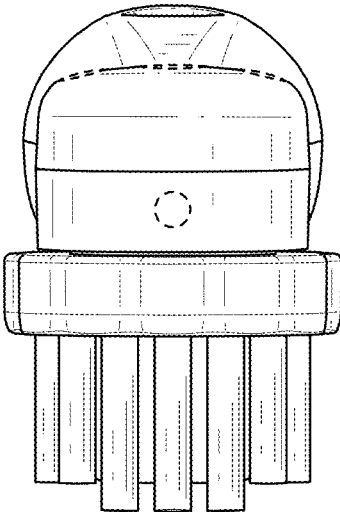


FIG. 7

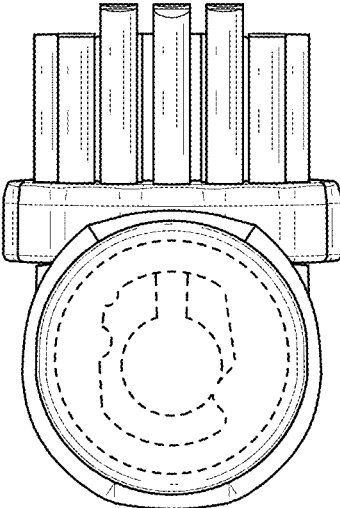


FIG. 8