



US00D641069S

(12) **United States Design Patent**
Sabato

(10) **Patent No.:** **US D641,069 S**
(45) **Date of Patent:** **** Jul. 5, 2011**

(54) **BIDET ATTACHMENT FOR A TOILET**

(76) Inventor: **Frank Sabato**, Las Vegas, NV (US)

(**) Term: **14 Years**

(21) Appl. No.: **29/367,697**

(22) Filed: **Aug. 11, 2010**

(51) **LOC (9) Cl.** **23-01**

(52) **U.S. Cl.** **D23/233**

(58) **Field of Classification Search** D23/233,
D23/276, 295, 303, 309; 4/420.1-420.5,
4/443-448

See application file for complete search history.

(56) **References Cited**

U.S. PATENT DOCUMENTS

5,023,961	A	6/1991	Alonso	
D329,492	S *	9/1992	New	D23/295
D331,454	S *	12/1992	New	D23/309
5,287,566	A	2/1994	Azada	
5,419,363	A	5/1995	Robinson	
5,652,971	A *	8/1997	Wokas	4/420.4
5,685,028	A *	11/1997	Miller et al.	4/443
6,357,057	B1 *	3/2002	Krist	4/420.4
6,397,406	B1 *	6/2002	Moshkovich	4/420.4
6,453,489	B1	9/2002	Lee et al.	
6,473,913	B1 *	11/2002	Bell, Sr.	4/448
6,643,856	B2	11/2003	Valverde	
6,718,564	B2	4/2004	Duncan et al.	
6,785,915	B1	9/2004	Daugherty	
6,941,590	B2	9/2005	Lim	
6,973,679	B1	12/2005	Schad	
6,978,492	B1	12/2005	Francisco	
7,461,414	B2	12/2008	Santa Cruz et al.	
2004/0148689	A1 *	8/2004	Patalinghug	4/420.4
2004/0216224	A1	11/2004	Smith	
2006/0037129	A1 *	2/2006	Bhatnagar	4/420.4
2007/0061956	A1	3/2007	Yu et al.	
2008/0216226	A1	9/2008	Hamlin	

* cited by examiner

Primary Examiner — Cathron C. Brooks

Assistant Examiner — Maurice Stevens

(74) *Attorney, Agent, or Firm* — Veronica-Adele R. Cao;
Weiss & Moy, P.C.

(57) **CLAIM**

The ornamental design for a bidet attachment for a toilet, as shown and described.

DESCRIPTION

FIG. 1 is an elevated perspective view of a bidet attachment in accordance with the present invention shown coupled to a toilet.

FIG. 2 is a perspective view of the bidet attachment of FIG. 1, with the cord shown broken away in the middle to indicate indeterminate length.

FIG. 3 is a right side view of the bidet attachment of FIG. 1, with the cord shown broken away in the middle to indicate indeterminate length.

FIG. 4 is a left side view of a spray nozzle portion of the bidet attachment of FIG. 1 shown separately for ease of illustration.

FIG. 5 is a front view of the spray nozzle portion of the bidet attachment of FIG. 1 shown separately for ease of illustration.

FIG. 6 is a top view of the spray nozzle portion of the bidet attachment of FIG. 1 shown separately for ease of illustration.

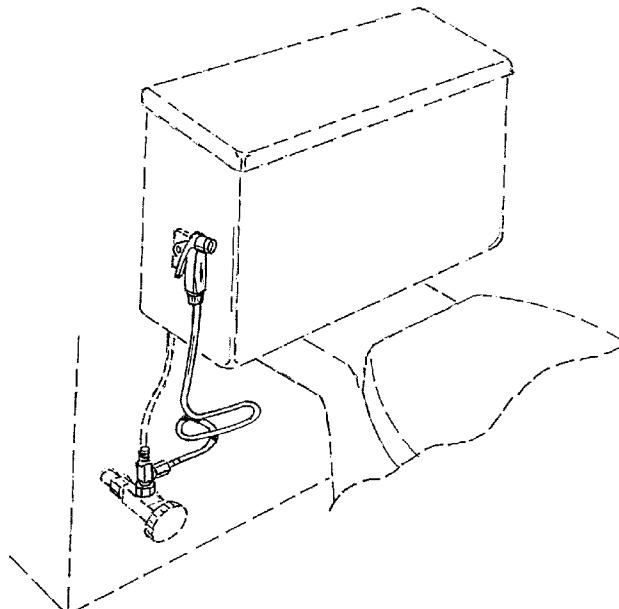
FIG. 7 is a rear view of the spray nozzle portion of the bidet attachment of FIG. 1 shown separately for ease of illustration.

FIG. 8 is a bottom view of a T-shaped compression fitting portion of the bidet attachment of FIG. 1 shown separately for ease of illustration; and,

FIG. 9 is a left side view of the T-shaped compression fitting portion of the bidet attachment of FIG. 1 shown separately for ease of illustration.

The broken lines showing unclaimed portions of a bidet attachment form no part of the claimed design.

1 Claim, 2 Drawing Sheets



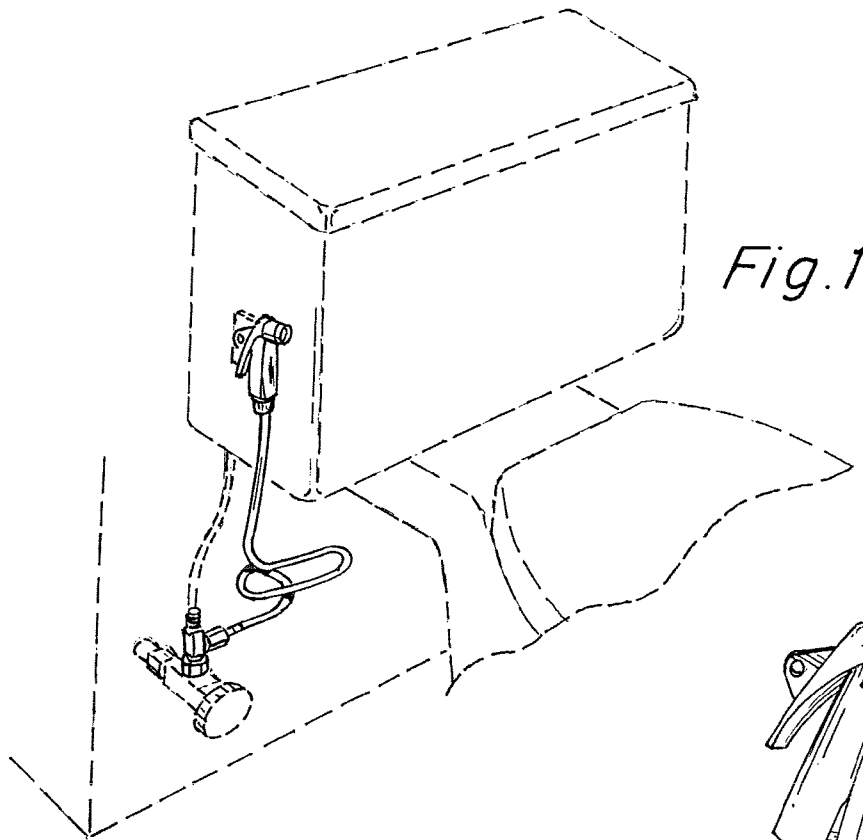


Fig. 1

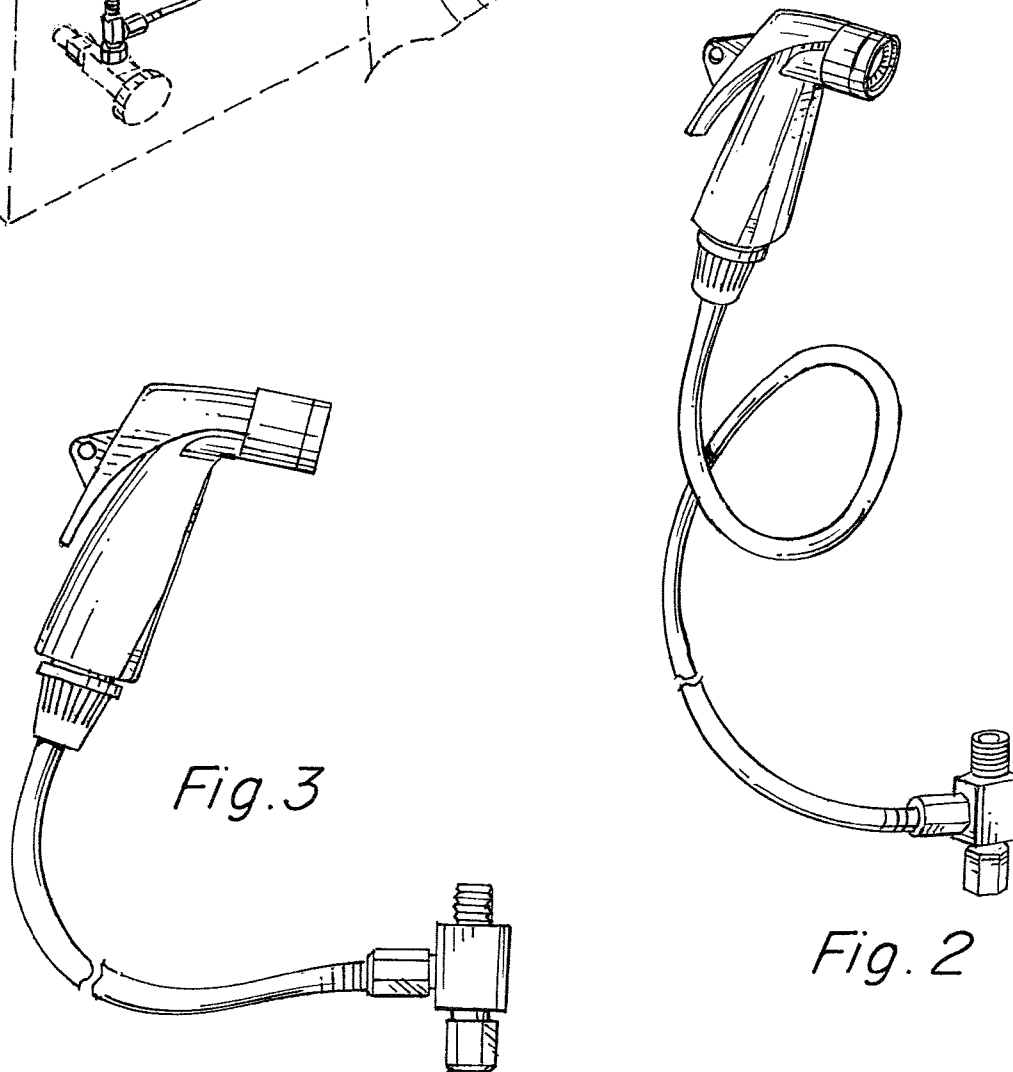


Fig. 3

Fig. 2

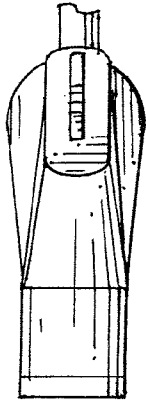


Fig. 6

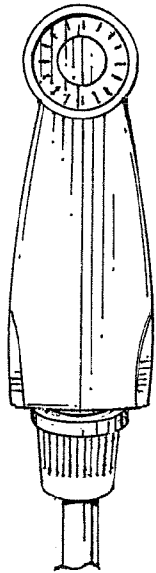


Fig. 5

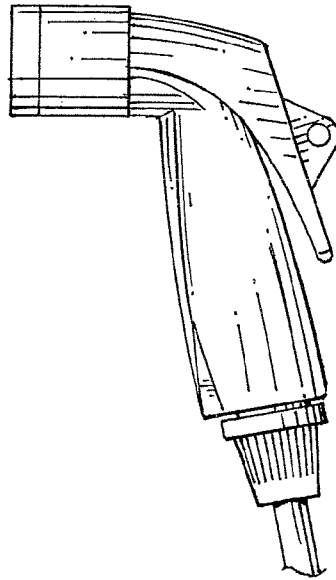


Fig. 4

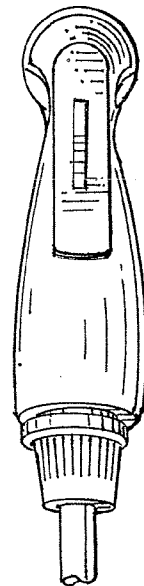


Fig. 7



Fig. 8



Fig. 9