



US00D656174S

(12) **United States Design Patent**
Ogawa et al.

(10) **Patent No.:** **US D656,174 S**

(45) **Date of Patent:** **** Mar. 20, 2012**

(54) **PROJECTOR**

(75) Inventors: **Susumu Ogawa**, Tokyo (JP); **Yukihiko Oota**, Tokyo (JP); **Junsi Lee**, Tokyo (JP); **Yuichiro Nara**, Tokyo (JP); **Mariko Ouchi**, Tokyo (JP)

(73) Assignee: **NEC Display Solutions, Ltd.**, Tokyo (JP)

(**) Term: **14 Years**

(21) Appl. No.: **29/379,868**

(22) Filed: **Nov. 24, 2010**

(30) **Foreign Application Priority Data**

May 28, 2010 (JP) 2010-013276

(51) **LOC (9) Cl.** **16-02**

(52) **U.S. Cl.** **D16/230; D16/225**

(58) **Field of Classification Search** D16/205, D16/208, 221, 225, 230-231, 234, 229; D21/514; 353/115, 119, 122, 88, 101; 396/448

See application file for complete search history.

(56) **References Cited**

U.S. PATENT DOCUMENTS

D470,525 S * 2/2003 Nakayama et al. D16/231
D544,898 S * 6/2007 Kawabe et al. D16/230

D548,264 S * 8/2007 Sakamaki et al. D16/230
D574,875 S * 8/2008 Sakamaki et al. D16/230
D591,784 S * 5/2009 Inoue et al. D16/230
D597,581 S * 8/2009 Sakamaki et al. D16/230
D606,110 S * 12/2009 Inoue et al. D16/230
7,677,739 B2 * 3/2010 Kuroda 353/88
D614,684 S * 4/2010 Inoue et al. D16/230
D615,575 S * 5/2010 Inoue et al. D16/230

* cited by examiner

Primary Examiner — Wan Laymon

(74) *Attorney, Agent, or Firm* — Sughrue Mion, PLLC

(57) **CLAIM**

The ornamental design for a projector, as shown and described.

DESCRIPTION

FIG. 1 is a front, right side, top perspective view of a projector showing our new design;

FIG. 2 is a front elevational view thereof;

FIG. 3 is a rear elevational view thereof;

FIG. 4 is a left side view thereof;

FIG. 5 is a right side view thereof;

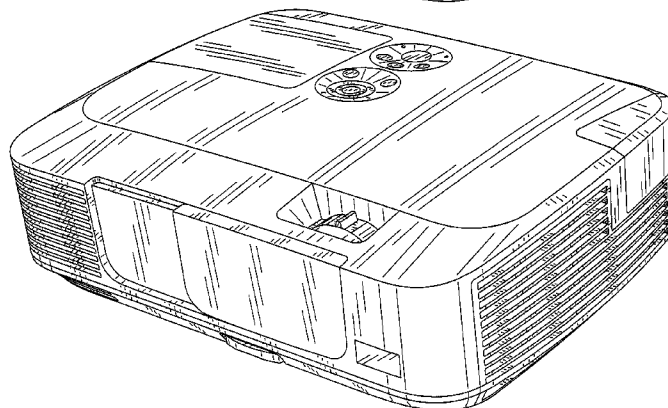
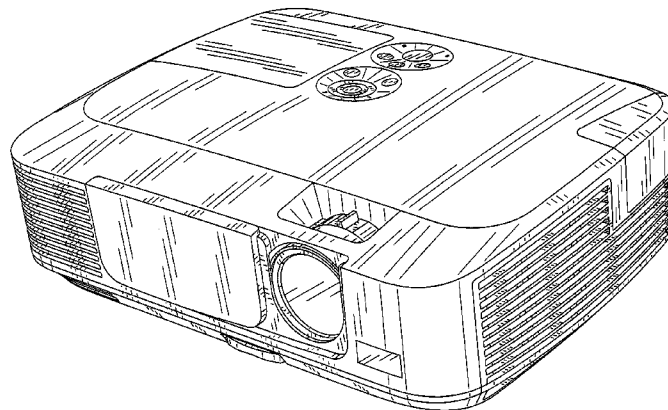
FIG. 6 is a top plan view thereof;

FIG. 7 is a bottom plan view thereof; and,

FIG. 8 is a perspective view thereof, showing a state in which a lens cover is closed.

The portions of the projector shown in broken lines form no part of the claimed design.

1 Claim, 8 Drawing Sheets



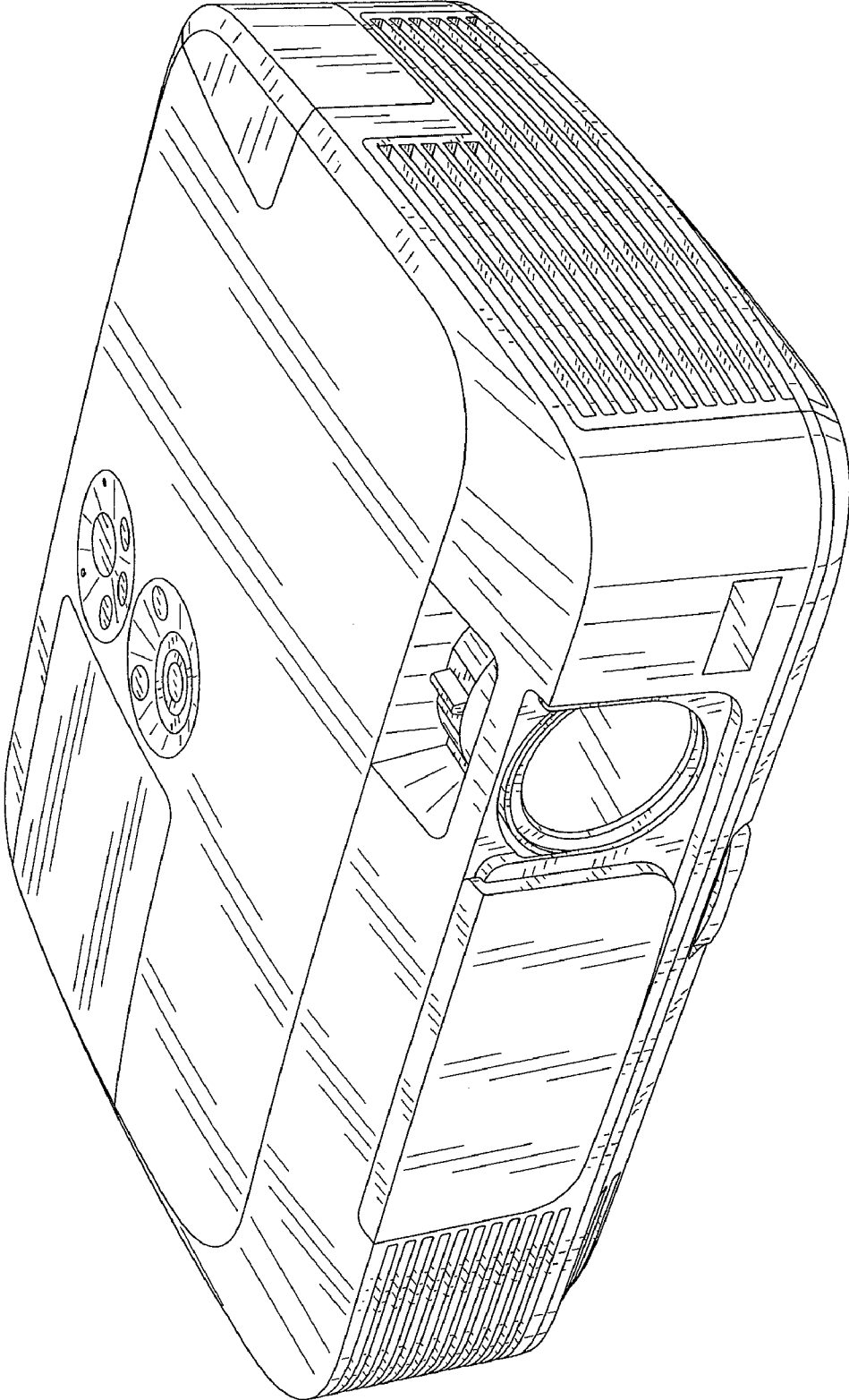


FIG. 1

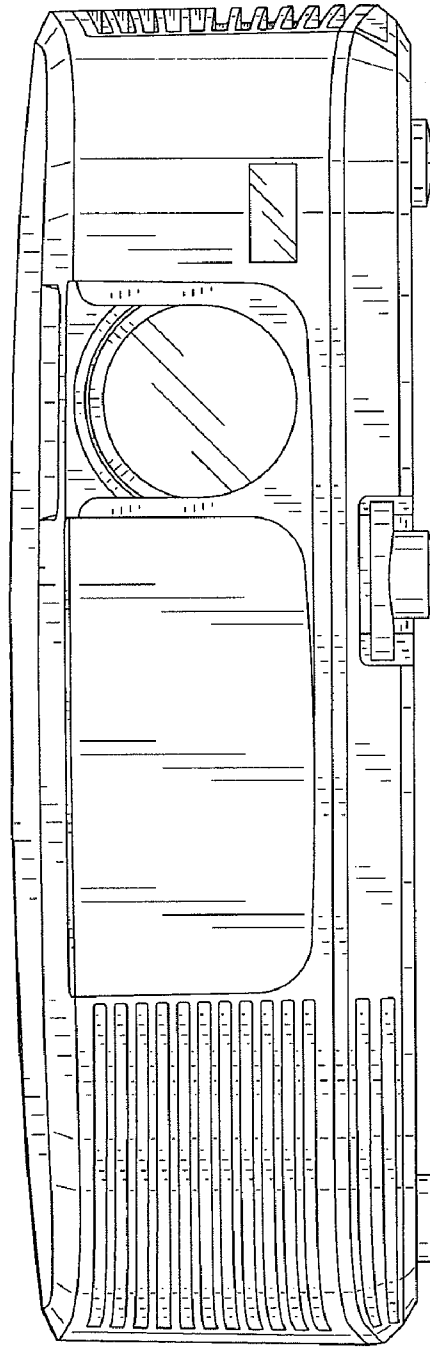


FIG. 2

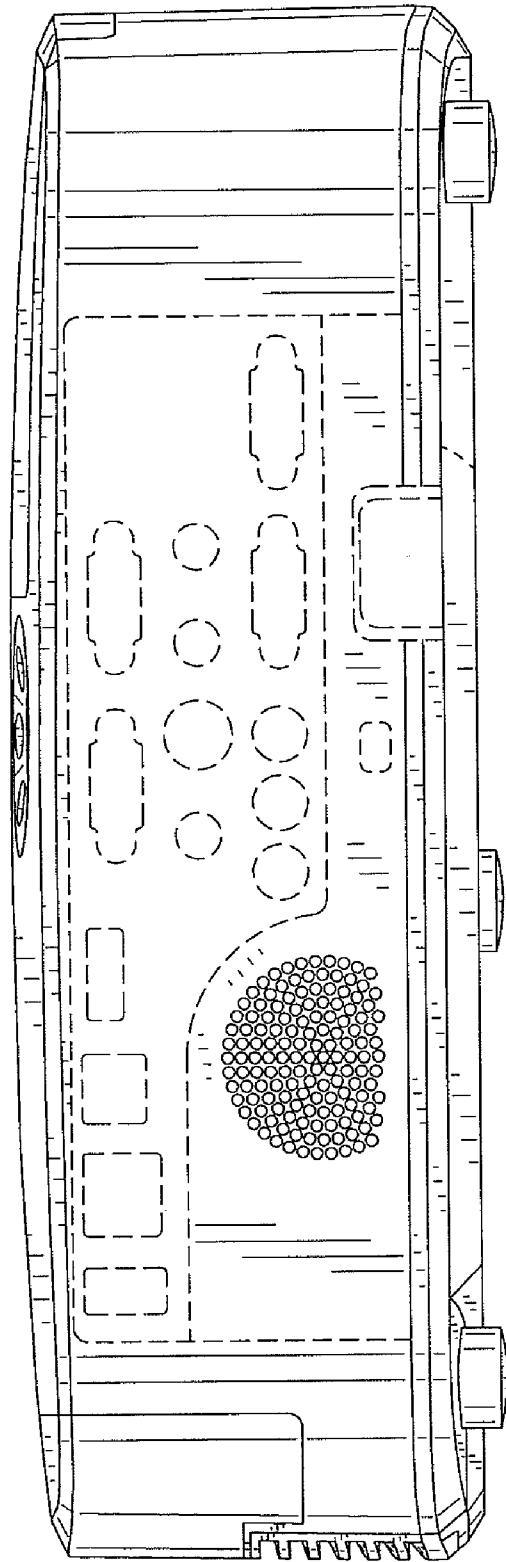


FIG. 3

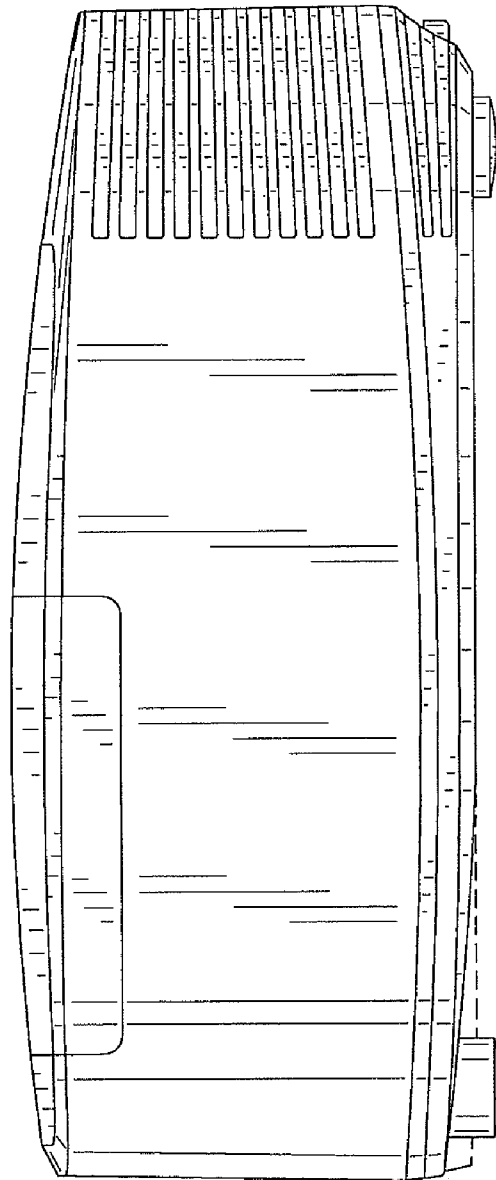


FIG. 4

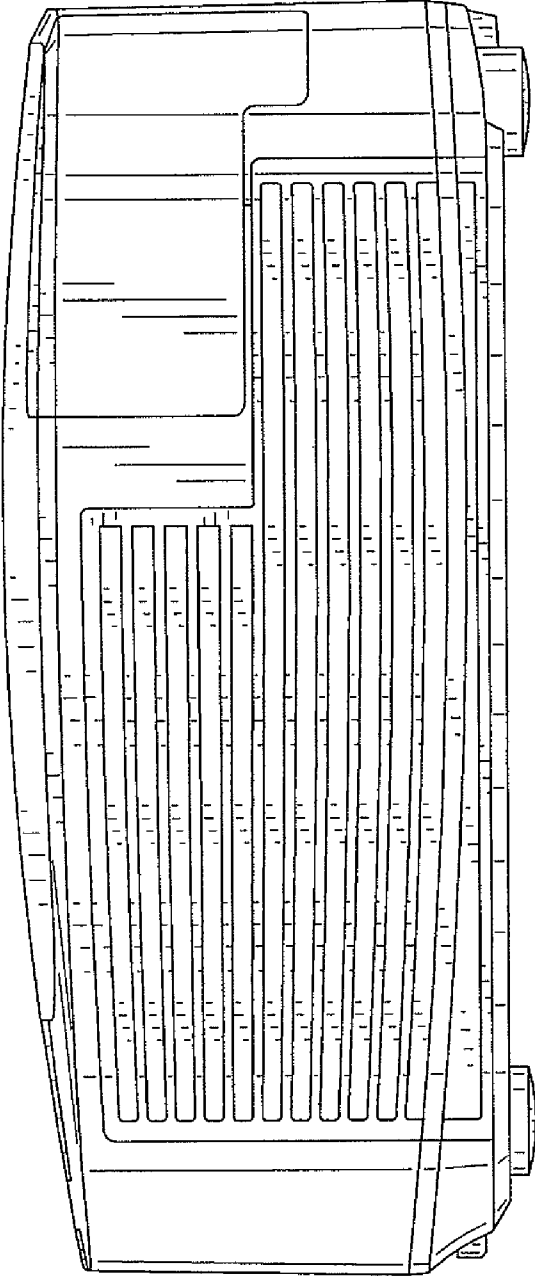


FIG. 5

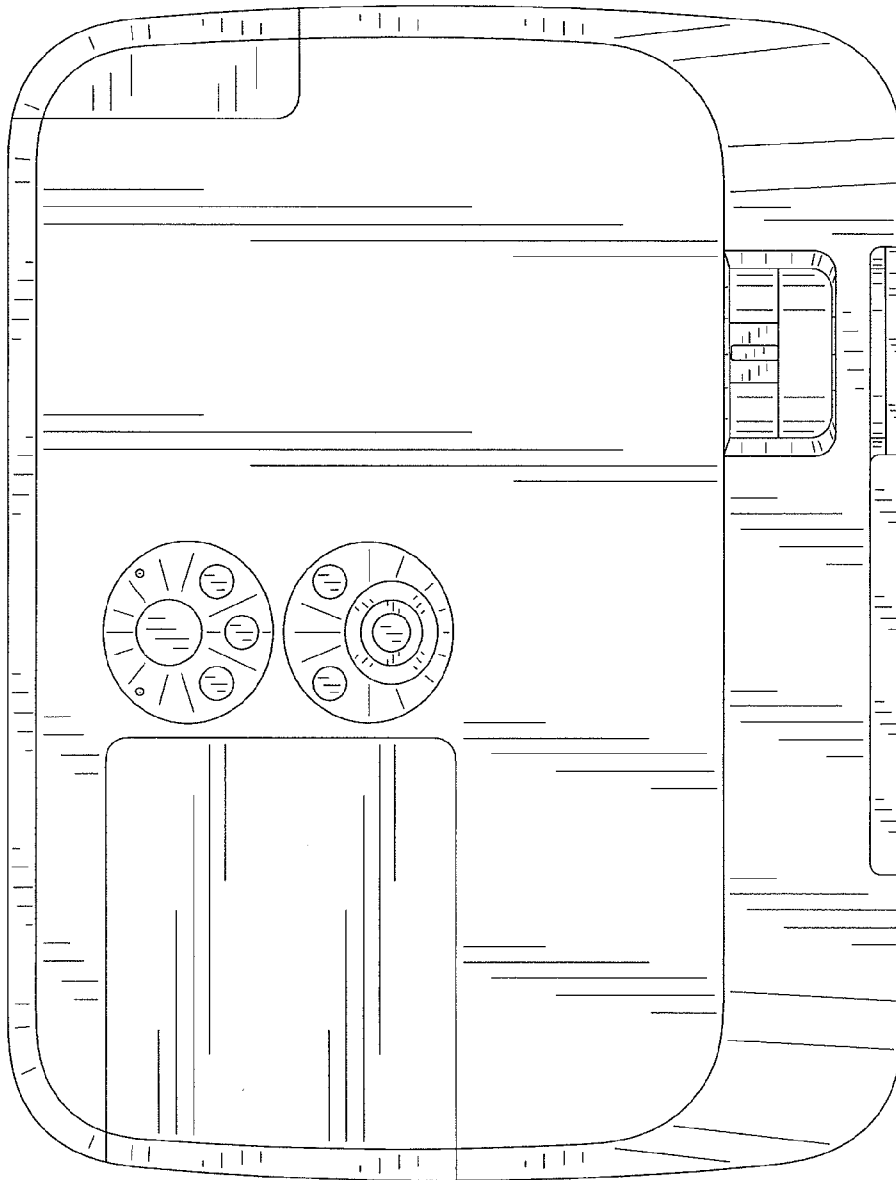


FIG. 6

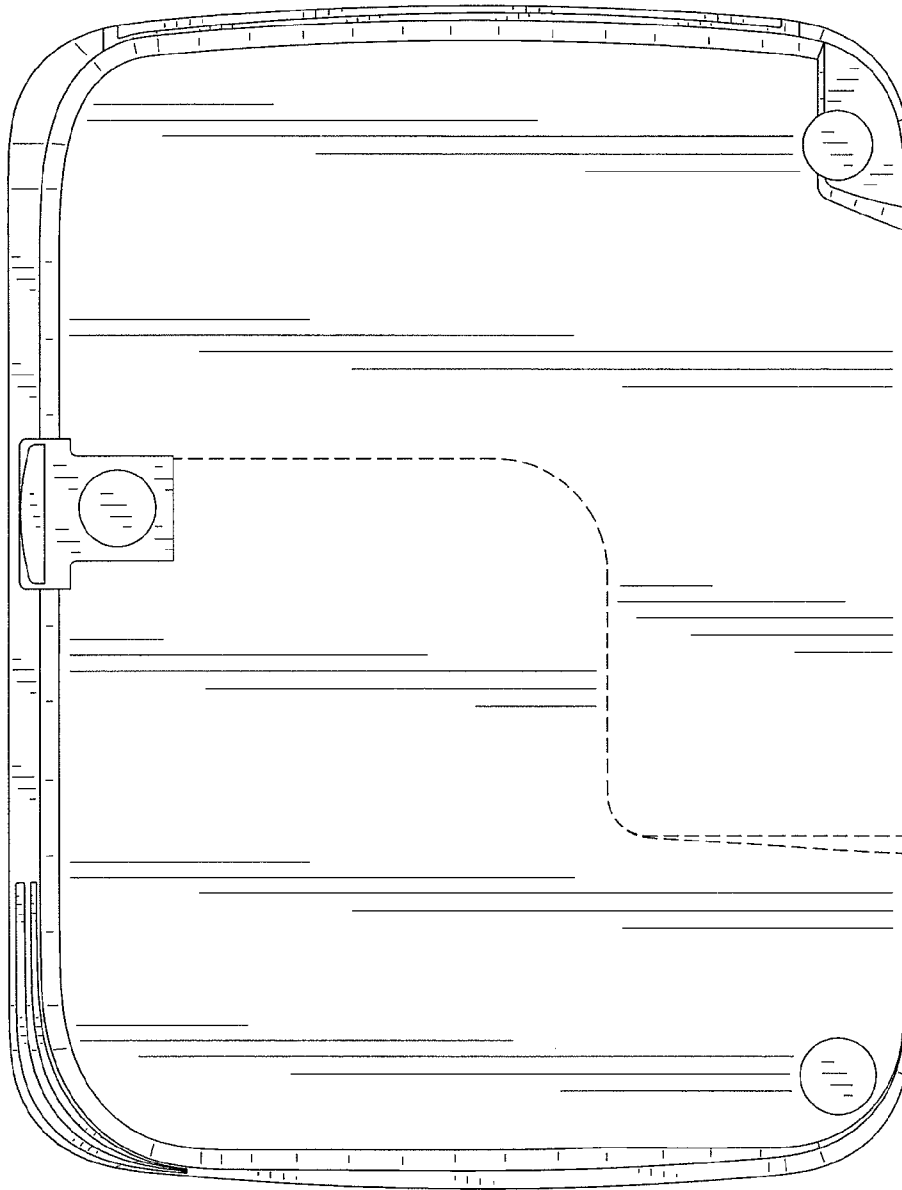


FIG. 7

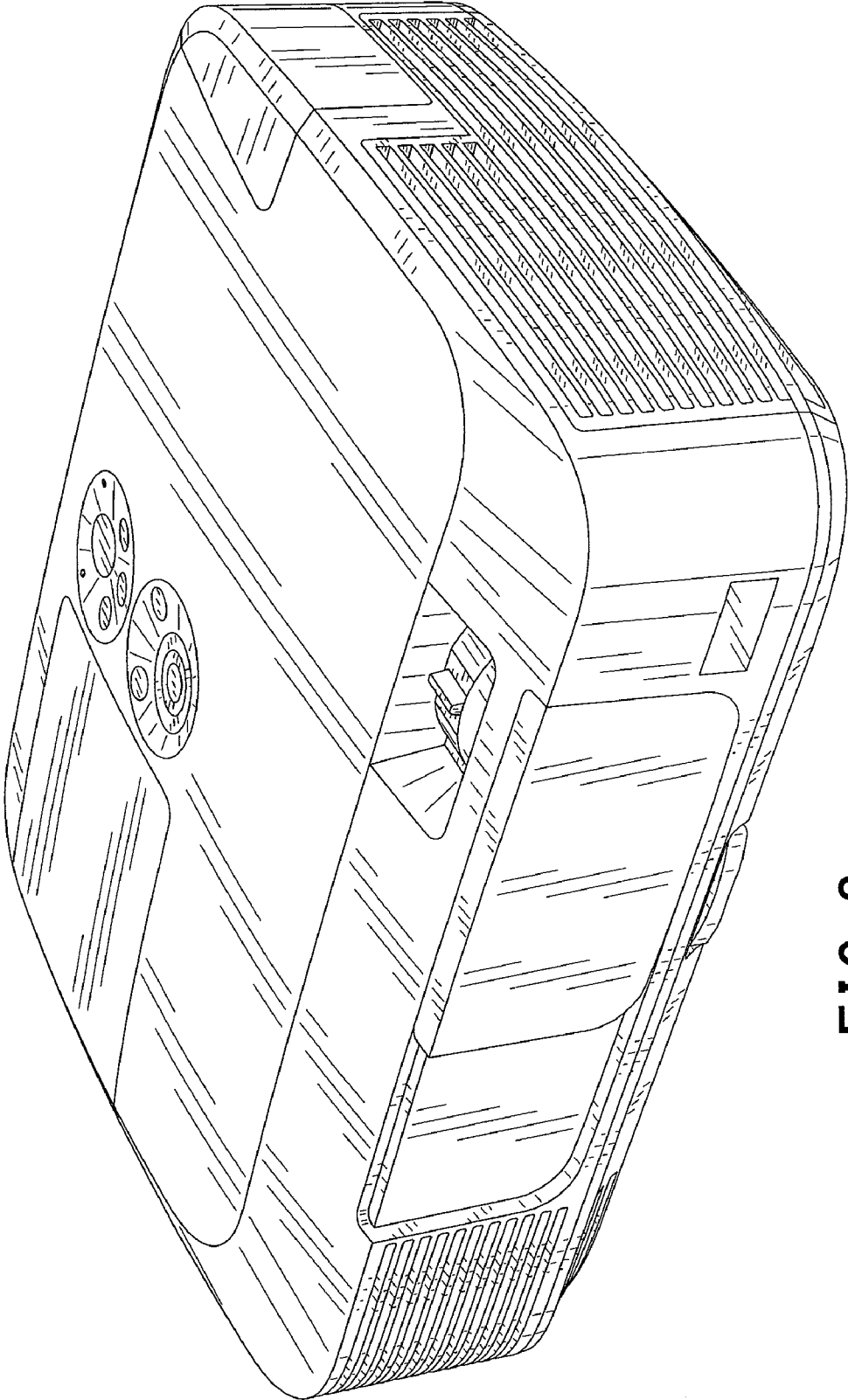


FIG. 8