



US00D995250S

(12) **United States Design Patent**
Xu et al.

(10) **Patent No.:** **US D995,250 S**

(45) **Date of Patent:** **** Aug. 15, 2023**

(54) **JIG SAW**

(71) Applicant: **ZHEJIANG MINLI POWER TOOLS CO., LTD.**, Jinhua (CN)

(72) Inventors: **Feng Xu**, Zhejiang (CN); **Weiqi Tong**, Zhejiang (CN); **Mingliang Zhu**, Zhejiang (CN)

(**) Term: **15 Years**

(21) Appl. No.: **35/515,126**

(22) Filed: **Jul. 26, 2022**

(80) **Hague Agreement Data**

Int. Filing Date: **Jul. 26, 2022**

Int. Reg. No.: **DM/223294**

Int. Reg. Date: **Jul. 26, 2022**

Int. Reg. Pub. Date: **Sep. 16, 2022**

(51) **LOC (14) Cl.** **08-03**

(52) **U.S. Cl.**
USPC **D8/64**

(58) **Field of Classification Search**

USPC D8/69, 68, 67, 66, 64, 61; 83/747, 83/699.21; 310/50; 30/394, 393, 392, 30/391, 390, 377, 376; 173/216, 217

CPC B27B 19/09; B23D 49/162; B23D 49/165; B23D 49/167; B25F 5/02

See application file for complete search history.

(56) **References Cited**

U.S. PATENT DOCUMENTS

D423,314 S * 4/2000 Robson D8/64
D451,356 S * 12/2001 Pretzell D8/64

D465,713 S * 11/2002 Keller D8/64
D519,346 S * 4/2006 Wu D8/64
D519,804 S * 5/2006 Wu D8/64
D532,664 S * 11/2006 Wu D8/64
D559,642 S * 1/2008 Taniguchi D8/64
D560,455 S * 1/2008 Yamamoto D8/64
D562,096 S * 2/2008 Taniguchi D8/64
D572,555 S * 7/2008 Baumgaertner D8/64
D752,405 S * 3/2016 Ishikawa D8/64
D792,182 S * 7/2017 Ishikawa D8/64

* cited by examiner

Primary Examiner — Austin Murphy

(57) **CLAIM**

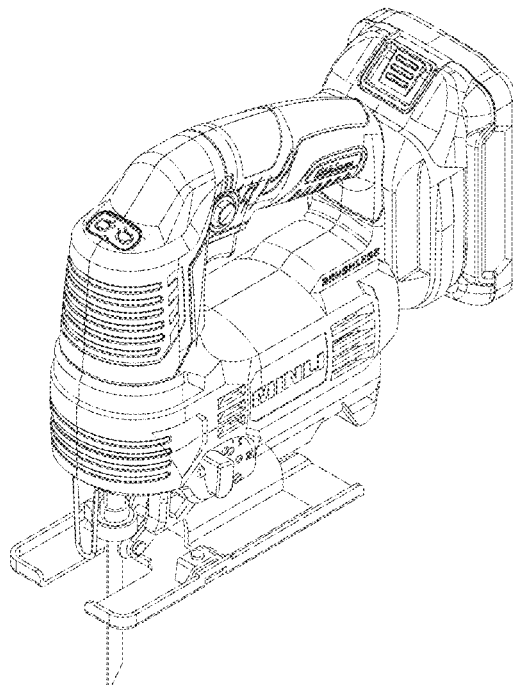
The ornamental design for a jig saw, as shown and described.

DESCRIPTION

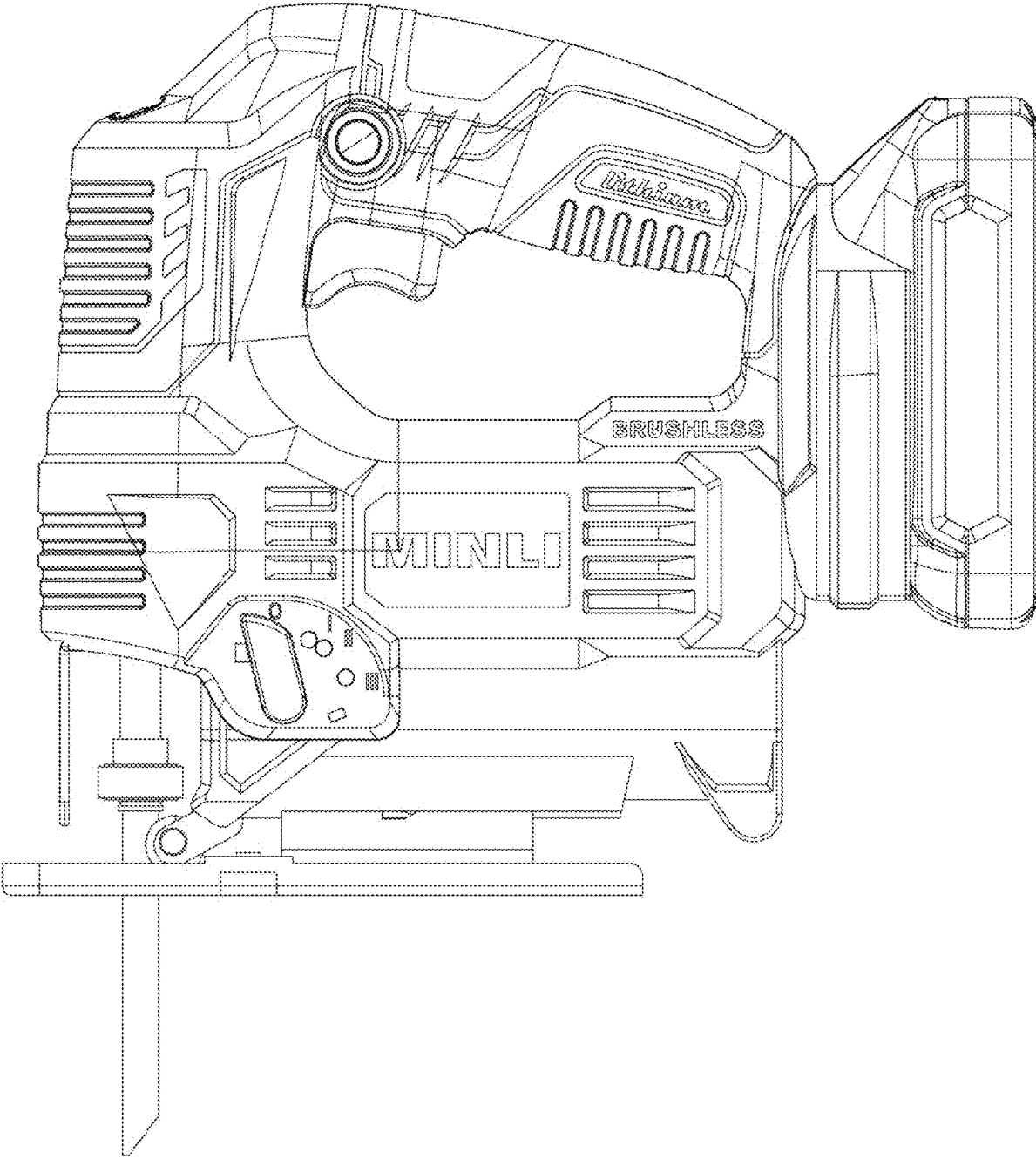
- 1. Jig saw
- 1.1 : Front
- 1.2 : Back
- 1.3 : Left
- 1.4 : Right
- 1.5 : Top
- 1.6 : Bottom
- 1.7 : Perspective

The design consists of the features of shape and configuration of the jig saw shown in the attached drawings, wherein: fig. 1.1 is a front view of the design; fig. 1.2 is a rear view of the design; fig. 1.3 is a left side view of the design; fig. 1.4 is a right side view of the design; fig. 1.5 is a top plan view of the design; fig. 1.6 is a bottom plan view of the design; fig. 1.7 is a perspective view of the design.

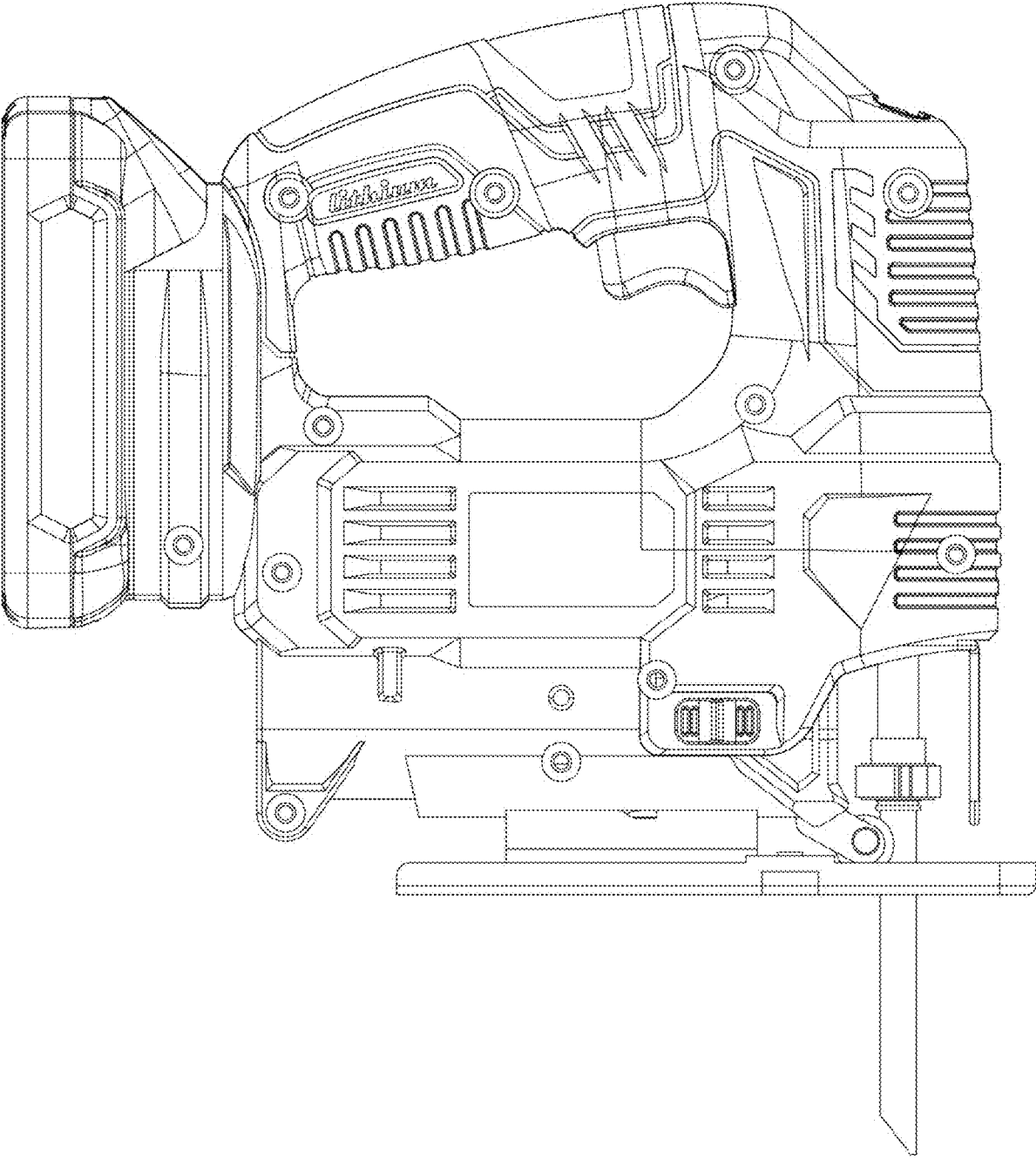
1 Claim, 7 Drawing Sheets



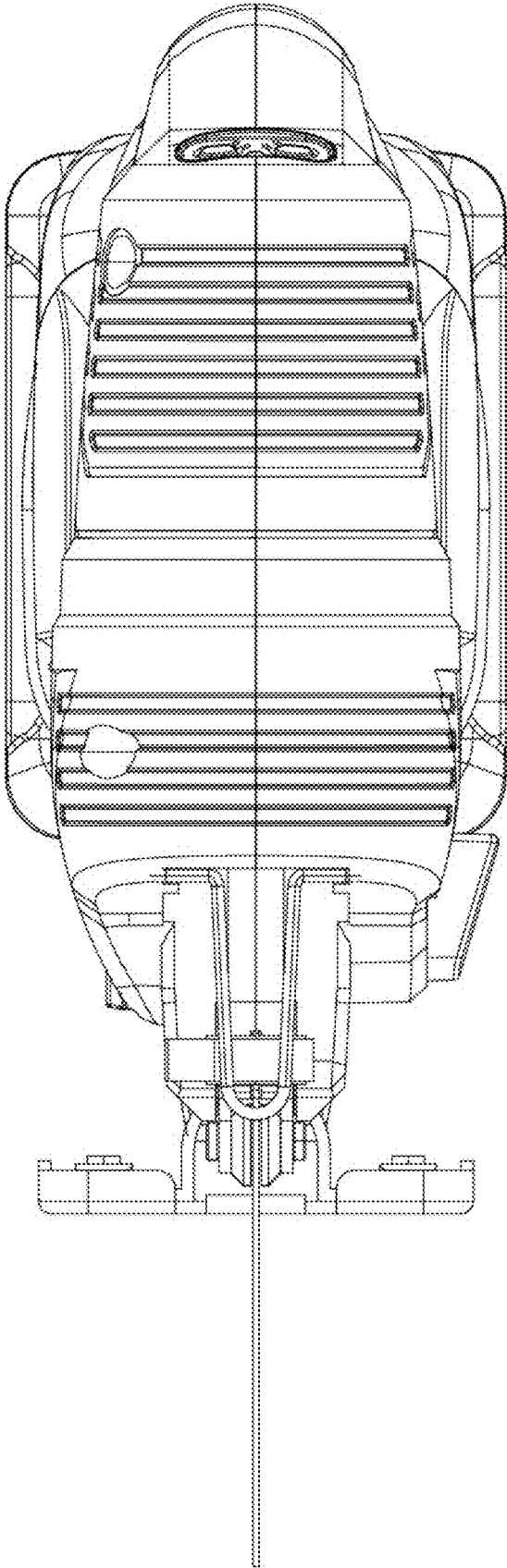
1.1



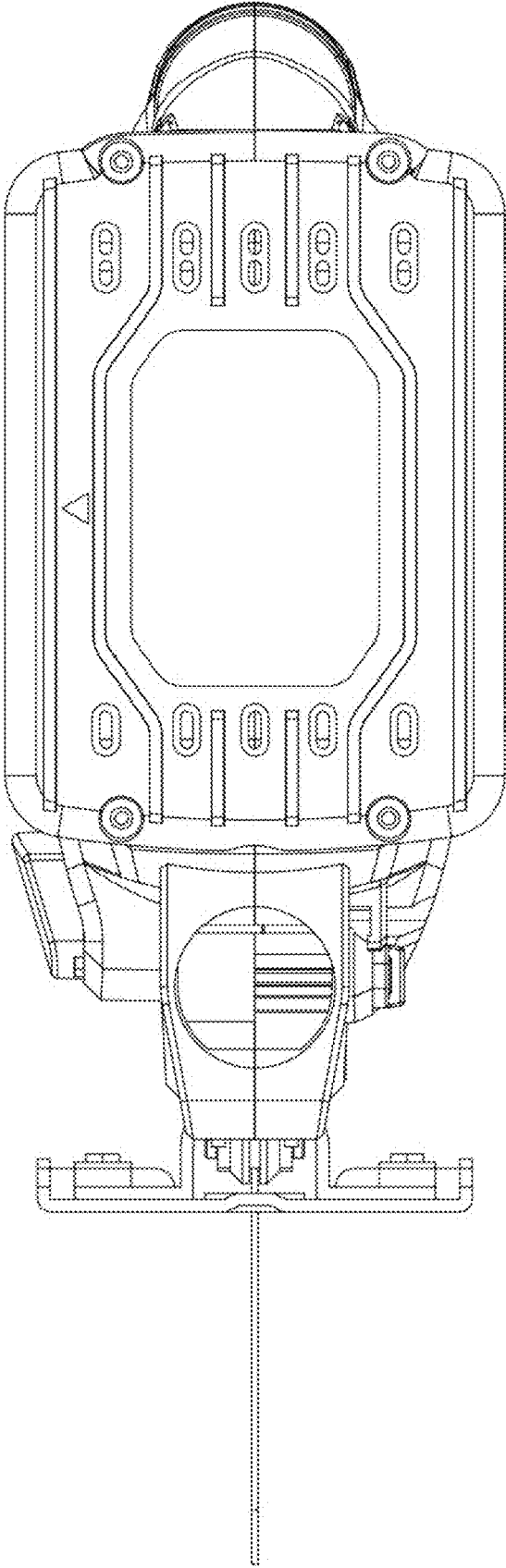
1.2



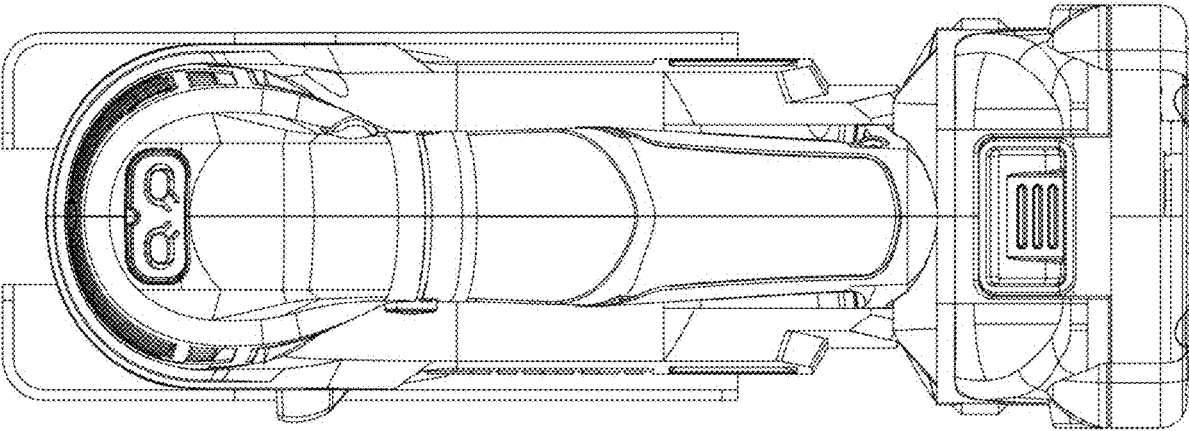
1.3



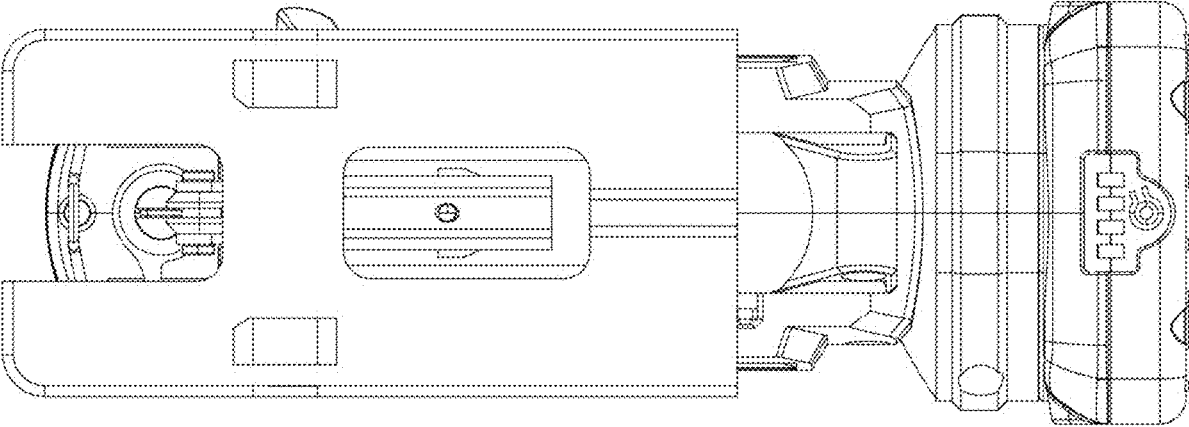
1.4



1.5



1.6



1.7

