



US00D530610S

(12) **United States Design Patent**  
**Samz et al.**

(10) **Patent No.:** **US D530,610 S**

(45) **Date of Patent:** **\*\* \*Oct. 24, 2006**

- (54) **INTEGRALLY-FORMED CLOSURE FOR A CONTAINER**
- (75) Inventors: **John B. Samz**, Union Grove, WI (US);  
**William C. Vogel**, Milwaukee, WI (US)
- (73) Assignee: **Gateway Plastic, Inc.**, Mequon, WI (US)

2,094,600	A	10/1937	Hothersall
2,108,063	A	2/1938	Hothersall
D110,872	S	8/1938	Lewis
2,177,589	A	10/1939	Jacker
2,276,635	A	3/1942	Weber
2,388,738	A	11/1945	Gudheim
2,562,647	A	7/1951	Shaver

(Continued)

- (\* ) Notice: This patent is subject to a terminal disclaimer.
- (\*\* ) Term: **14 Years**

**FOREIGN PATENT DOCUMENTS**

EP	0 631 942 A1	1/1995
FR	1153553	5/1958
GB	2120219	11/1983

- (21) Appl. No.: **29/170,146**
- (22) Filed: **Nov. 1, 2002**

**Related U.S. Application Data**

- (62) Division of application No. 10/234,441, filed on Sep. 3, 2002, now abandoned, which is a division of application No. 09/663,874, filed on Sep. 15, 2000, now Pat. No. 6,460,718, which is a continuation-in-part of application No. 09/374,976, filed on Aug. 16, 1999, now Pat. No. 6,250,517, which is a continuation of application No. 08/959,399, filed on Oct. 28, 1997, now Pat. No. 5,971,231.

- (51) **LOC (8) Cl.** ..... **09-07**
- (52) **U.S. Cl.** ..... **D9/447; D9/435; D9/449**
- (58) **Field of Classification Search** ..... **D9/435, D9/438, 447, 449, 454; D7/300.1, 591, 596, D7/629, 630; 215/235, 237; 220/259, 339; 222/546, 480, 565, 566, 517**

See application file for complete search history.

- (56) **References Cited**

**U.S. PATENT DOCUMENTS**

181,615	A	8/1876	Albertson
199,896	A	2/1878	Burger
785,116	A	3/1905	Perry
847,726	A	3/1907	Brannon
893,469	A	7/1908	Essmuller
947,025	A	1/1910	Pearl et al.
1,330,365	A	2/1920	Alexander
1,773,553	A	8/1930	Taylor et al.

OTHER PUBLICATIONS

U.S. Appl. No. 29/168,190, "Closure for a Container," Terrence C. Parve, Sep. 27, 2002, 4 pages.

U.S. Appl. No. 10/435,653, "Integrally-Formed Cover for a Container," John B. Samz et al., May 9, 2003, 117 pages (including Preliminary Amendment and Substitute Specification).

(Continued)

*Primary Examiner*—Louis S. Zarfaz  
*Assistant Examiner*—Gregory Andoll  
 (74) *Attorney, Agent, or Firm*—Foley & Lardner LLP

(57) **CLAIM**

We claim the ornamental design for an integrally-formed closure for a container, as shown and described.

**DESCRIPTION**

FIG. 1 is a perspective view of the integrally-formed closure for a container in an open position.

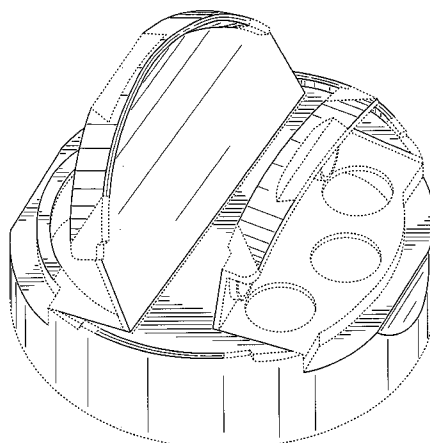
FIG. 2 is a top view of the integrally-formed closure for a container in an open position.

FIG. 3 is a side elevation view of the integrally-formed closure for a container in an open position; and,

FIG. 4 is a side elevation view of the integrally-formed closure for a container of FIG. 3 in a closed position.

The broken line disclosure is for illustrative purposes only and forms no part of the claimed design.

**1 Claim, 3 Drawing Sheets**



# US D530,610 S

Page 2

## U.S. PATENT DOCUMENTS

2,576,416 A	11/1951	Randlett	4,082,201 A	4/1978	Bittel
2,625,306 A	1/1953	Murphy	D249,023 S	8/1978	Ames
2,690,861 A	10/1954	Tupper	4,106,672 A	8/1978	Tecco et al.
2,780,395 A	2/1957	Schlabach et al.	4,120,432 A	10/1978	Fuchs
2,817,451 A	12/1957	Giles et al.	4,144,985 A	3/1979	Kinslow
2,826,343 A	3/1958	Albiani	4,155,481 A	5/1979	Takahashi et al.
2,849,164 A	8/1958	Weisgerber	4,163,496 A	8/1979	Dogliotti
2,851,203 A	9/1958	Nowak	4,165,015 A	8/1979	Hasegawa
2,894,654 A	7/1959	Lohrer	4,170,315 A	10/1979	Dubach et al.
2,954,148 A	9/1960	Corrinet et al.	D255,326 S	6/1980	Pettengill
2,961,132 A	11/1960	Ankney	4,231,486 A	11/1980	Bock
2,961,133 A	11/1960	Ankney	4,234,099 A	11/1980	Tarro
2,971,681 A	2/1961	Galbierz	4,253,587 A	3/1981	Otterson
3,018,931 A	1/1962	Westgate	4,258,876 A	3/1981	Ljungcrantz
3,031,111 A	4/1962	Stull	4,267,937 A	5/1981	Piltz et al.
3,036,746 A	5/1962	Hagen	4,274,563 A	6/1981	Otterson
3,058,630 A	10/1962	Abt	4,280,636 A	7/1981	Lewis
3,059,816 A	10/1962	Goldstein	4,284,200 A	8/1981	Bush et al.
3,100,589 A	8/1963	Love, Jr.	4,291,818 A	9/1981	Nozawa et al.
3,113,693 A	12/1963	Stull	4,299,339 A	11/1981	Giroux et al.
3,117,701 A	1/1964	Stull	4,346,823 A	8/1982	Eppenbach
3,140,019 A	7/1964	Barr	D266,390 S	10/1982	Haner
3,143,256 A	8/1964	Lazure et al.	4,359,171 A	11/1982	Lewis
3,155,285 A	11/1964	Van Baam	4,361,250 A	11/1982	Foster
D200,024 S	1/1965	Lombardo	4,369,901 A	1/1983	Hidding
D200,270 S	2/1965	Waterman	4,414,705 A	11/1983	Ostrowsky
3,180,537 A	4/1965	Collins	D272,807 S	2/1984	Ruhl
3,181,746 A	5/1965	Tupper	4,442,950 A	4/1984	Wilson
3,203,571 A	8/1965	Plunkett	4,457,458 A	7/1984	Heinol
3,217,921 A	11/1965	Frehse	4,463,869 A	8/1984	Lewis
3,217,949 A	11/1965	Davis	4,467,938 A	8/1984	Allen
D204,509 S	4/1966	Waterman	D276,981 S	1/1985	Cleevely
3,262,606 A	7/1966	Waterman	4,494,679 A	1/1985	Cleevely
3,281,982 A	11/1966	Salisbury	4,500,016 A	2/1985	Funfstuck
3,322,308 A	5/1967	Foster	4,503,991 A	3/1985	Joyce
3,323,671 A	6/1967	Minarik, Jr. et al.	D278,602 S	4/1985	Rosenstein
3,351,242 A	11/1967	Lodding et al.	4,533,058 A	8/1985	Uhlig
3,370,757 A	2/1968	Foster	4,538,731 A	9/1985	Cillario
3,372,832 A	3/1968	Yeater et al.	4,541,541 A	9/1985	Hickman et al.
3,397,823 A	8/1968	Kirkpatrick	4,545,495 A	10/1985	Kinsley
3,412,890 A	11/1968	Rich	4,545,508 A	10/1985	Cribb, Jr. et al.
3,428,208 A	2/1969	Kosar	4,580,687 A	4/1986	Lewis
3,463,364 A	8/1969	Rehag	4,610,371 A	9/1986	Karkiewicz
3,469,732 A	9/1969	Foster	4,611,725 A	9/1986	Kacalief
3,486,665 A	12/1969	La Croce	4,621,744 A	11/1986	Foster
3,499,588 A	3/1970	Bartilson et al.	4,629,081 A	12/1986	McLaren
D218,289 S	8/1970	Posada	4,648,528 A	3/1987	LaBarge et al.
3,542,235 A	11/1970	Hidding	4,651,885 A	3/1987	Gach
3,563,426 A	2/1971	Bartilson	4,658,980 A	4/1987	Lindstrom
3,651,992 A	3/1972	Hazard	D291,411 S	8/1987	Crawford
3,659,756 A	5/1972	Lancaster	4,693,399 A	9/1987	Hickman et al.
3,675,812 A	7/1972	Foster	D292,491 S	10/1987	Ross et al.
3,741,377 A	6/1973	Krellen	4,714,181 A	12/1987	Kozlowski et al.
3,744,662 A	7/1973	Zundel	4,723,693 A	2/1988	DeCoster
3,782,583 A	1/1974	Abbey	4,726,091 A	2/1988	Joyce
3,788,510 A	1/1974	Collins	4,735,334 A	4/1988	Abbott
3,871,550 A	3/1975	Chiappe	4,739,906 A	4/1988	LoTurco
3,874,580 A	4/1975	Weatherhead, III	4,752,014 A	6/1988	House et al.
3,877,604 A	4/1975	Brown	4,778,071 A	10/1988	Fillmore
3,888,373 A	6/1975	Gach et al.	4,792,054 A	12/1988	Weidman
3,952,912 A	4/1976	Perry	4,793,501 A	12/1988	Beck
3,966,080 A	6/1976	Bittel	4,793,502 A	12/1988	Beck
4,022,352 A	5/1977	Pehr	4,823,995 A	4/1989	Lewis
4,029,033 A	6/1977	Kerwin et al.	4,838,441 A	6/1989	Chernack
4,029,202 A	6/1977	Lasich et al.	4,848,612 A	7/1989	Beck
4,030,630 A	6/1977	Yealy	4,854,473 A	8/1989	Dubach
D245,750 S	9/1977	Maclean	4,878,589 A	11/1989	Webster et al.
4,059,201 A	11/1977	Foster	4,881,668 A	11/1989	Kitterman et al.
4,069,942 A	1/1978	Marshall et al.	4,881,688 A	11/1989	Hankvist et al.
D247,475 S	3/1978	Newman	D305,206 S	12/1989	Hickman et al.
			D305,734 S	1/1990	Allen

# US D530,610 S

4,898,292 A	2/1990	VerWeyst et al.	D385,791 S	11/1997	Forsyth et al.
D306,563 S	3/1990	Johnson	5,743,444 A	4/1998	Beck et al.
D306,701 S	3/1990	Beck	5,762,216 A	6/1998	Takeuchi
4,927,065 A	5/1990	Beck	5,785,193 A	7/1998	Kobayashi et al.
4,934,590 A	6/1990	Robichaud et al.	5,799,838 A	9/1998	Miller
4,936,494 A	6/1990	Weidman	5,829,609 A	11/1998	Beck
4,938,390 A	7/1990	Markva	5,829,611 A	11/1998	Beck
4,940,167 A	7/1990	Fillmore et al.	5,842,592 A	12/1998	Beck
4,955,504 A	9/1990	Lesscher	5,865,353 A	2/1999	Baudin
4,955,513 A	9/1990	Bennett	5,875,907 A	3/1999	Lay
4,967,941 A	11/1990	Beck	D407,976 S	4/1999	Ekkert
4,971,213 A	11/1990	Ishinabe et al.	5,913,435 A	6/1999	Fuchs
4,984,716 A	1/1991	Beck	D413,064 S	8/1999	Bansal
4,993,606 A	2/1991	Bolen, Jr. et al.	D414,698 S	10/1999	Mogard et al.
5,007,555 A	4/1991	Beck	5,971,231 A	10/1999	Samz et al.
5,016,787 A	5/1991	Beck	5,975,368 A	11/1999	Wood
D318,778 S	8/1991	Fiore et al.	5,996,859 A	12/1999	Beck
D319,588 S	9/1991	Beck	D419,069 S	1/2000	Beck et al.
5,048,730 A	9/1991	Forsyth et al.	6,024,256 A	2/2000	Beck et al.
D320,739 S	10/1991	Camus	6,102,257 A	8/2000	Goyet
D320,746 S	10/1991	Bolen, Jr. et al.	D435,445 S	12/2000	Arai et al.
D321,137 S	10/1991	Hofmann et al.	6,158,632 A	12/2000	Ekkert
5,052,572 A	10/1991	Pherigo	6,164,503 A	12/2000	Forsyth et al.
D321,476 S	11/1991	Alcover	D436,040 S	1/2001	Warner et al.
5,067,624 A	11/1991	Thanisch	6,170,664 B1	1/2001	Dar
D323,461 S	1/1992	Beck	6,202,872 B1	3/2001	Smeyak et al.
D323,462 S	1/1992	Beck	D440,156 S	4/2001	Lonczak et al.
5,083,671 A	1/1992	Hayes	6,250,507 B1	6/2001	Ekkert
D324,175 S	2/1992	Beck	6,250,517 B1	6/2001	Samz et al.
5,085,331 A	2/1992	Groya et al.	6,283,317 B1	9/2001	Benoit gonin et al.
5,129,531 A	7/1992	Beck et al.	6,289,906 B1	9/2001	Vanden Dries et al.
5,129,533 A	7/1992	Loffler	6,296,130 B1	10/2001	Forsyth et al.
5,143,234 A	9/1992	Lohrman et al.	6,299,033 B1	10/2001	VerWeyst et al.
D331,877 S	12/1992	Robichaud et al.	6,308,870 B1	10/2001	Samz et al.
D331,878 S	12/1992	Forsyth	6,321,923 B1	11/2001	Wood
5,167,338 A	12/1992	Kick	6,325,231 B1	12/2001	Ketting et al.
5,197,634 A	3/1993	Beck	6,332,551 B1	12/2001	Copeland
5,211,301 A	5/1993	Groya et al.	D453,892 S	2/2002	Lindsay et al. .... D7/596
5,215,204 A	6/1993	Beck et al.	RE37,634 E	4/2002	Hickman et al.
5,219,100 A	6/1993	Beck et al.	6,382,476 B1	5/2002	Randall et al.
D339,065 S	9/1993	Forsyth et al.	6,405,885 B1	6/2002	Elliott
D340,187 S	10/1993	Forsyth	6,439,410 B1	8/2002	Dubach
D340,188 S	10/1993	Forsyth	6,460,712 B1	10/2002	Smith et al.
5,282,540 A	2/1994	Beck	6,460,718 B1	10/2002	Vogel
5,297,688 A	3/1994	Beck et al.	6,460,726 B1	10/2002	Hierzer et al.
5,305,931 A	4/1994	Martin et al.	6,464,113 B1	10/2002	Vogel
D346,958 S	5/1994	Olson	6,474,491 B1	11/2002	Benoit-Gonin et al.
5,314,093 A	5/1994	Gross et al.	6,477,743 B1	11/2002	Gross et al.
D347,974 S	6/1994	McBride	6,481,589 B1	11/2002	Blomdahl et al.
5,328,063 A	7/1994	Beck et al.	6,488,187 B1	12/2002	Sheffler et al.
5,330,082 A	7/1994	Forsyth	6,494,346 B1	12/2002	Gross et al.
5,339,993 A	8/1994	Groya et al.	D468,639 S	1/2003	Wennerstrom et al.
5,356,017 A	10/1994	Rohr et al.	6,508,373 B1	1/2003	Robinson
D355,121 S	2/1995	Kohl	6,510,971 B1	1/2003	Martin
5,423,442 A	6/1995	Nozawa et al.	6,575,323 B1	6/2003	Martin et al.
5,467,879 A	11/1995	Moore	D476,892 S	7/2003	Martin et al.
5,489,035 A	2/1996	Fuchs	2003/0090036 A1	5/2003	Vogel
5,494,200 A	2/1996	Sheffler et al.	2004/0173645 A1	9/2004	Vogel
5,499,736 A	3/1996	Kohl	2004/0226950 A1	11/2004	Samz
5,507,419 A	4/1996	Martin et al.	2005/0023304 A1	2/2005	Vogel et al.
5,509,582 A	4/1996	Robbins, III			
5,511,679 A	4/1996	Beck			
5,542,579 A	8/1996	Robbins, III			
5,566,850 A	10/1996	Forsyth et al.			
5,579,957 A	12/1996	Gentile et al.			
5,588,546 A	12/1996	Farside			
5,601,213 A	2/1997	Daniello			
5,632,417 A	5/1997	Robbins, III et al.			
5,642,824 A	7/1997	Hess, III et al.			
5,667,089 A	9/1997	Moore			
5,680,968 A	10/1997	Moore			

## OTHER PUBLICATIONS

U.S. Appl. No. 10/255,445, "A Container With a Threaded Cap Having a Spring-Loaded Self-Closing Cover," William C. Vogel, Sep. 26, 2002, 24 pages.

U.S. Appl. No. 10/740,176, "Improved Closure for a Container," William C. Vogel et al., Dec. 18, 2003, 56 pages.

U.S. Appl. No. 10/751,709, "Closure for a Container," Terrence M. Parve et al., Jan. 5, 2004, 32 pages.

U.S. Appl. No. 10/764,819, "Closure for a Container," William C. Vogel, Jan. 26, 2004, 43 pages.

Cap of a type understood to be commercially available from Weatherchem Corporation (six photographs; one sheet).

Cap of a type understood to be commercially available from Weatherchem Corporation (seven photographs; one sheet).

Cap of a type understood to be commercially available from Weatherchem Corporation (seven photographs; one sheet).

Cap of a type understood to be commercially available from Weatherchem Corporation (seven photographs; one sheet).

Cap of a type understood to be commercially available from Weatherchem Corporation (seven photographs; one sheet).

Cap of a type understood to be commercially available from Weatherchem Corporation (six photographs; one sheet).

Cap of a type understood to be commercially available from Weatherchem Corporation (six photographs; one sheet).

Cap of a type understood to be commercially available from Kraft Foods North America, Inc. (six photographs; one sheet).

Cap of a type understood to be commercially available and having two flaps with two dispensing openings (six photographs, one sheet).

Cap of a type understood to be commercially available from Weatherchem Corporation (seven photographs; one sheet).

Cap of a type understood to be commercially available from Kraft Foods North America, Inc. (fourteen photographs, two sheets).

Cap of a type understood to be commercially available from Kraft Foods North America, Inc. (ten photographs, one sheet).

Cap of a type understood to be commercially available from Nestle Purina Petcare Company (twelve photographs, two sheets).

Cap of a type understood to be commercially available from Resibel N.V. in or about 1996 and made available/obtained during discovery in *Gateway Plastics, Inc. v. Weatherchem Corp.*, Case No. 02-C-0870 (E.D. Wis.) (twelve photographs, two sheets).

Amended complaint, *Gateway Plastics, Inc. v. Weatherchem Corporation*, Case No. 02-C-0870 (E.D. Wis.), Dated Nov. 18, 2002, with legible copy of Exhibit D.

Answer and Counterclaim, *Gateway Plastics, Inc. v. Weatherchem Corporation*, Case No. 02-C-0870 (E.D. Wis.), Dated Dec. 5, 2002.

Amended Answer and Counterclaim, *Gateway Plastics, Inc. v. Weatherchem Corp.*, Case No. 02-C-0870 (E.D. Wis.); filed Sep. 2, 2003.

Brief in Support of Motion by Plaintiff Gateway Plastics, Inc. for a Preliminary Injunction, *Gateway Plastics, Inc. v. Weatherchem Corp.*, Case No. 02-C-0870 (E.D. Wis.); filed Dec. 19, 2003.

Weatherchem's Brief in Opposition to Gateway's Motion for Preliminary Injunction, *Gateway Plastics, Inc. v. Weatherchem Corp.*, Case No. 02-C-0870 (E.D. Wis.); filed Feb. 4, 2004.

Decision and Order, *Gateway Plastics, Inc. v. Weatherchem Corp.*, Case No. 02-C-0870 (E.D. Wis.); filed Dec. 17, 2003.

Weatherchem Exhibit Nos. WC 601-WC 648 and WC 651-WC 653B in Opposition to Preliminary Injunction, *Gateway Plastics, Inc. v. Weatherchem Corp.*, Case No. 02-C-0870 (E.D. Wis.); filed Feb. 4, 2004.

File Wrapper for U.S. Pat. No. 6,460,718, filed Sep. 15, 2000; issued Oct. 8, 2002.

File Wrapper for U.S. Pat. No. 6,308,870, filed Apr. 23, 2001; issued Oct. 2001.

File Wrapper for U.S. Pat. No. 6,250,517, filed Aug. 16, 1999, issued Jun. 26, 2001.

File Wrapper for U.S. Pat. No. 5,971,231, filed Oct. 28, 1997; issued Oct. 26, 1999.

Motion by Plaintiff Gateway Plastics, Inc. for Leave to Amend the Amended Complaint to Dismiss the Infringement Count Asserted Against Defendant Weatherchem Corporation, *Gateway Plastics, Inc. v. Weatherchem Corp.*, Case No. 02-C-0870 (E.D. Wis.); filed Apr. 13, 2005 (submitted with Exhibits).

Defendant Weatherchem Corporation's Memorandum in Opposition to Plaintiff's Motion to Amend its Amended Complaint to Dismiss its Infringement Count with Prejudice, *Gateway Plastics, Inc. v. Weatherchem Corp.*, Case No. 02-C-0870 (E.D. Wis.); filed May 5, 2005 (submitted with Exhibits).

Reply Brief in Support of Motion by Plaintiff Gateway Plastics, Inc. for Leave to Amend the Amended Complaint to Dismiss the Infringement Count Asserted Against Defendant Weatherchem Corporation, *Gateway Plastics, Inc. v. Weatherchem Corp.*, Case No. 02-C-0870 (E.D. Wis.); filed May 19, 2005 (submitted with Exhibits).

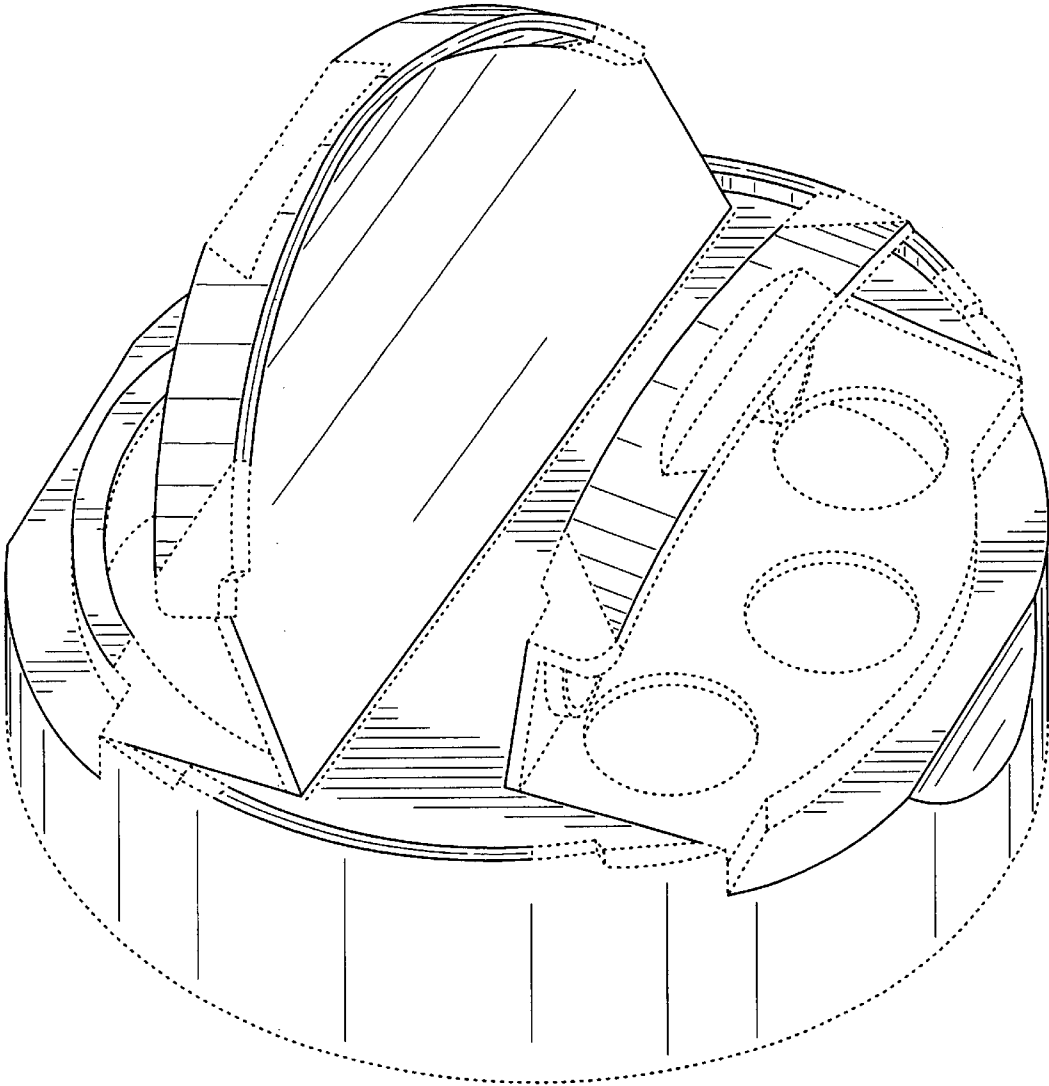


FIG. 1

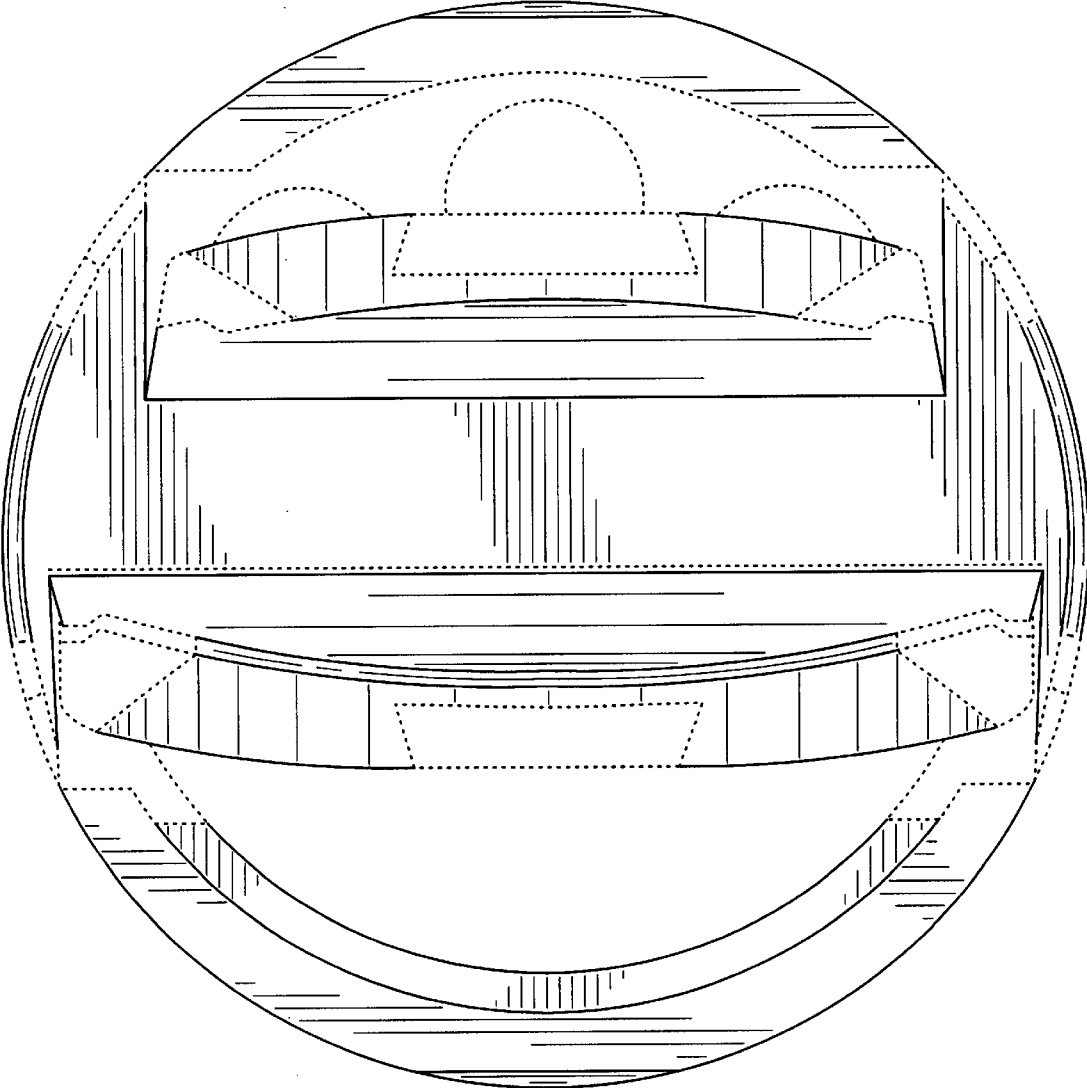


FIG. 2

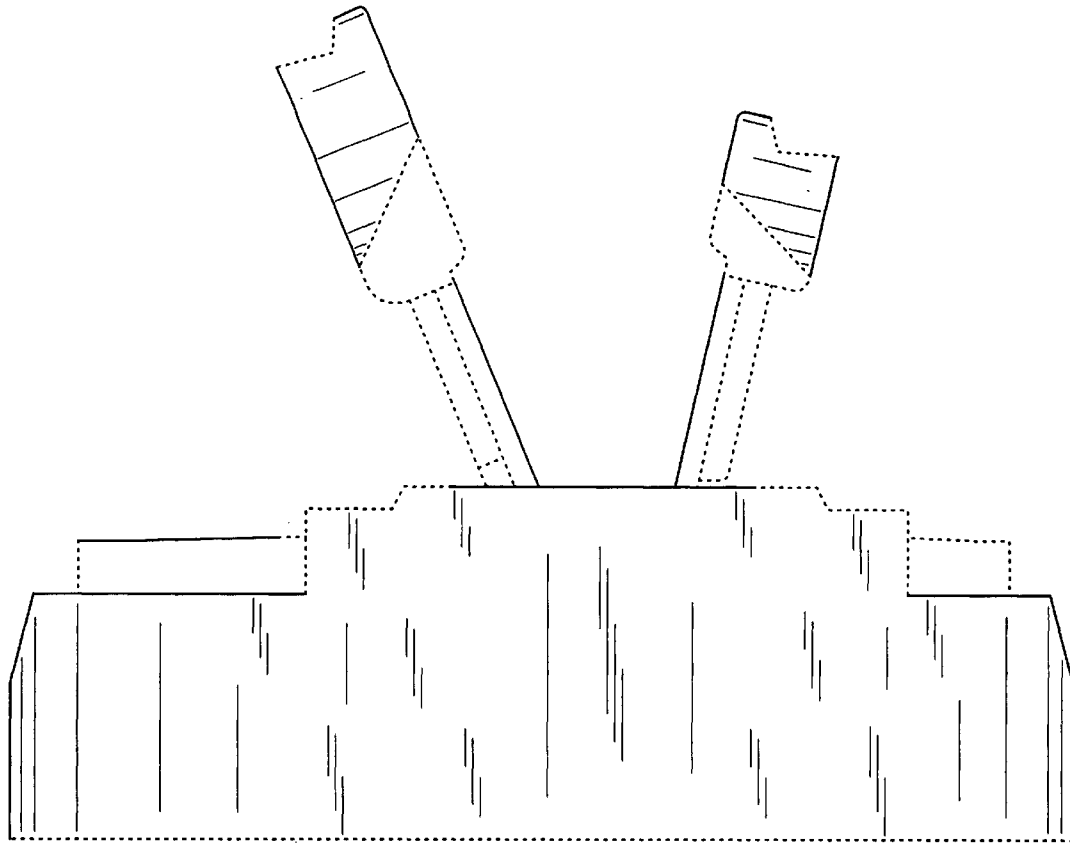


FIG. 3

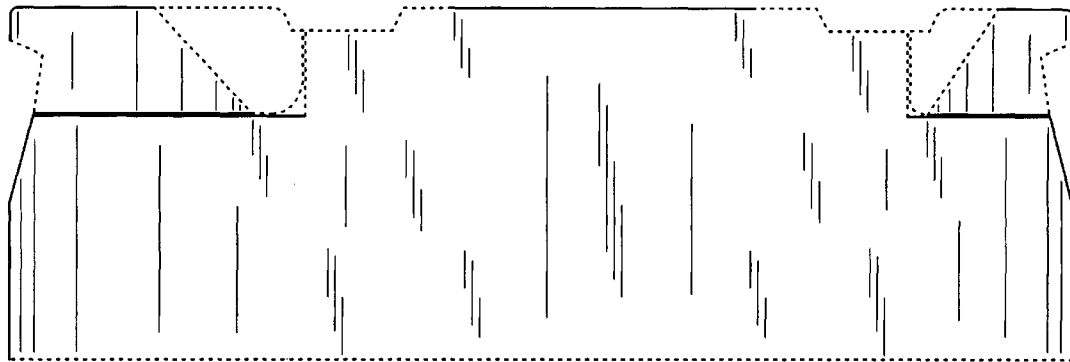


FIG. 4