



US00D720106S

(12) **United States Design Patent**
Zemel et al.

(10) **Patent No.:** **US D720,106 S**

(45) **Date of Patent:** **** Dec. 23, 2014**

(54) **DUAL HANDLE STONE GRILL CLEANER**

(71) Applicant: **Blue Rhino Global Sourcing, Inc.**,
Liberty, MO (US)

(72) Inventors: **Marc Zemel**, Old Bethpage, NY (US);
Adam Schillen, Dix Hills, NY (US)

(73) Assignee: **Blue Rhino Global Sourcing, Inc.**,
Liberty, MO (US)

(**) Term: **14 Years**

(21) Appl. No.: **29/472,602**

(22) Filed: **Nov. 14, 2013**

(51) **LOC (10) Cl.** **04-01**

(52) **U.S. Cl.**

USPC **D32/40; D4/138**

(58) **Field of Classification Search**

USPC **D32/40-46; D4/138; 15/210, 229.11,**
15/121, 236.01

See application file for complete search history.

(56) **References Cited**

U.S. PATENT DOCUMENTS

2,167,196 A	7/1939	Bothum
2,186,832 A	1/1940	Hertzberg
D138,896 S	9/1944	Edmonds
D189,235 S	11/1960	Racina
3,629,895 A	12/1971	Colgan
4,056,863 A	11/1977	Gunjian
4,091,579 A	5/1978	Giangiulio
4,146,943 A	4/1979	Wertheimer et al.
4,730,949 A	3/1988	Wilson
D344,634 S	3/1994	Berti
D345,653 S	4/1994	Joyner et al.
D355,529 S	2/1995	Tsai
D358,491 S	5/1995	Hoagland
D362,937 S	10/1995	Camp, Jr. et al.
5,471,700 A	12/1995	Pereira
D366,962 S	2/1996	Whitaker

D369,472 S	5/1996	Laubach, III et al.
D373,251 S	9/1996	Young
D381,483 S	7/1997	Hartman
D389,625 S *	1/1998	Feldman et al. D32/49
D392,104 S	3/1998	Berti
D400,328 S	10/1998	Zemel
D403,165 S	12/1998	Ferrante et al.
D429,889 S	8/2000	Fielding
6,216,306 B1 *	4/2001	Esterson et al. 15/111
D455,272 S	4/2002	Zemel
D456,614 S	5/2002	Zemel
6,438,784 B1	8/2002	Yu
6,443,646 B1	9/2002	MacDonald
D468,107 S	1/2003	Shen
D502,001 S	2/2005	Hay
7,047,590 B2 *	5/2006	Neal et al. 15/111
D532,609 S	11/2006	Zemel
D563,677 S	3/2008	Zemel

(Continued)

Primary Examiner — Robin V Webster

(74) *Attorney, Agent, or Firm* — Carter, DeLuca, Farrell & Schmidt, LLP

(57) **CLAIM**

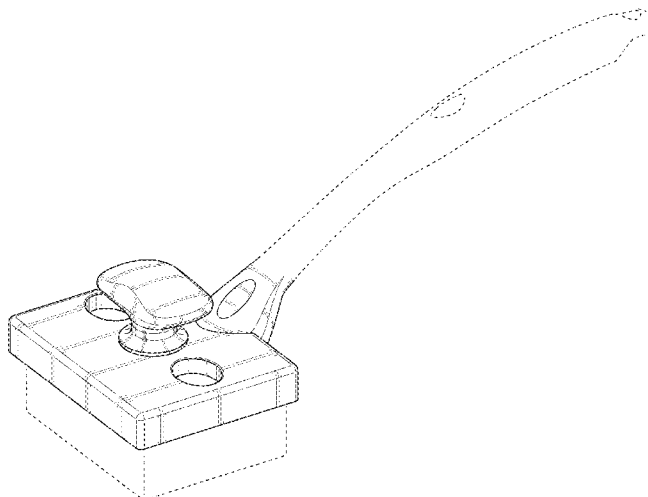
The ornamental design for a dual handle stone grill cleaner, as shown and described.

DESCRIPTION

FIG. 1 is a perspective view of a dual handle stone grill cleaner in accordance with the present design; FIG. 2 is a left side elevational view thereof, the right side elevational view being a mirror image of the left side elevational view; FIG. 3 is a front side elevational view thereof; FIG. 4 is a rear elevational view thereof; FIG. 5 is a top plan view thereof; and, FIG. 6 is a bottom view thereof.

The broken lines shown are included for the purpose of illustrating a portion of the dual handle stone grill cleaner that forms no part of the claimed design.

1 Claim, 5 Drawing Sheets



(56)

References Cited

U.S. PATENT DOCUMENTS

D589,705 S	4/2009	Zemel		D652,629 S	1/2012	Zemel	
D597,740 S	8/2009	Borovicka et al.		D658,894 S	5/2012	Zemel	
D601,347 S	10/2009	Wales		D661,906 S	6/2012	Zemel	
D606,269 S *	12/2009	Treeby et al.	D32/40	D663,125 S	7/2012	Zemel	
7,632,033 B2	12/2009	Wales		D663,531 S	7/2012	Zemel	
7,682,097 B2 *	3/2010	Knopow et al.	401/136	D665,178 S	8/2012	Zemel	
7,909,526 B2	3/2011	Wales		D685,548 S *	7/2013	Wong	D32/40
8,032,974 B2	10/2011	Carpenter		D685,549 S *	7/2013	Wong	D32/40
D652,594 S *	1/2012	Zemel	D32/40	D695,019 S	12/2013	Zemel	
				2003/0070246 A1	4/2003	Cavalheiro	
				2005/0011029 A1	1/2005	Yu	
				2009/0188061 A1	7/2009	Cybulski et al.	

* cited by examiner

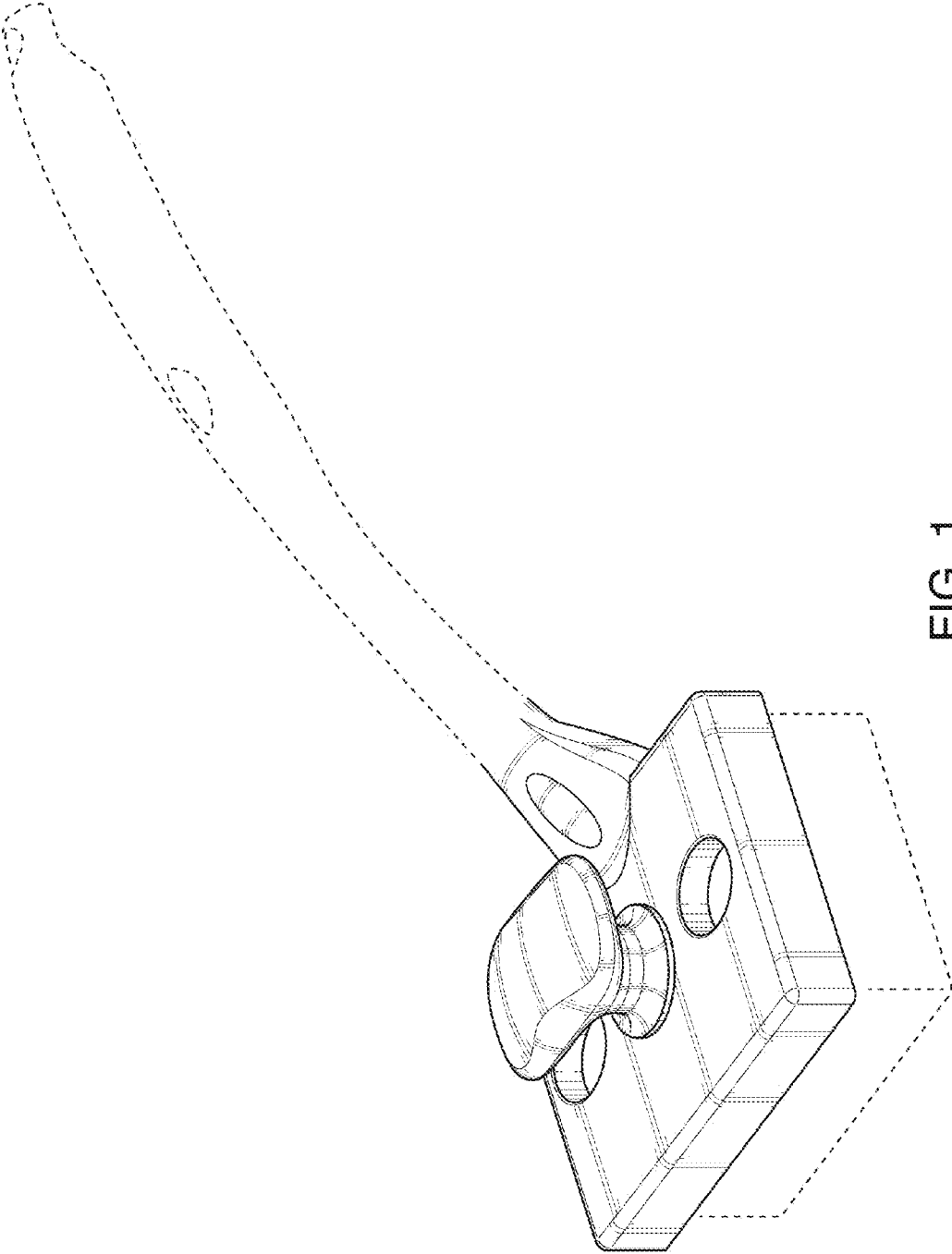


FIG. 1

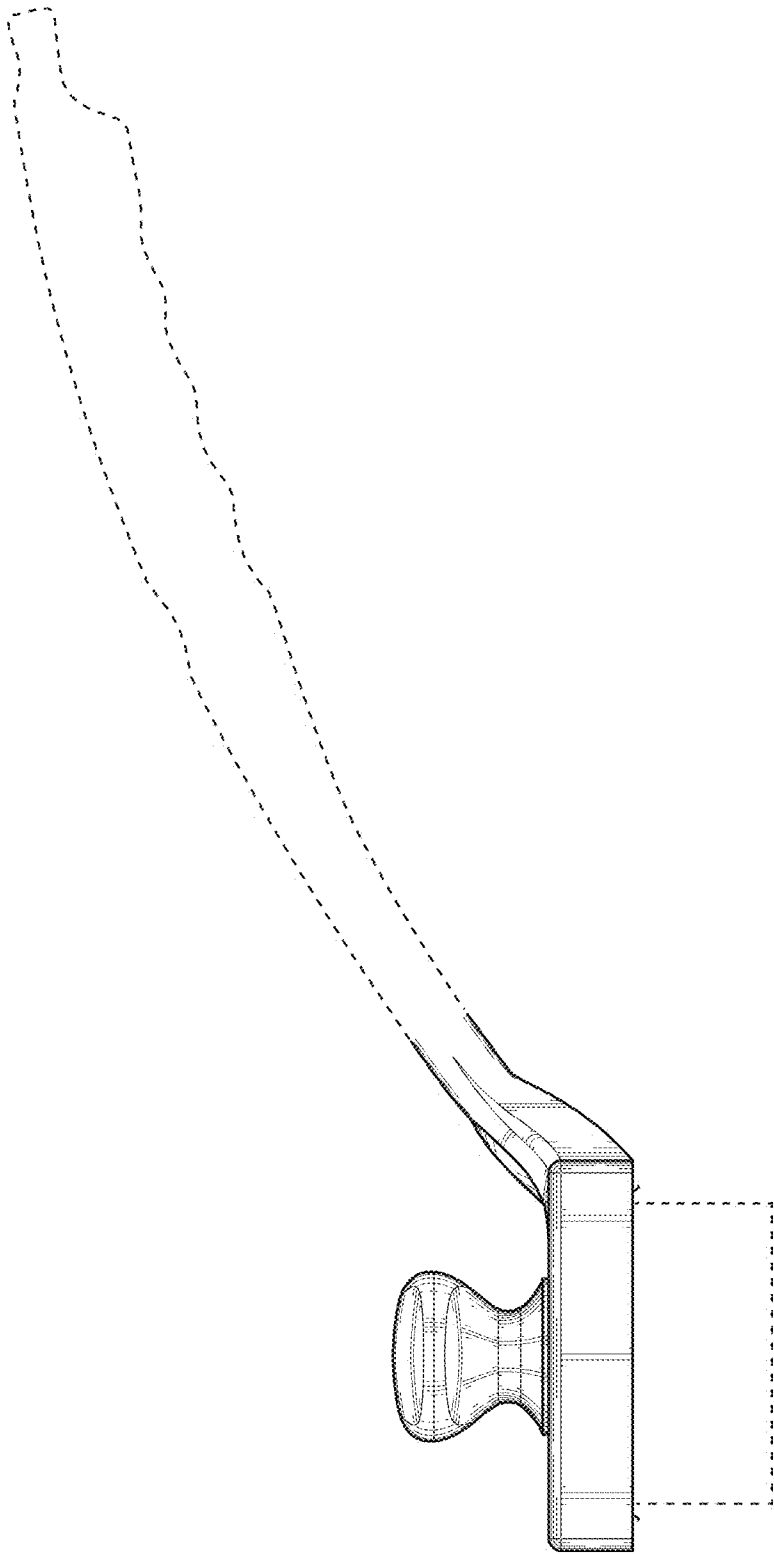


FIG. 2

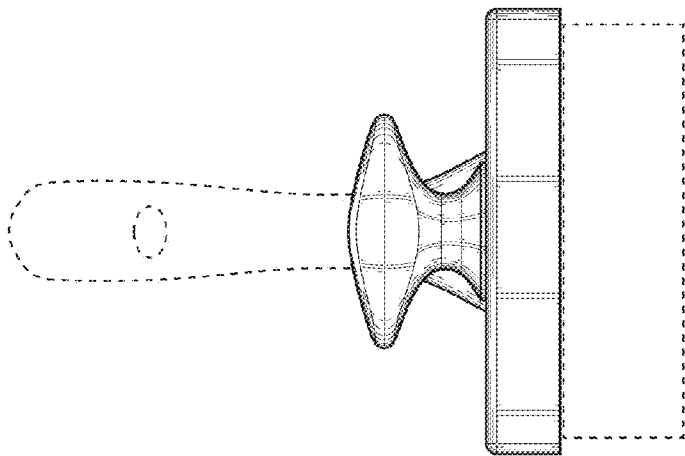


FIG. 3

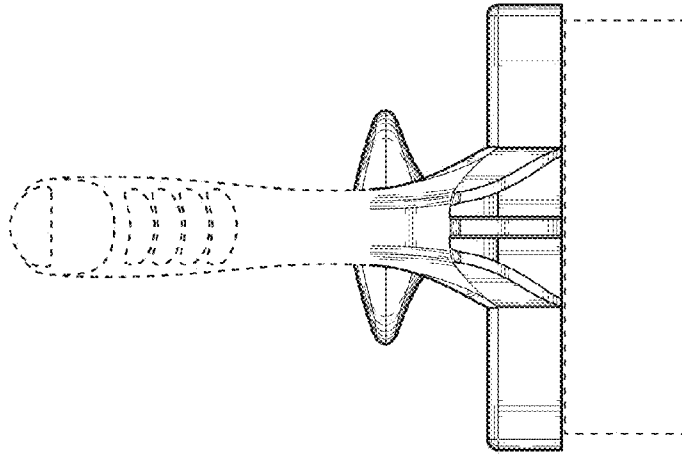


FIG. 4

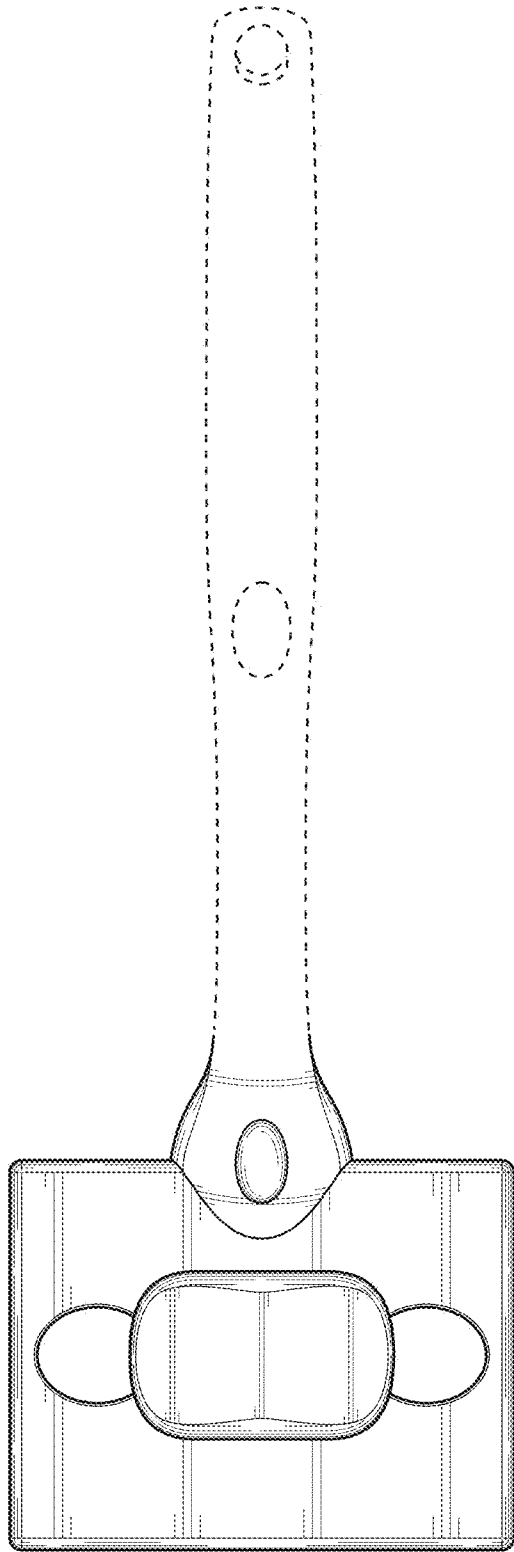


FIG. 5

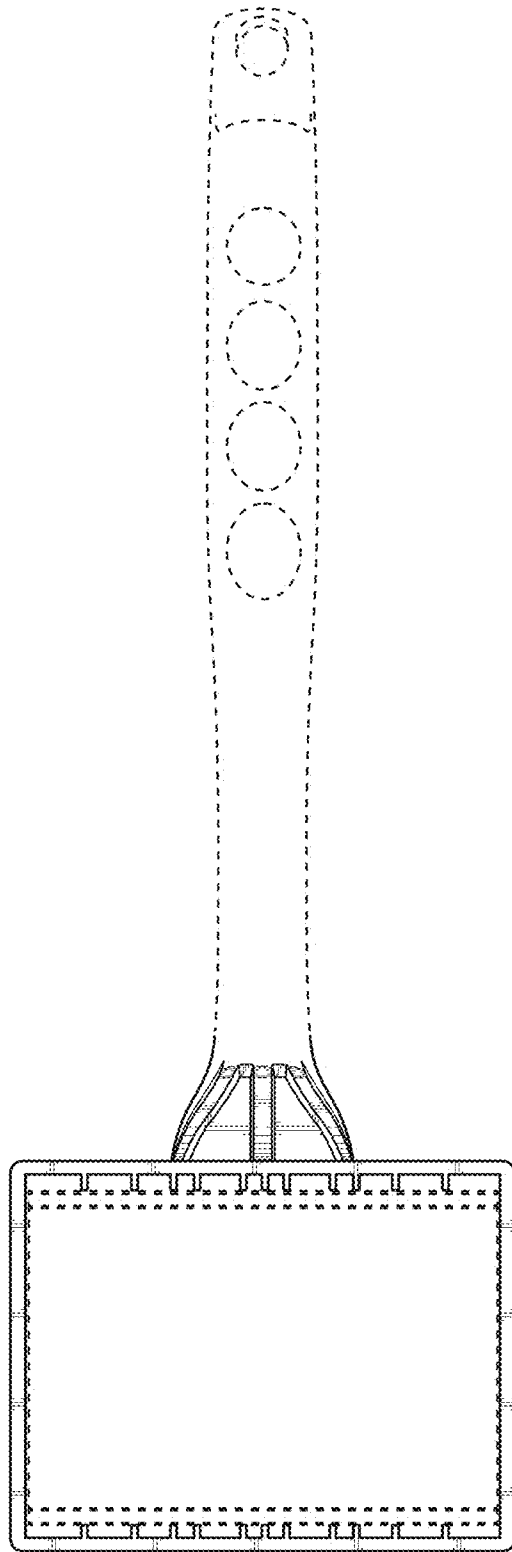


FIG. 6