

(12) **UK Patent Application** (19) **GB** (11) **2 400 475** (13) **A**

(43) Date of Printing by UK Office **13.10.2004**

(21) Application No: **0415997.6**
(22) Date of Filing: **18.12.2002**
(30) Priority Data:
(31) **20016215** (32) **19.12.2001** (33) **NO**
(86) International Application Data:
PCT/NO2002/000488 En 18.12.2002
(87) International Publication Data:
WO2003/058282 En 17.07.2003

(51) INT CL⁷:
G01V 1/40 , E21B 47/00
(52) UK CL (Edition W):
G4F F10X14
(56) Documents Cited by ISA:
GB 2262340 A **WO 2001/023705 A1**
WO 1999/063202 A1 **US 6131658 A**
US 6006832 A **US 5131477 A**
US 4016942 A
(58) Field of Search by ISA:
INT CL⁷ **E21B, G01V**
Other: **EPO-INTERNAL, WPI, PAJ, INSPEC**

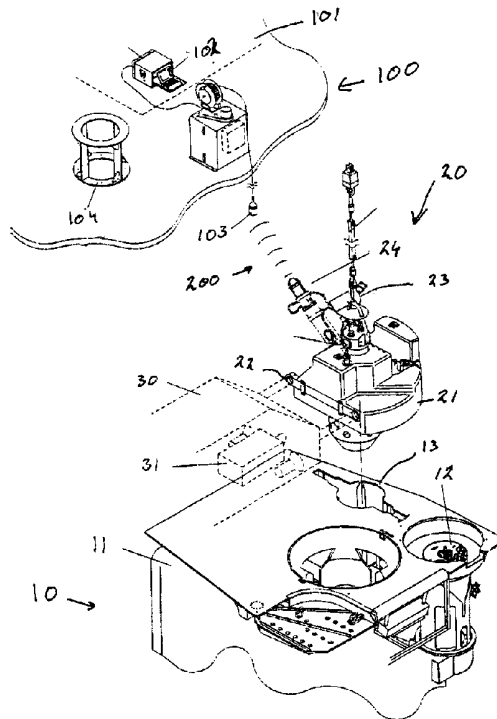
(71) Applicant(s):
FMC Kongsberg Subsea AS
(Incorporated in Norway)
PO Box 1012, N-3601 Kongsberg, Norway

(72) Inventor(s):
John A Johansen
Morten Sivertsen

(continued on next page)

(54) Abstract Title: **Monitoring of a reservoir**

(57) A system is described for monitoring a sub-sea formation, which is under development. Instruments located in a completed but unconnected well are employed for providing information by a provisional monitoring unit being lowered downhole and connected to the well. Changes in the reservoir as a result of operations in other adjacent wells are intercepted by the instruments in the well and transmitted via an acoustic link to the surface.



GB 2 400 475 A

GB 2400475 A continuation

(74) Agent and/or Address for Service:
Phillips & Leigh
5 Pemberton Row, LONDON, EC4A 3BA,
United Kingdom