



US00D720508S

(12) **United States Design Patent**
Parks

(10) **Patent No.:** **US D720,508 S**

(45) **Date of Patent:** **** Dec. 30, 2014**

(54) **WATER BOTTLE FOR SMALL ANIMAL**

(71) Applicant: **Linda Parks**, Napa, CA (US)

(72) Inventor: **Linda Parks**, Napa, CA (US)

(**) Term: **14 Years**

(21) Appl. No.: **29/495,070**

(22) Filed: **Jun. 26, 2014**

(51) **LOC (10) Cl.** **30-03**

(52) **U.S. Cl.**

USPC **D30/132**

(58) **Field of Classification Search**

USPC D30/123, 129, 132, 121; 119/69.5, 673,
119/57.8, 68, 74, 61.57, 78-81, 61.4, 57.9,
119/51.5, 61.5, 72; 47/66.6, 39, 67, 83;
239/27, 280, 200, 281, 280.5, 273, 16,
239/17, 20, 22; 4/644, 627, 638; D7/558;
D11/144, 145, 153; D99/5, 24; 27/1;
D23/201, 292; 248/127, 132, 137, 138,
248/158, 910; 215/10; D6/353, 352, 484,
D6/360, 480, 488; 219/521; 329/442, 459

See application file for complete search history.

(56) **References Cited**

U.S. PATENT DOCUMENTS

| | | | | | | |
|-----------|---|---|---------|-----------------|-------|----------|
| 3,163,869 | A | * | 1/1965 | Johnson et al. | | 4/144.1 |
| 3,529,575 | A | * | 9/1970 | Schalk | | 119/72.5 |
| D249,076 | S | * | 8/1978 | Meeker et al. | | D30/132 |
| D264,127 | S | * | 4/1982 | Peterson | | D24/224 |
| 4,807,567 | A | * | 2/1989 | Atchley | | 119/477 |
| 4,989,545 | A | * | 2/1991 | Sheaffer et al. | | 119/419 |
| D328,431 | S | * | 8/1992 | Skidmore et al. | | D9/523 |
| D337,863 | S | * | 7/1993 | Bowell | | D30/132 |
| D341,204 | S | * | 11/1993 | Hansen et al. | | D24/224 |

| | | | | | | |
|-----------|---|---|---------|-----------------|-------|---------|
| D347,479 | S | * | 5/1994 | Hansen et al. | | D24/224 |
| D359,361 | S | * | 6/1995 | Swift | | D24/224 |
| D376,876 | S | * | 12/1996 | McInnes | | D30/121 |
| D379,521 | S | * | 5/1997 | Stevens et al. | | D24/224 |
| D403,130 | S | * | 12/1998 | Bunney et al. | | D30/121 |
| 5,924,384 | A | * | 7/1999 | Deitrich et al. | | 119/419 |
| D439,519 | S | * | 3/2001 | Ruble et al. | | D9/523 |
| D454,788 | S | * | 3/2002 | Pezzoli et al. | | D9/526 |
| D476,452 | S | * | 6/2003 | Dietrich et al. | | D30/132 |
| D486,396 | S | * | 2/2004 | Stinedurf | | D9/523 |
| D519,031 | S | * | 4/2006 | Snyder | | D9/522 |
| D586,656 | S | * | 2/2009 | Mount | | D9/523 |

* cited by examiner

Primary Examiner — Susan Moon Lee

(74) *Attorney, Agent, or Firm* — Howard Cohen

(57) **CLAIM**

I claim the ornamental design for a water bottle for small animal, as shown and described.

DESCRIPTION

FIG. 1 is a perspective view of the above front of the water bottle for small animal.

FIG. 2 is a top view of the water bottle for small animal.

FIG. 3 is a bottom view of the water bottle for small animal.

FIG. 4 is a front view of the water bottle for small animal.

FIG. 5 is a right side view of the water bottle for small animal.

FIG. 6 is a left side view of the water bottle for small animal.

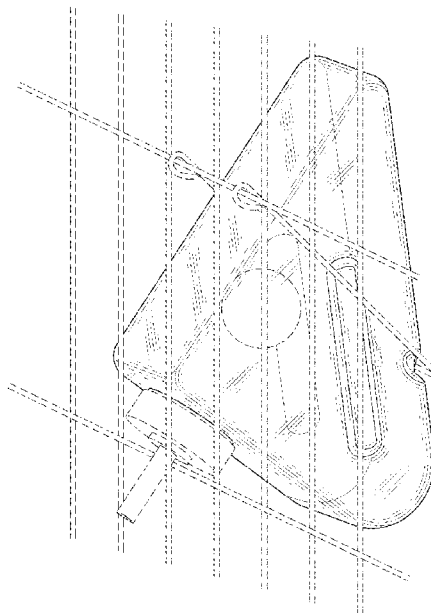
FIG. 7 is a rear view of the water bottle for small animal; and,

FIG. 8 is a perspective view in an environment of the water bottle for small animal.

Broken lines and entirely unshaded portions contained within broken line are not claimed.

The article is a water bottle for animals which can be attached or removed from a cage.

1 Claim, 2 Drawing Sheets



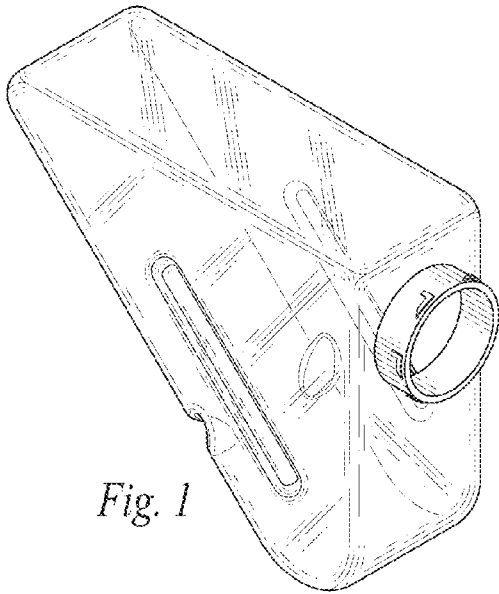


Fig. 1

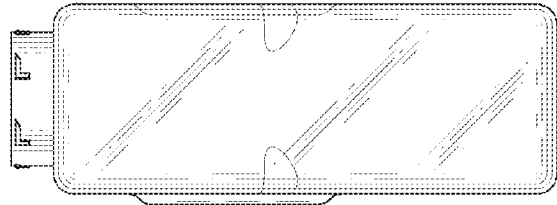


Fig. 2

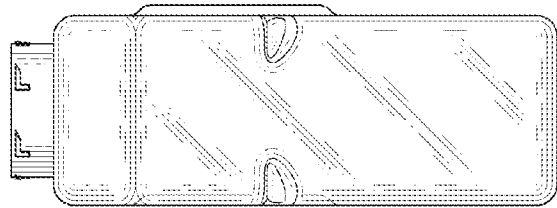


Fig. 3

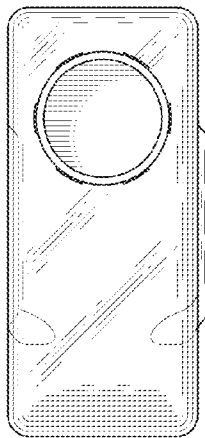


Fig. 4

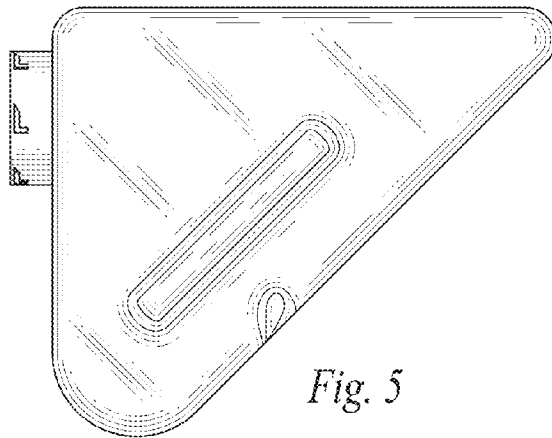


Fig. 5

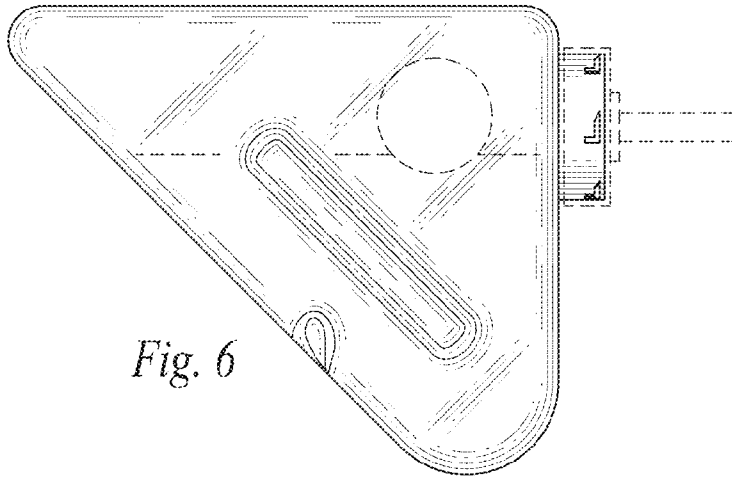


Fig. 6

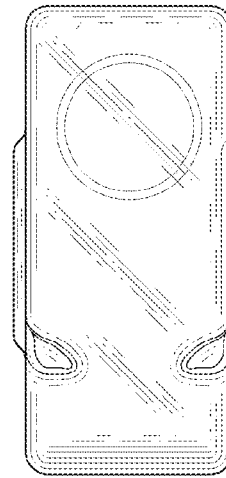


Fig. 7

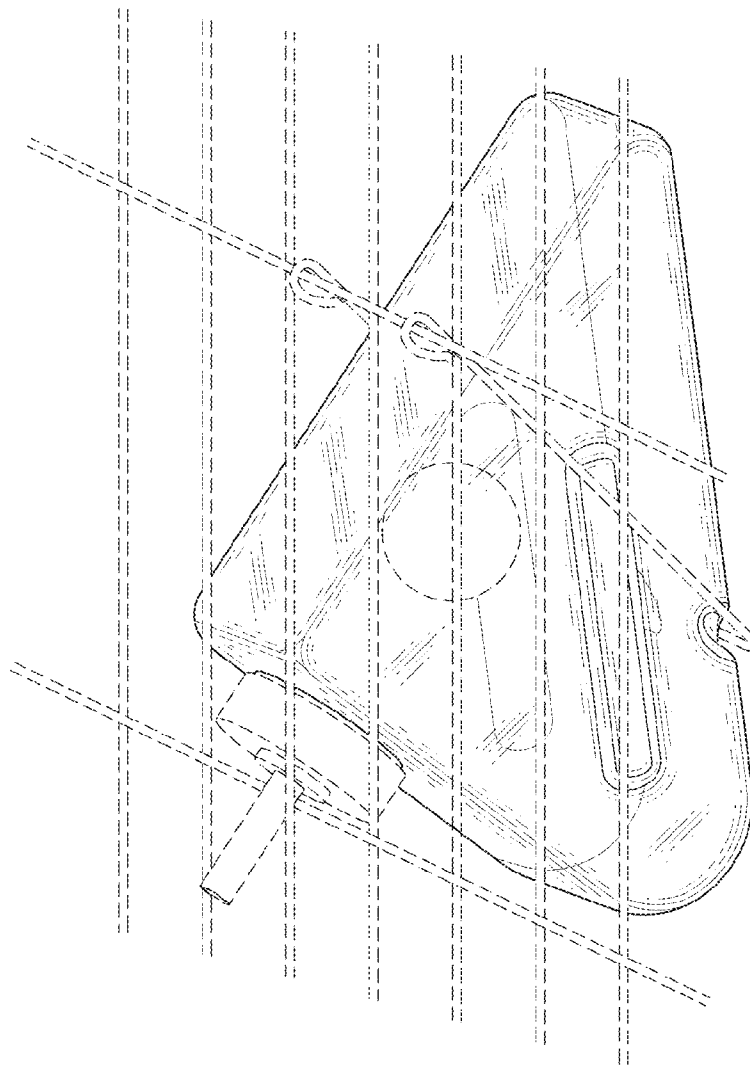


Fig. 8