



US00D737276S

(12) **United States Design Patent**
Armstrong et al.

(10) **Patent No.:** **US D737,276 S**
(45) **Date of Patent:** **** Aug. 25, 2015**

- (54) **PROTECTIVE CASE FOR ELECTRONIC TABLET**
- (71) Applicants: **Steven Armstrong**, Laguna Niguel, CA (US); **Jay Veltz**, Laguna Niguel, CA (US)
- (72) Inventors: **Steven Armstrong**, Laguna Niguel, CA (US); **Jay Veltz**, Laguna Niguel, CA (US)
- (73) Assignee: **URBAN ARMOR GEAR, LLC**, Laguna Niguel, CA (US)
- (**) Term: **14 Years**
- (21) Appl. No.: **29/467,609**
- (22) Filed: **Sep. 20, 2013**
- (51) **LOC (10) Cl.** **14-02**
- (52) **U.S. Cl.**
USPC **D14/440**
- (58) **Field of Classification Search**
USPC D14/250, 251, 253, 240, 217, 496, 440, D14/203.3, 203.4, 203.5, 203.8, 341, 318; D3/218, 215, 201, 294, 289, 900; 220/4.02; 248/309.1; 361/679.56; 379/426, 433.11, 455; 455/575.1, 455/575.8, 457.1; 190/100; 206/305, 320, 206/45.2; D21/469; 312/240
CPC ... G06F 1/1601; G06F 1/1626; G06F 1/1633; G06F 1/1675; G06F 1/1679; G02F 1/1306; G02F 1/133; G02F 1/133308; G02F 1/153; G02F 1/1533; G02F 2001/133317; H04M 1/185; H04M 1/0252; H04B 1/3888
See application file for complete search history.

(56) **References Cited**

U.S. PATENT DOCUMENTS

- 1,613,536 A * 1/1927 Rose 132/315
- D230,376 S * 2/1974 Andrew D19/91
- 4,259,568 A * 3/1981 Dynesen 235/1 D
- 6,772,879 B1 * 8/2004 Domotor 206/45.23

- 7,281,698 B2 * 10/2007 Patterson, Jr. 248/458
- 7,414,833 B2 * 8/2008 Kittayapong 361/679.27
- 7,735,644 B2 * 6/2010 Sirichai et al. 206/320
- D658,187 S * 4/2012 Diebel D14/440
- D658,188 S * 4/2012 Diebel D14/440

(Continued)

Primary Examiner — Cynthia Underwood
(74) *Attorney, Agent, or Firm* — Troutman Sanders, LLP

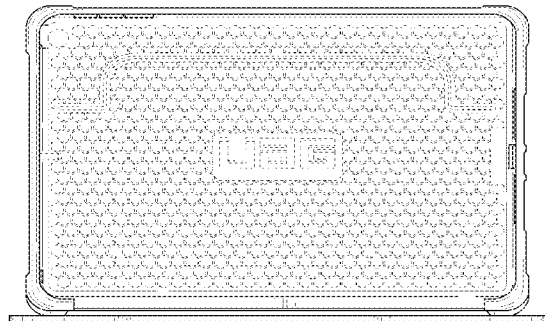
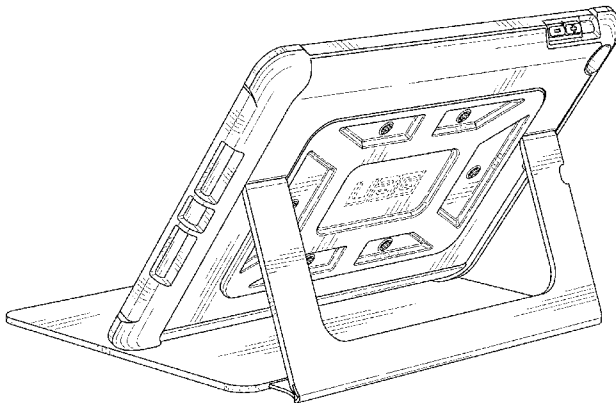
(57) **CLAIM**

The ornamental design for a protective case for electronic tablet, as shown and described.

DESCRIPTION

FIG. 1 is a rear perspective view of a protective case for electronic tablet, showing our new design;
 FIG. 2 is a front elevational view of the protective case for electronic tablet of FIG. 1;
 FIG. 3 is a rear elevational view of the protective case for electronic tablet of FIG. 1;
 FIG. 4 is a right side elevational view of the protective case for electronic tablet of FIG. 1;
 FIG. 5 is a left side elevational view of the protective case for electronic tablet of FIG. 1;
 FIG. 6 is a top plan view of the protective case for electronic tablet of FIG. 1;
 FIG. 7 is a bottom plan view of the protective case for electronic tablet of FIG. 1;
 FIG. 8 is a rear perspective view of the protective case for electronic tablet of FIG. 1, shown in an alternate, unfolded configuration of use;
 FIG. 9 is a front elevational view of the protective case for electronic tablet of FIG. 8;
 FIG. 10 is a rear elevational view of the protective case for electronic tablet of FIG. 8;
 FIG. 11 is a left side elevational view of the protective case for electronic tablet of FIG. 8;
 FIG. 12 is a right side elevational view of the protective case for electronic tablet of FIG. 8;
 FIG. 13 is a top plan view of the protective case for electronic tablet of FIG. 8; and,
 FIG. 14 is a bottom plan view of the protective case for electronic tablet of FIG. 8.
 Dashed lines form no part of the claimed design.

1 Claim, 12 Drawing Sheets



(56)

References Cited

U.S. PATENT DOCUMENTS

D663,304	S *	7/2012	Akana et al.	D14/440	8,657,112	B2 *	2/2014	Igarashi	206/320
8,230,992	B2 *	7/2012	Law et al.	206/320	D701,205	S *	3/2014	Akana et al.	D14/345
8,245,843	B1 *	8/2012	Wu	206/320	D702,673	S *	4/2014	Murchison et al.	D14/250
8,312,991	B2 *	11/2012	Diebel et al.	206/45.24	D704,689	S *	5/2014	Chang	D14/250
D671,948	S *	12/2012	Akana et al.	D14/440	D704,693	S *	5/2014	Kim	D14/250
D672,353	S *	12/2012	Liu	D14/440	D706,270	S *	6/2014	Akana et al.	D14/440
D672,781	S *	12/2012	Lu	D14/440	D706,783	S *	6/2014	Almodova	D14/440
D675,625	S *	2/2013	Hasbrook et al.	D14/440	D707,229	S *	6/2014	Almodova	D14/440
D678,260	S *	3/2013	Bau	D14/250	8,757,375	B2 *	6/2014	Huang	206/320
D679,279	S *	4/2013	Yang et al.	D14/440	D708,838	S *	7/2014	Lee	D3/201
D679,715	S *	4/2013	Akana et al.	D14/440	8,763,795	B1 *	7/2014	Oten et al.	206/45.23
8,424,830	B2 *	4/2013	Yang et al.	248/459	8,766,921	B2 *	7/2014	Ballagas et al.	345/168
D681,641	S *	5/2013	Van Den Nieuwenhuizen et al.	D14/440	8,773,353	B2 *	7/2014	Wei	345/156
D682,836	S *	5/2013	Akana et al.	D14/440	8,783,458	B2 *	7/2014	Gallagher et al.	206/320
D682,838	S *	5/2013	Akana et al.	D14/440	D710,859	S *	8/2014	Mecchella et al.	D14/440
D683,141	S *	5/2013	Symons	D6/310	8,797,132	B2 *	8/2014	Childs et al.	335/219
D687,438	S *	8/2013	Lu	D14/440	2003/0034263	A1 *	2/2003	D'Hoste	206/320
D690,305	S *	9/2013	Wen	D14/440	2008/0302687	A1 *	12/2008	Sirichai et al.	206/320
D690,702	S *	10/2013	Chung	D14/440	2009/0159763	A1 *	6/2009	Kim	248/174
D691,142	S *	10/2013	Diebel	D14/440	2011/0266194	A1 *	11/2011	Bau	206/736
D692,434	S *	10/2013	Kim	D14/440	2011/0290687	A1 *	12/2011	Han	206/320
D693,823	S *	11/2013	Chen et al.	D14/440	2012/0211377	A1 *	8/2012	Sajid	206/216
D695,296	S *	12/2013	Hsu	D14/440	2012/0211613	A1 *	8/2012	Yang et al.	248/174
D696,253	S *	12/2013	Akana et al.	D14/345	2012/0305413	A1 *	12/2012	Chung	206/45.23
D696,256	S *	12/2013	Piedra et al.	D14/440	2012/0308981	A1 *	12/2012	Libin et al.	434/362
D696,669	S *	12/2013	Akana et al.	D14/440	2013/0015088	A1 *	1/2013	Wu	206/320
8,640,864	B2 *	2/2014	Chen et al.	206/45.2	2013/0020216	A1 *	1/2013	Chiou	206/320
8,644,893	B2 *	2/2014	Liang	455/575.1	2013/0140203	A1 *	6/2013	Chiang	206/320
					2013/0213838	A1 *	8/2013	Tsai et al.	206/320
					2013/0214661	A1 *	8/2013	McBroom	312/325
					2013/0241381	A1 *	9/2013	Hynecek et al.	312/240
					2013/0264459	A1 *	10/2013	McCosh et al.	248/688

* cited by examiner

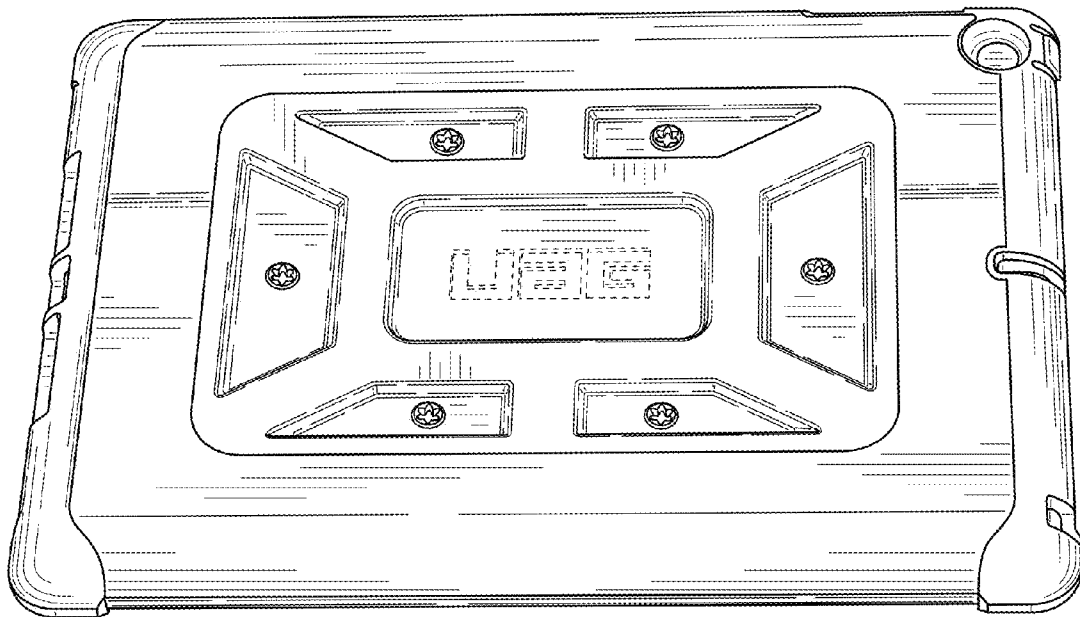


FIG. 1

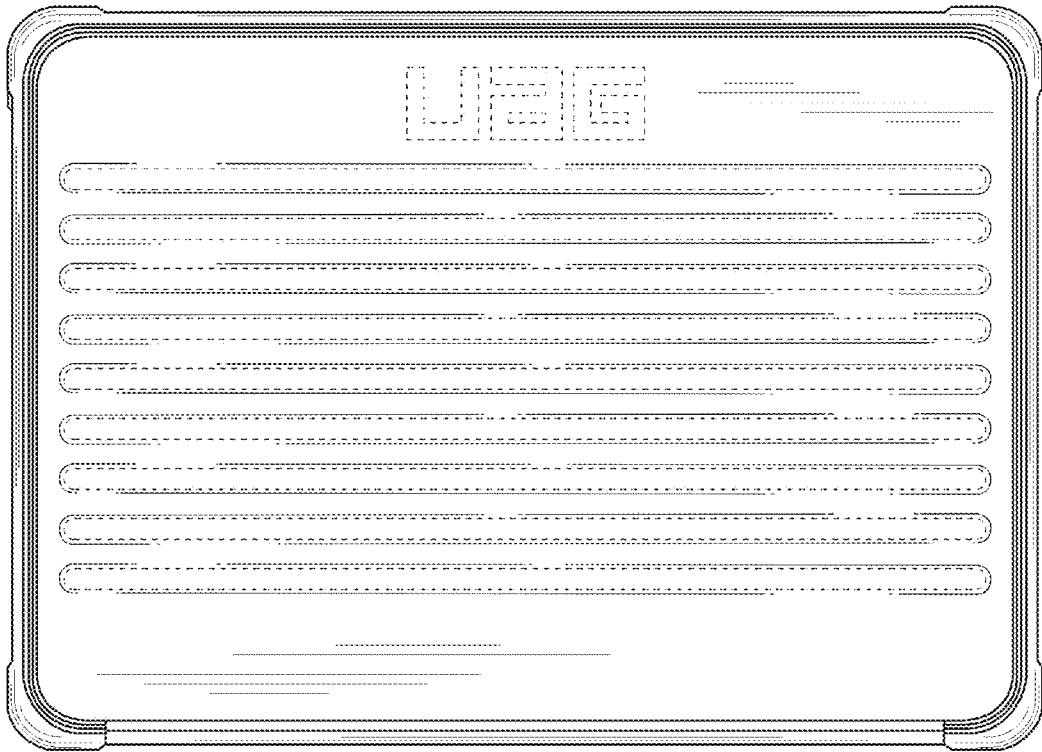


FIG. 2

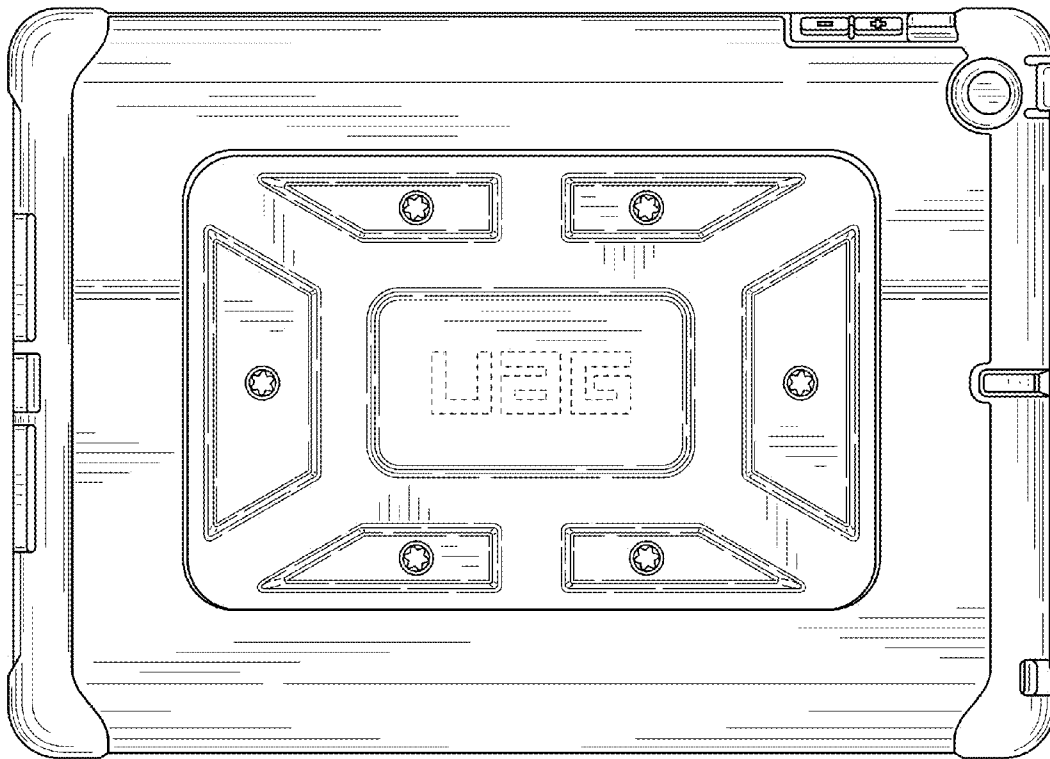


FIG. 3

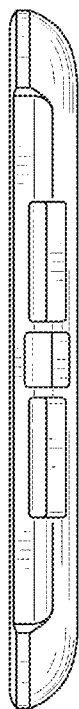


FIG. 4



FIG. 5

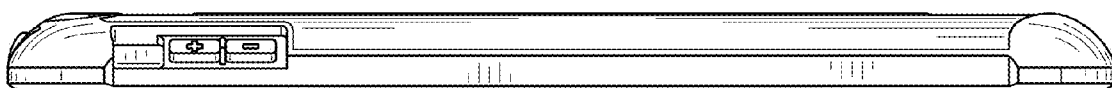


FIG. 6

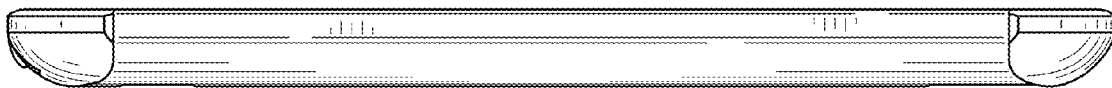


FIG. 7

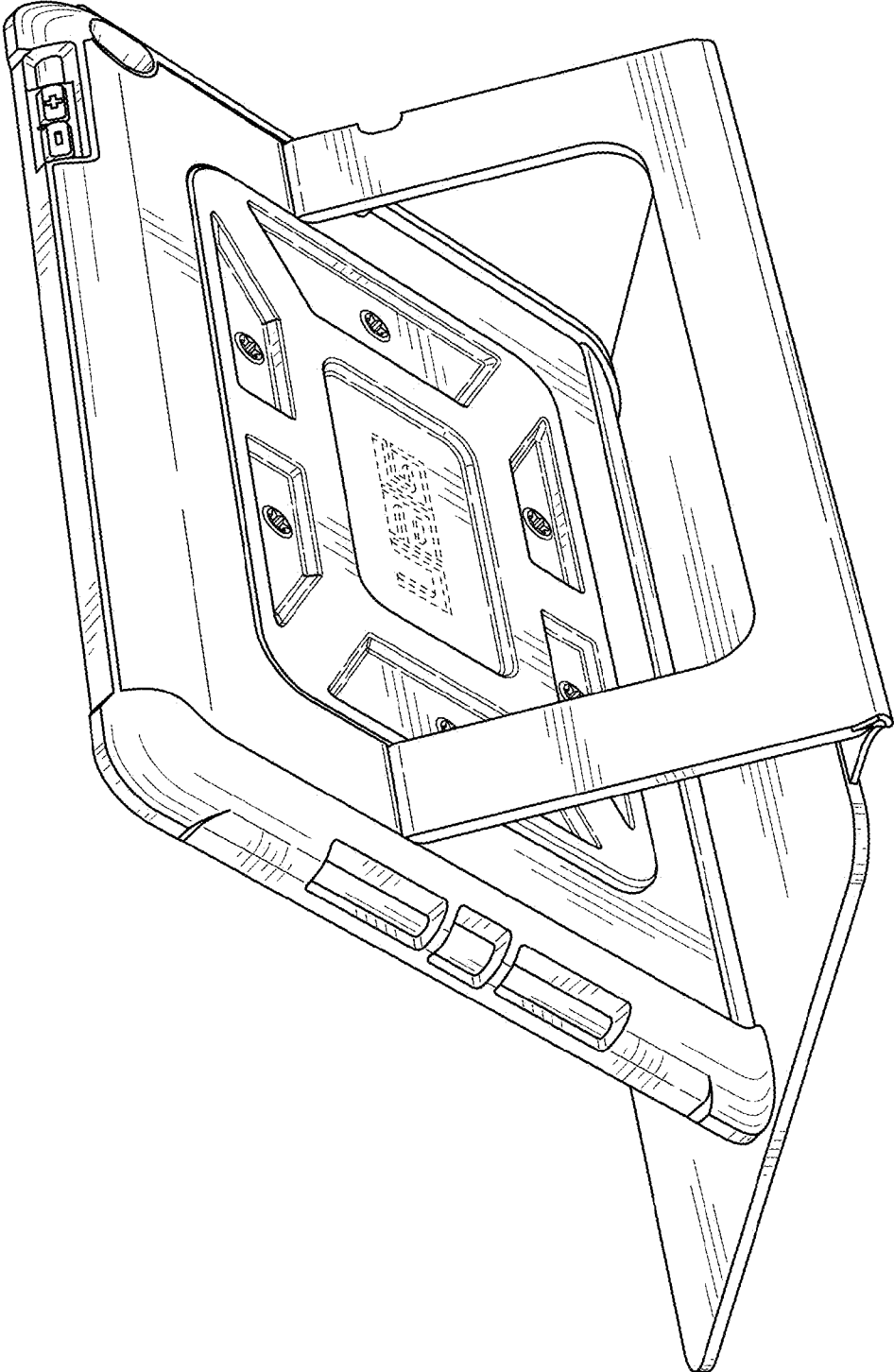


FIG. 8

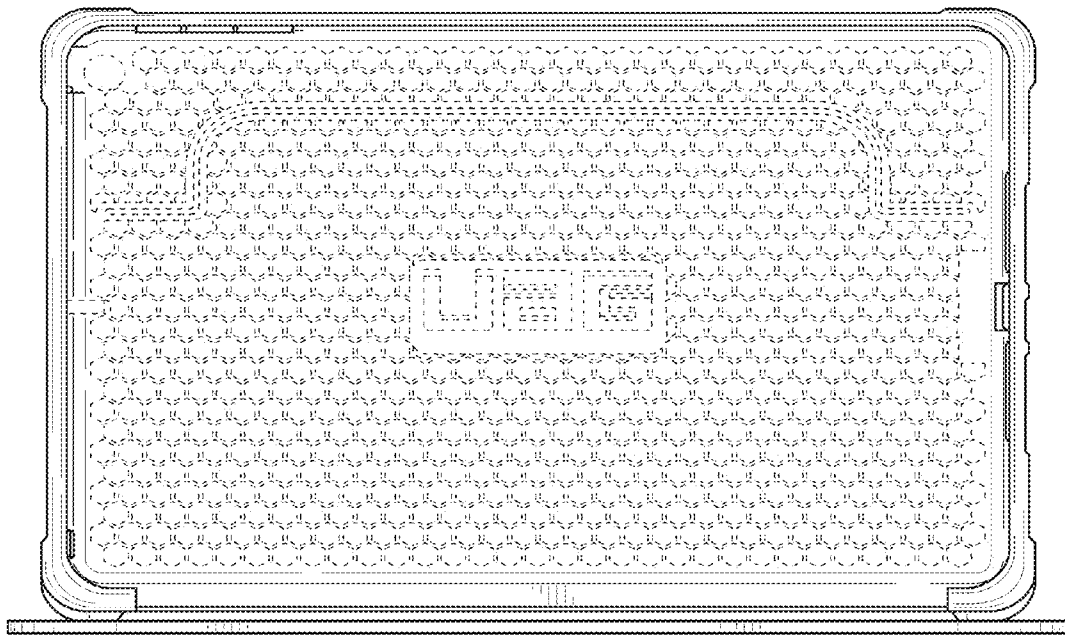


FIG. 9

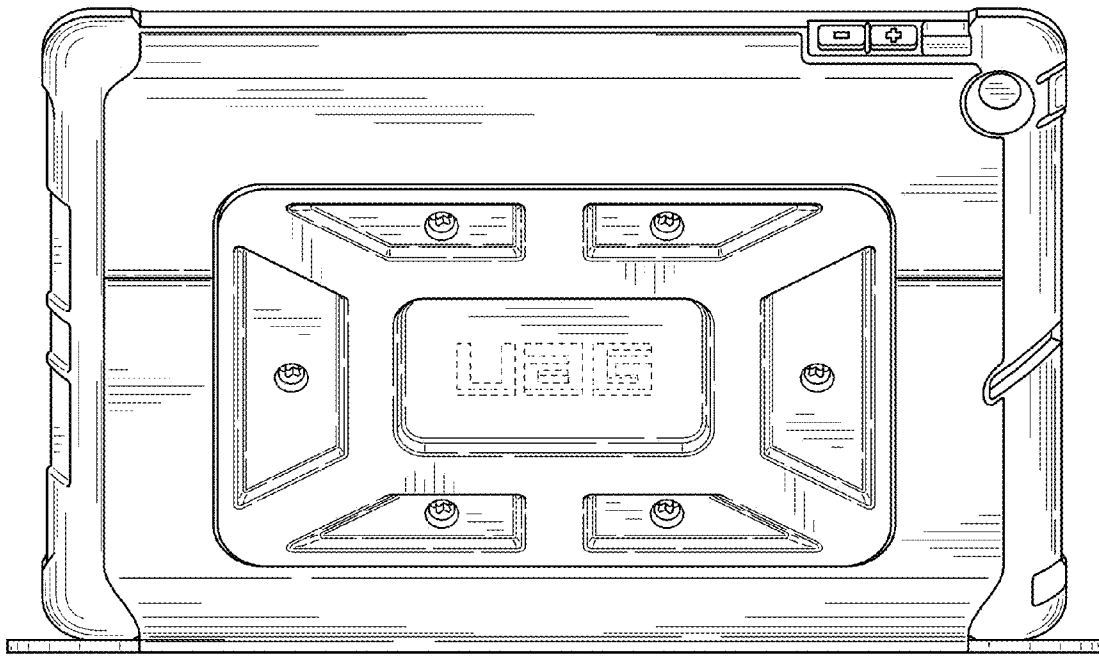


FIG. 10

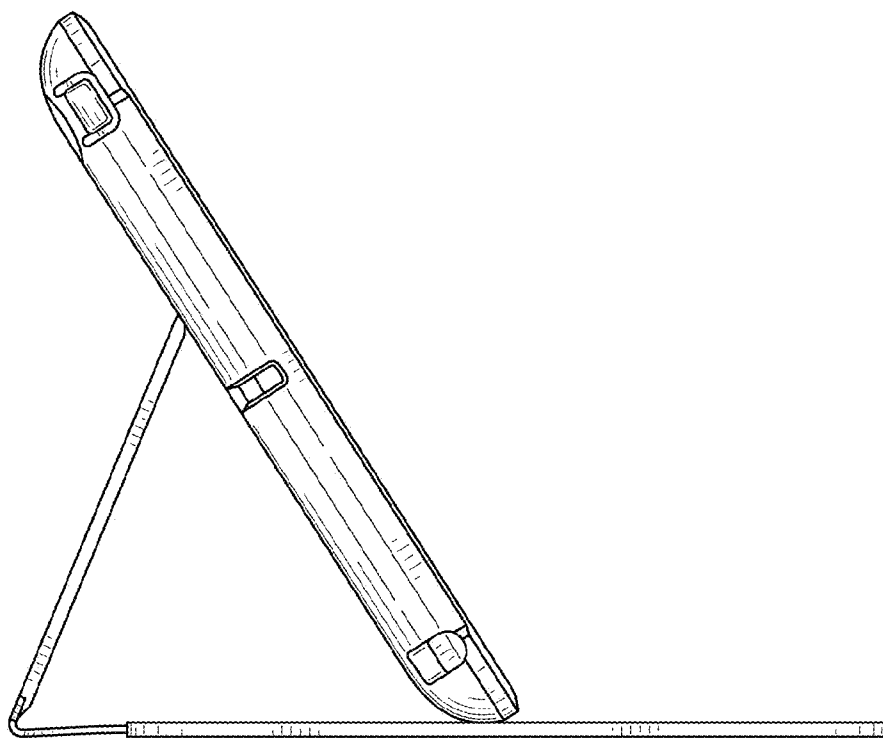


FIG. 11

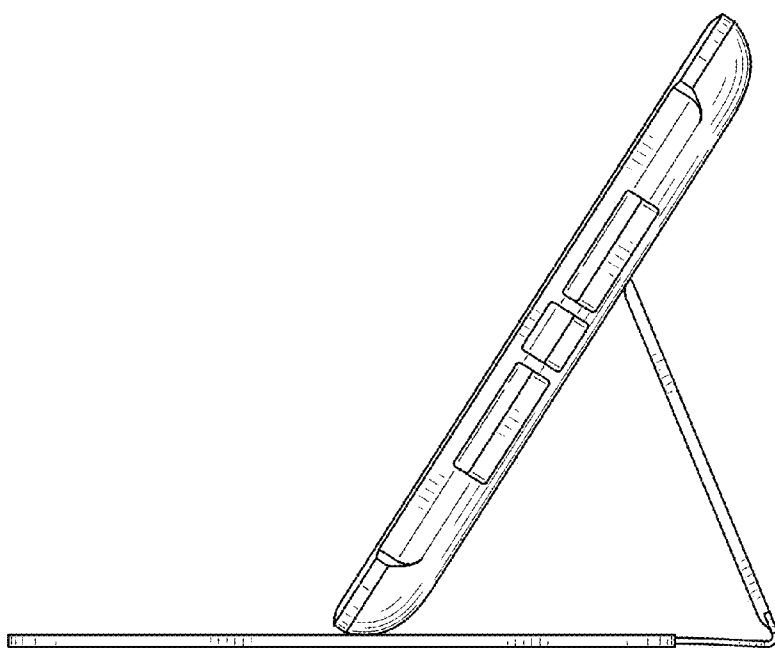


FIG. 12

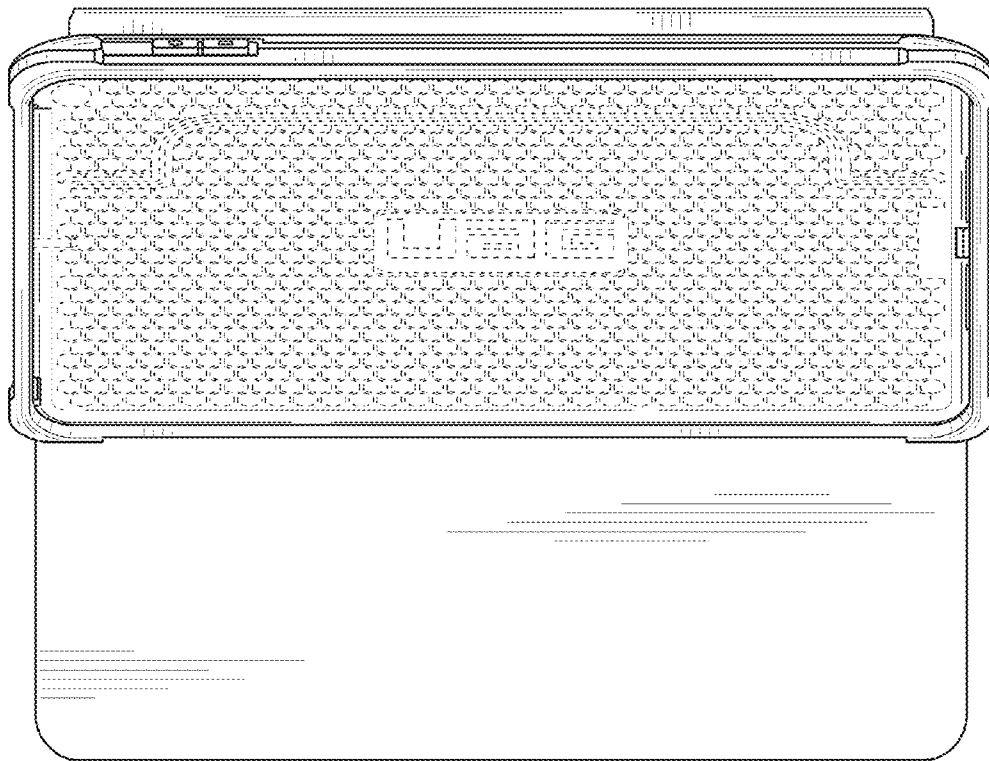


FIG. 13

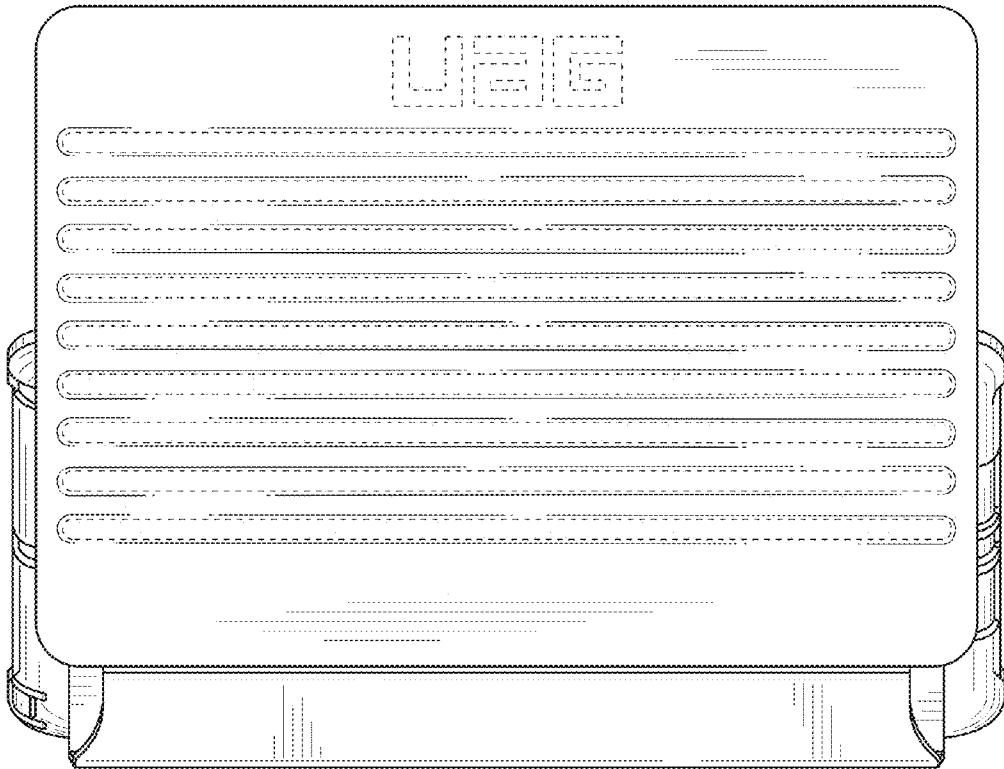


FIG. 14