



US0D1024286S

(12) **United States Design Patent**
Rehn, III et al.

(10) **Patent No.:** **US D1,024,286 S**

(45) **Date of Patent:** **** Apr. 23, 2024**

(54) **AFTERTREATMENT SYSTEM COMPONENT WITH INTEGRATED SUPPORT RODS**

D967,863 S * 10/2022 Sperry D15/5
D967,864 S * 10/2022 Sperry D15/5
11,746,684 B2 * 9/2023 Wahlström F01N 3/2892
60/282

(71) Applicant: **Cummins Emission Solutions Inc.**,
Columbus, IN (US)

2022/0090532 A1 * 3/2022 Degner F01N 13/18
2022/0099121 A1 * 3/2022 Kumar F01N 13/00
2022/0178296 A1 * 6/2022 Hogan F01N 13/1805
2022/0316382 A1 * 10/2022 De Rudder B01F 25/4315
2023/0003159 A1 * 1/2023 Mittapalli F01N 3/2066
2023/0141549 A1 * 5/2023 Kalyanshetti F01N 3/005
454/367

(72) Inventors: **Jack Rehn, III**, Madison, WI (US);
Jacob D. Canik, Stoughton, WI (US);
Lindsey R. Henry, Oregon, WI (US);
Scott Charles Ehlenfeldt, Beaver Dam,
WI (US)

* cited by examiner

(73) Assignee: **Cummins Emission Solutions Inc.**,
Columbus, IN (US)

Primary Examiner — Calvin E Vasant

Assistant Examiner — Eidiol Ghigliotty Torres

(74) *Attorney, Agent, or Firm* — Foley & Lardner LLP

(**) Term: **15 Years**

(21) Appl. No.: **29/828,703**

(22) Filed: **Feb. 28, 2022**

(51) **LOC (14) Cl.** **23-01**

(52) **U.S. Cl.**
USPC **D23/265**

(58) **Field of Classification Search**

USPC D15/5, 138, 199; D23/265
CPC F01N 3/021; F01N 3/2006; F01N 3/2066;
F01N 2550/02; F01N 2560/021; F01N
2560/026; F01N 2610/00

See application file for complete search history.

(56) **References Cited**

U.S. PATENT DOCUMENTS

D781,071 S * 3/2017 Callif D6/566
D816,010 S * 4/2018 Rike D8/396
D840,908 S * 2/2019 Rike D8/396
D849,662 S * 5/2019 Rike D12/218
D855,090 S * 7/2019 McDonald D23/265
D901,091 S * 11/2020 Penno D29/125

(57) **CLAIM**

We claim the ornamental design for an aftertreatment system component with integrated support rods, as shown and described.

DESCRIPTION

FIG. 1 is a front view of the aftertreatment system component with integrated support rods according to an embodiment of our new design;

FIG. 2 is a rear view of the embodiment;

FIG. 3 is a left side view of the embodiment;

FIG. 4 is a right side view of the embodiment;

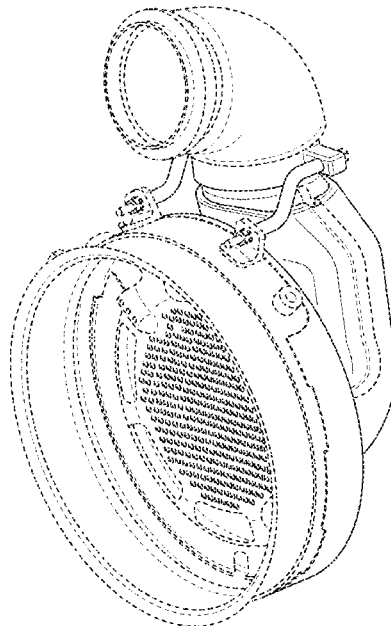
FIG. 5 is a top view of the embodiment;

FIG. 6 is a bottom view of the embodiment; and,

FIG. 7 is a front, right, top perspective view of the embodiment.

The ornamental design that is claimed is shown in solid lines in the drawings. The broken lines in the drawings depict environmental subject matter only and form no part of the claimed design.

1 Claim, 7 Drawing Sheets



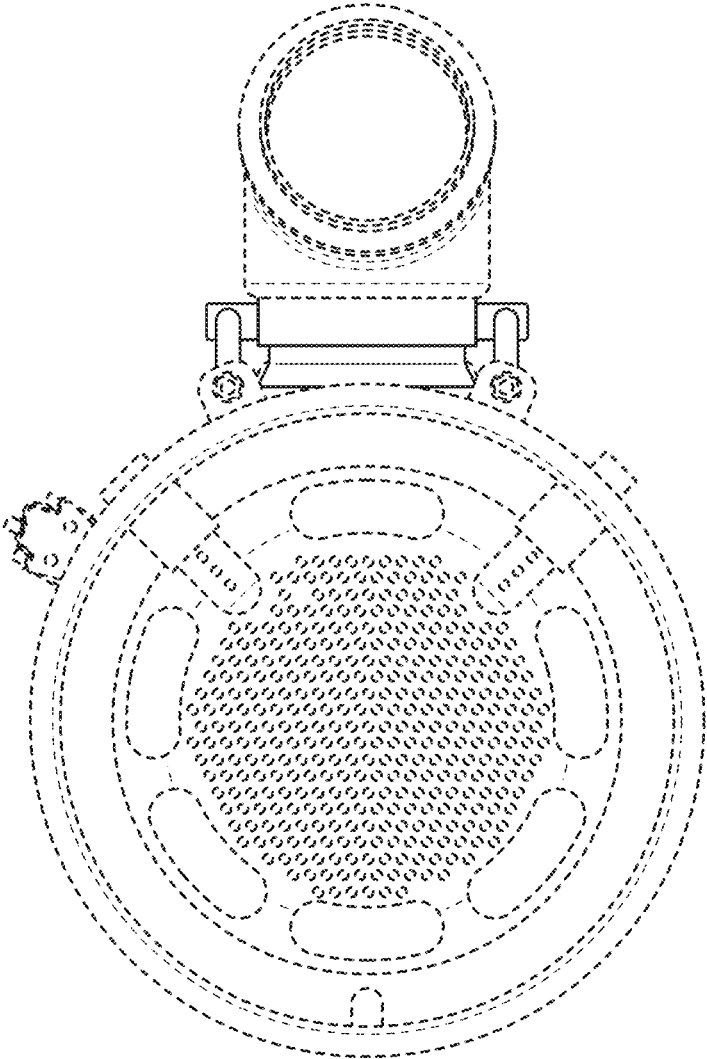


FIG. 1

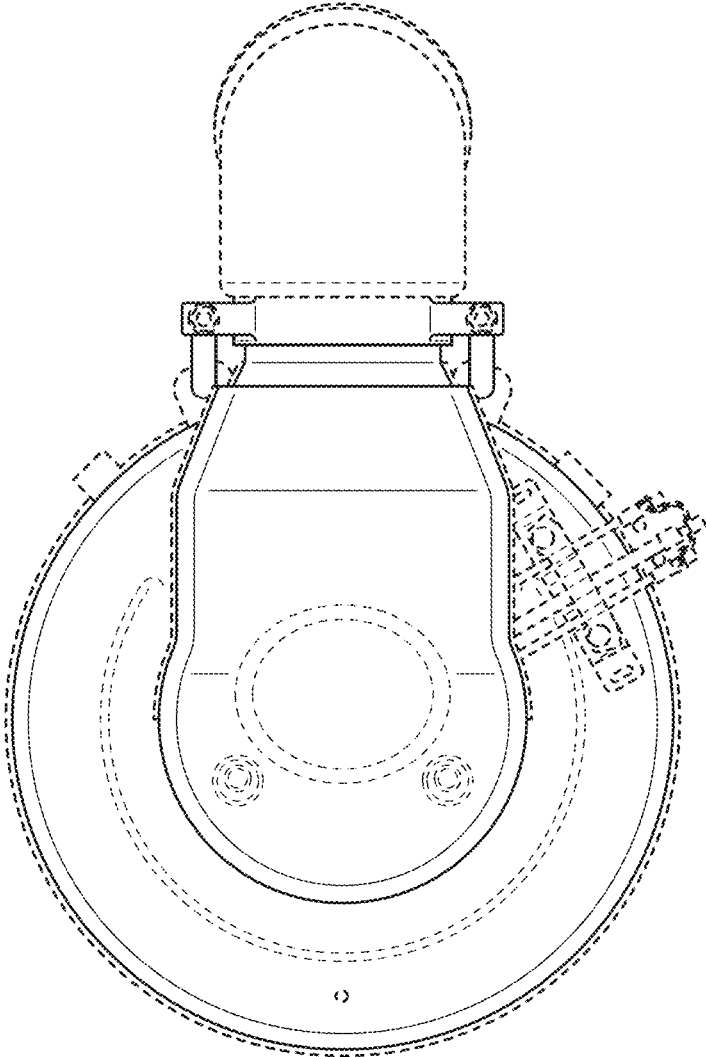


FIG. 2

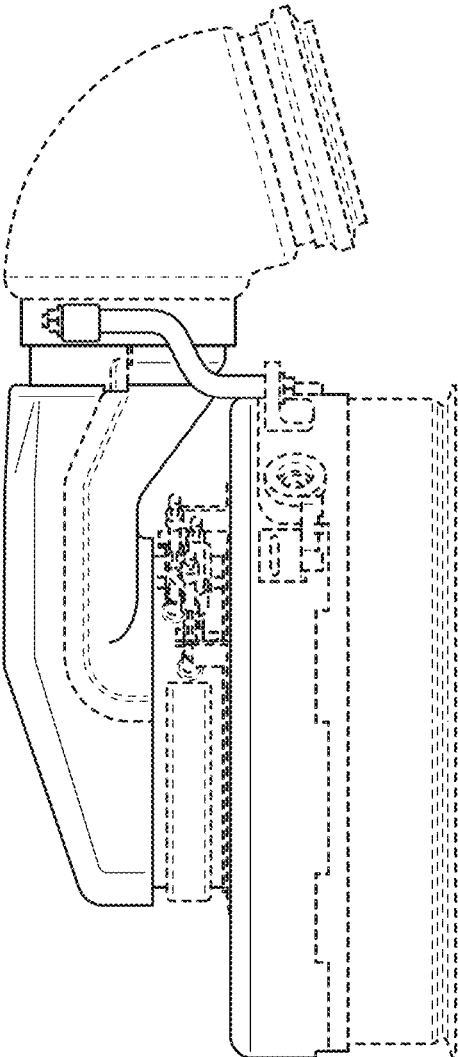


FIG. 3

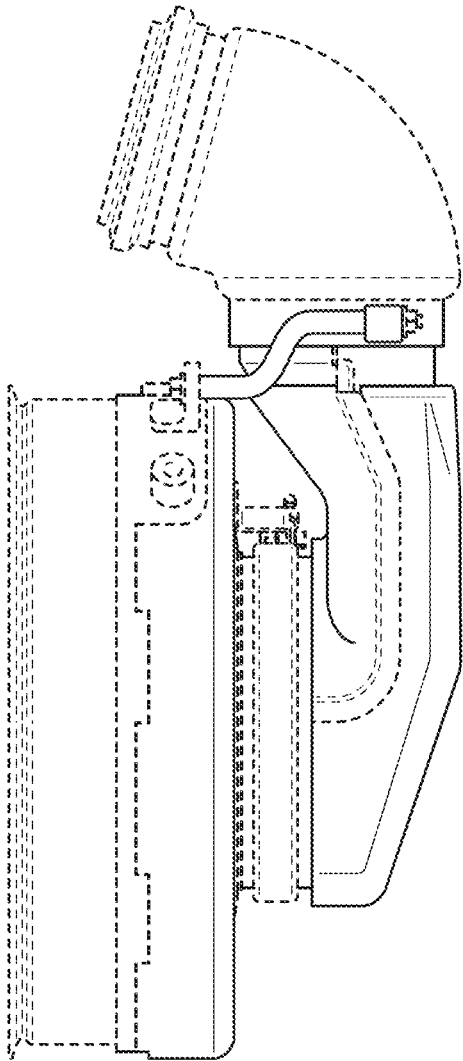


FIG. 4

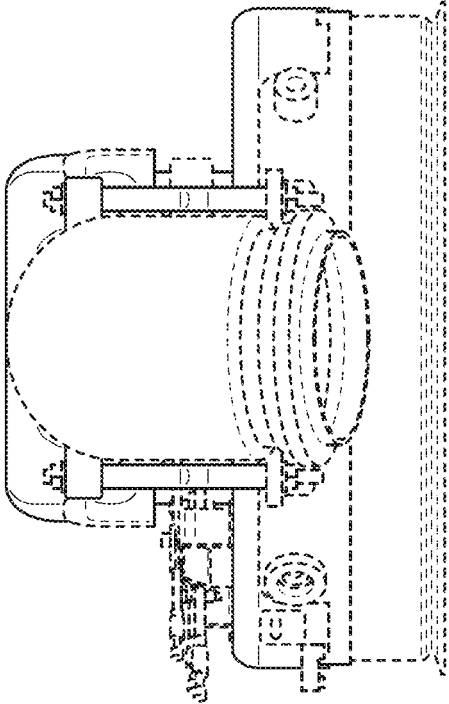


FIG. 5

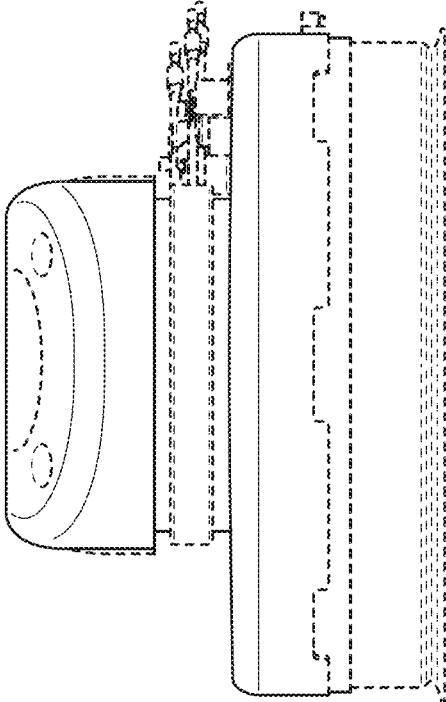


FIG. 6

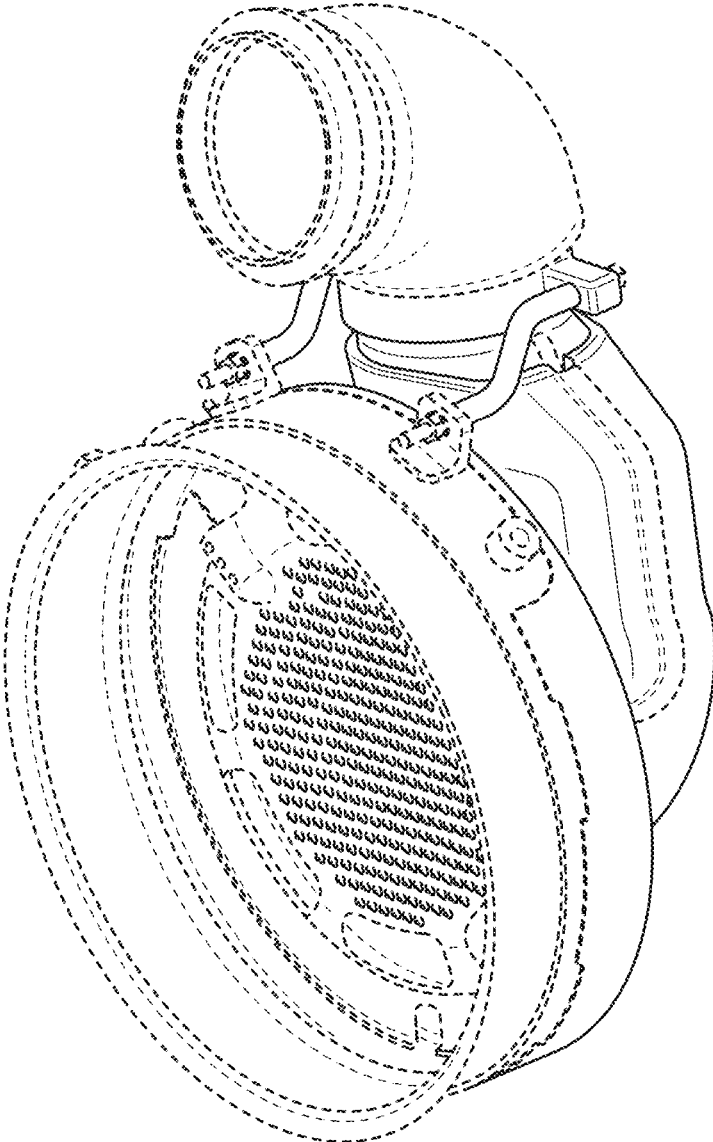


FIG. 7