



US00D747640S

(12) **United States Design Patent**  
**Scalisi**

(10) **Patent No.:** **US D747,640 S**

(45) **Date of Patent:** **\*\* Jan. 19, 2016**

(54) **SMART LOCK SYSTEM**

(71) Applicant: **SkyBell Technologies, Inc.**, Irvine, CA  
(US)

(72) Inventor: **Joseph Frank Scalisi**, Yorba Linda, CA  
(US)

(73) Assignee: **SkyBell Technologies, Inc.**, Irvine, CA  
(US)

(\*\*) Term: **14 Years**

(21) Appl. No.: **29/507,393**

(22) Filed: **Oct. 27, 2014**

5,345,794	A *	9/1994	Jenks	70/14
5,671,624	A *	9/1997	Sivils	70/408
D395,814	S *	7/1998	Yang	D8/334
6,016,677	A *	1/2000	Clark	70/416
D422,893	S *	4/2000	Heredos-Formby	D8/382
7,015,943	B2 *	3/2006	Chiang	348/143
D594,311	S *	6/2009	Stevens	D8/334

(Continued)

**OTHER PUBLICATIONS**

August Smart Lock—Part 3—downloaded on Oct. 10, 2014 from  
www.August.com.

Kevo Lock—Installation guide—downloaded on Oct. 10, 2014 from  
http://s7d5.scene7.com/is/content/BDHHI/Kwikset/  
Website%20Content/Kevo/installation\_guide.pdf.

Schlage Electronic Lock—User guide—downloaded on Jun. 10,  
2014 from www.schlage.com.

(Continued)

**Related U.S. Application Data**

(63) Continuation-in-part of application No. 14/469,583,  
filed on Aug. 27, 2014, now Pat. No. 8,947,530, and a  
continuation-in-part of application No. 14/099,888,  
filed on Dec. 6, 2013, now Pat. No. 8,823,795, and a  
continuation-in-part of application No. 14/142,839,  
filed on Dec. 28, 2013, now Pat. No. 8,842,180, and a  
continuation-in-part of application No. 14/275,811,  
filed on May 12, 2014, now Pat. No. 8,872,915, and a  
continuation-in-part of application No. 14/098,772,  
filed on Dec. 6, 2013, now Pat. No. 8,780,201.

(51) **LOC (10) Cl.** ..... **08-07**

(52) **U.S. Cl.**  
USPC ..... **D8/331; D8/343**

(58) **Field of Classification Search**  
USPC ..... D8/330, 331, 333, 317, 335, 336, 337,  
D8/338, 341, 342, 348, 350, 352; 70/14,  
70/20, 21, 27, 32, 39, 41, 52-56, 86, 423,  
70/57, DIG. 38, DIG. 39

See application file for complete search history.

(56) **References Cited**

**U.S. PATENT DOCUMENTS**

5,127,244 A \* 7/1992 Myers ..... 70/2

*Primary Examiner* — Prabhakar Deshmukh

(57) **CLAIM**

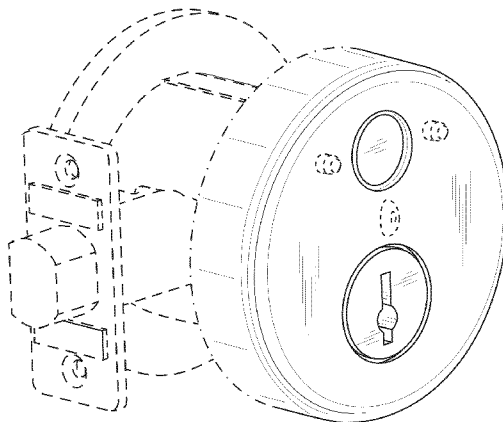
The ornamental design for a smart lock system, as shown and  
described.

**DESCRIPTION**

FIG. 1 is a front, first side, top perspective view of a smart lock  
system according to my design;  
FIG. 2 is a back, first side, top perspective view thereof;  
FIG. 3 is a front view thereof;  
FIG. 4 is a back view thereof;  
FIG. 5 is a second side view thereof;  
FIG. 6 is a first side view thereof;  
FIG. 7 is a top view thereof; and,  
FIG. 8 is a bottom view thereof.

The broken line portion of the figure drawings is included to  
show unclaimed subject matter only for the purpose of illus-  
trating environment and forms no part of the claimed design.  
In an embodiment, the nature of this product is a smart lock  
system that can take the form of a smart lock, smart lock  
housing, smart door lock, smart door lock housing, smart  
door lock system, lock, lock housing, lock system, door lock,  
door lock housing, and door lock system.

**1 Claim, 8 Drawing Sheets**



(56)

**References Cited**

U.S. PATENT DOCUMENTS

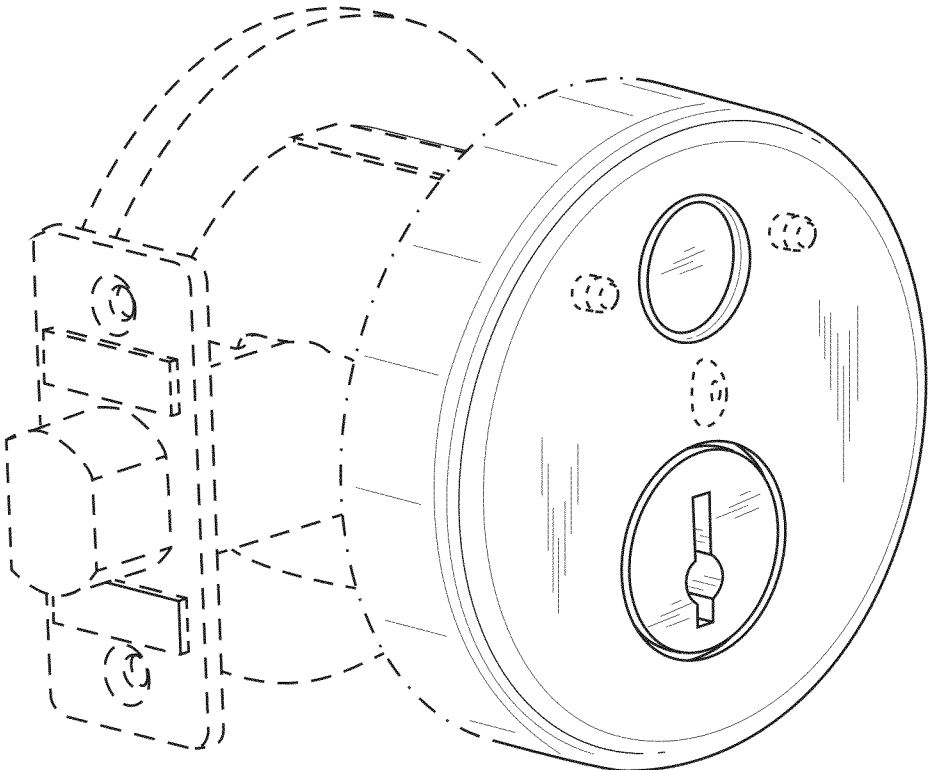
D634,181	S *	3/2011	Kang .....	D8/331
D682,658	S *	5/2013	Cramer et al. ....	D8/331
D709,754	S *	7/2014	Lylyk et al. ....	D8/331
D710,676	S *	8/2014	Kiechel et al. ....	D8/331
2005/0116480	A1	6/2005	Deng	
2008/0036862	A1 *	2/2008	Lang et al. ....	348/156
2012/0267962	A1	10/2012	Hanchett	

OTHER PUBLICATIONS

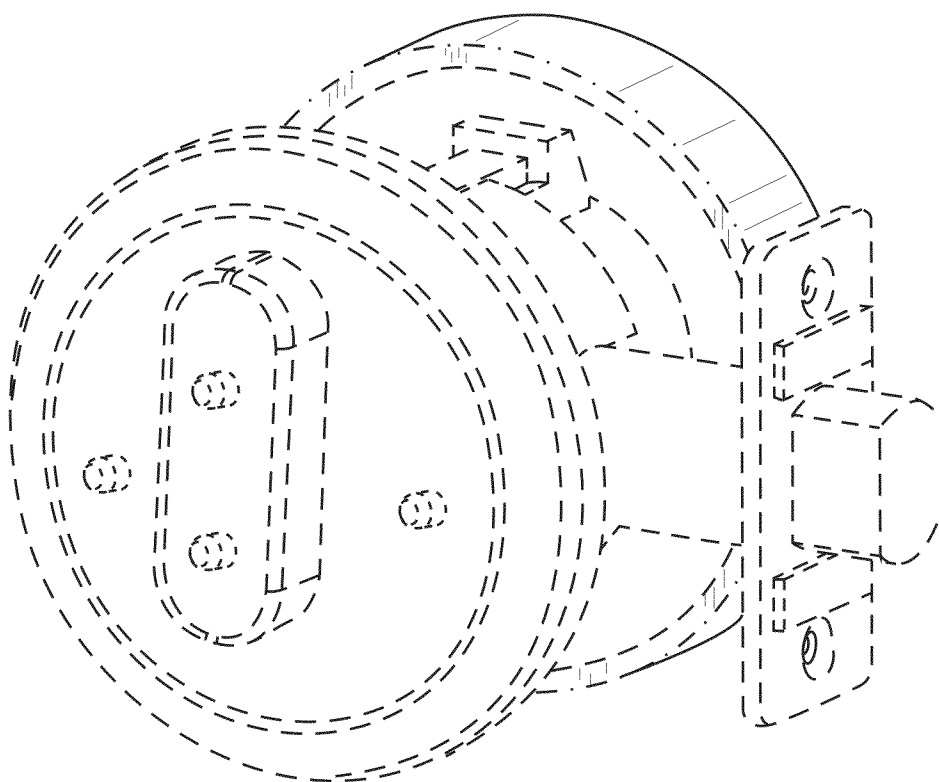
Ring Video Doorbell—Downloaded on Oct. 10, 2014 from [www.ring.com](http://www.ring.com).

Doorboot becomes Ring—Downloaded on Oct. 10, 2014 from [http://techcrunch.com/2014/09/29/doorbot-ring-home-security-doorbell/?ncid=rss&utm\\_source=feedburner&utm\\_medium=feed&utm\\_campaign=Feed](http://techcrunch.com/2014/09/29/doorbot-ring-home-security-doorbell/?ncid=rss&utm_source=feedburner&utm_medium=feed&utm_campaign=Feed).

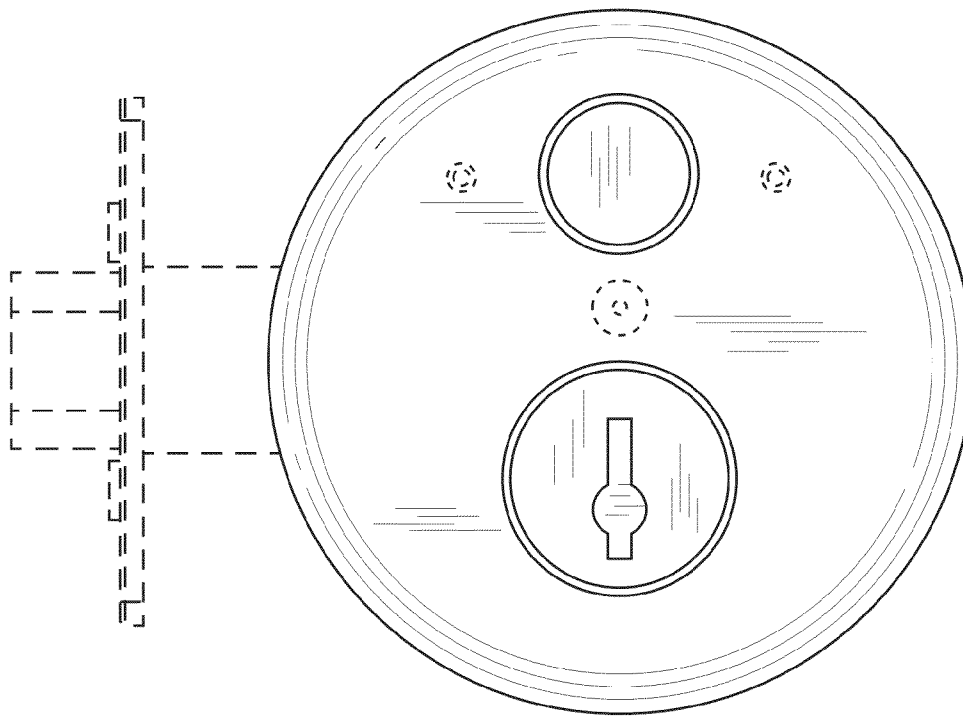
\* cited by examiner



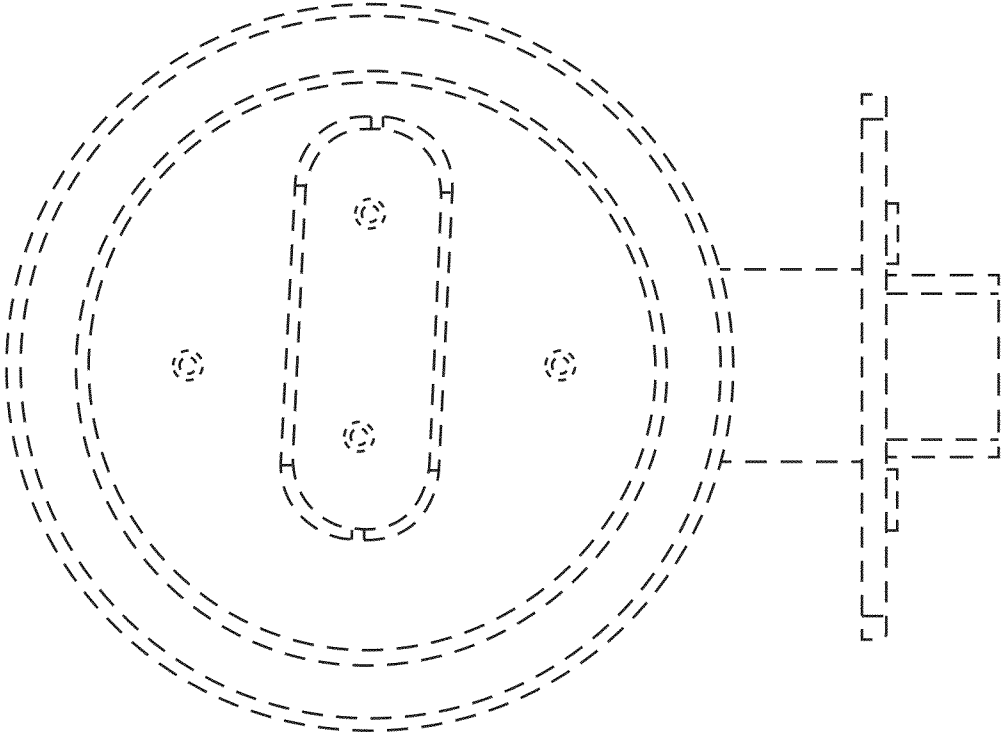
**FIG. 1**



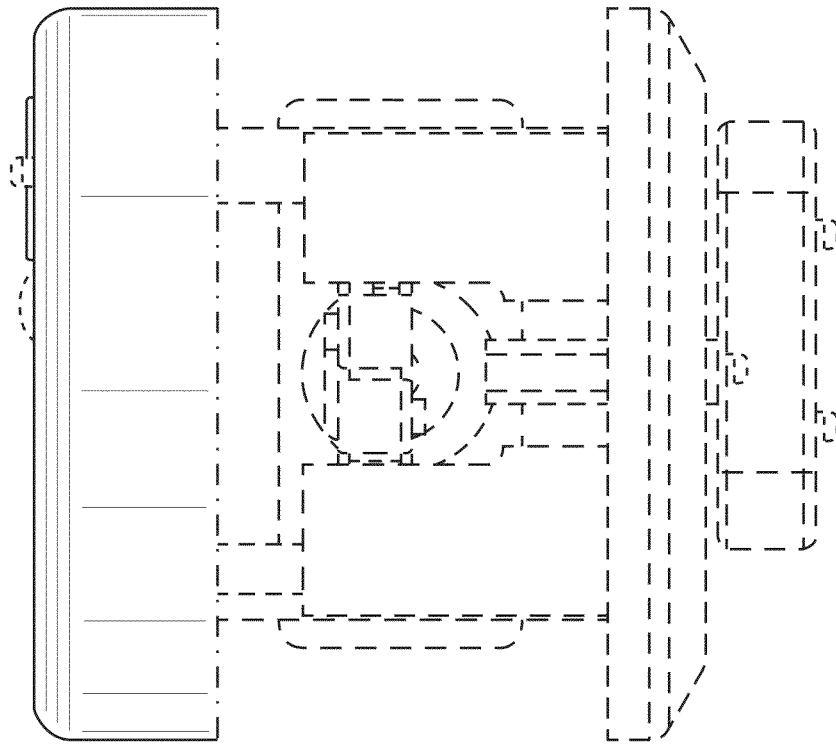
**FIG. 2**



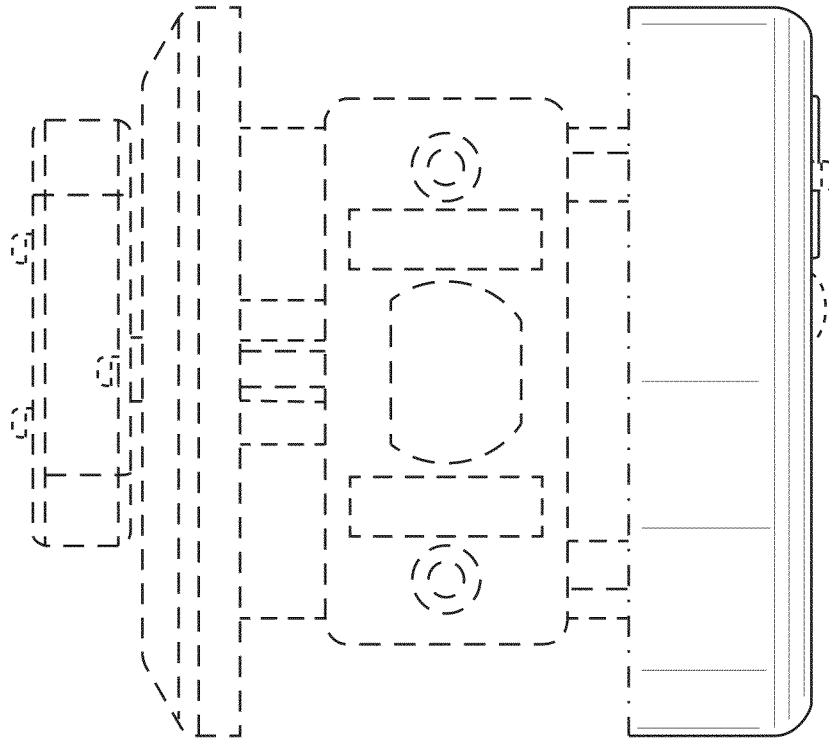
**FIG. 3**



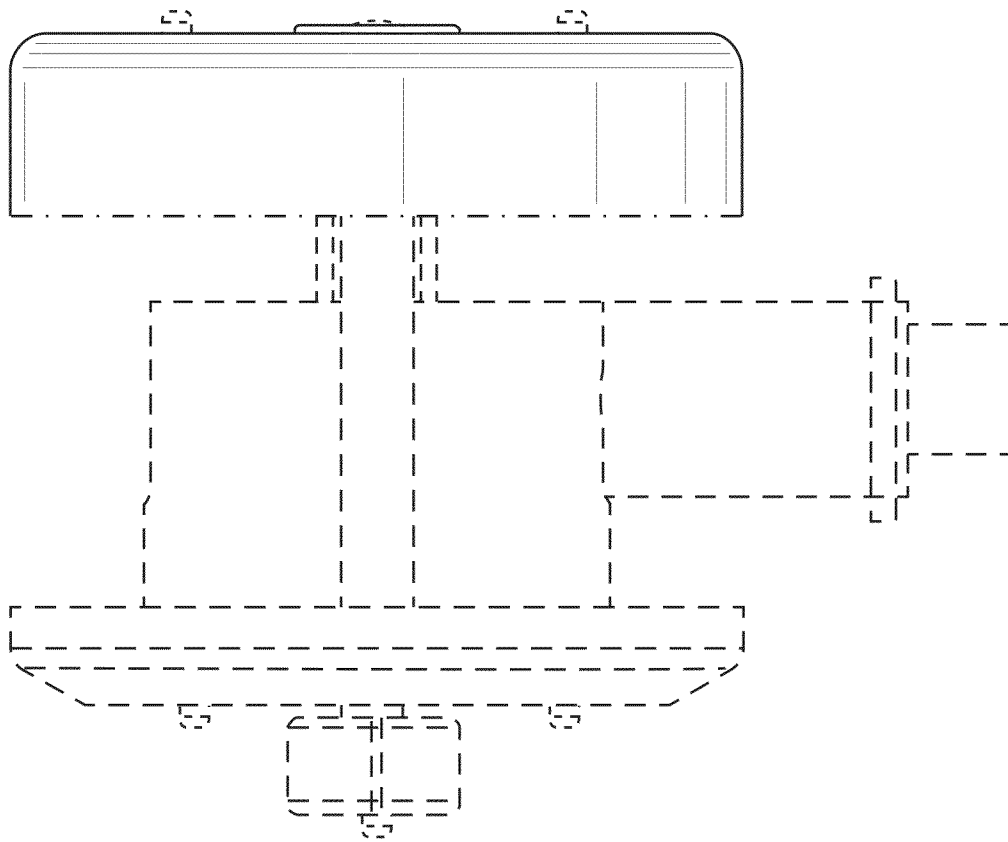
**FIG. 4**



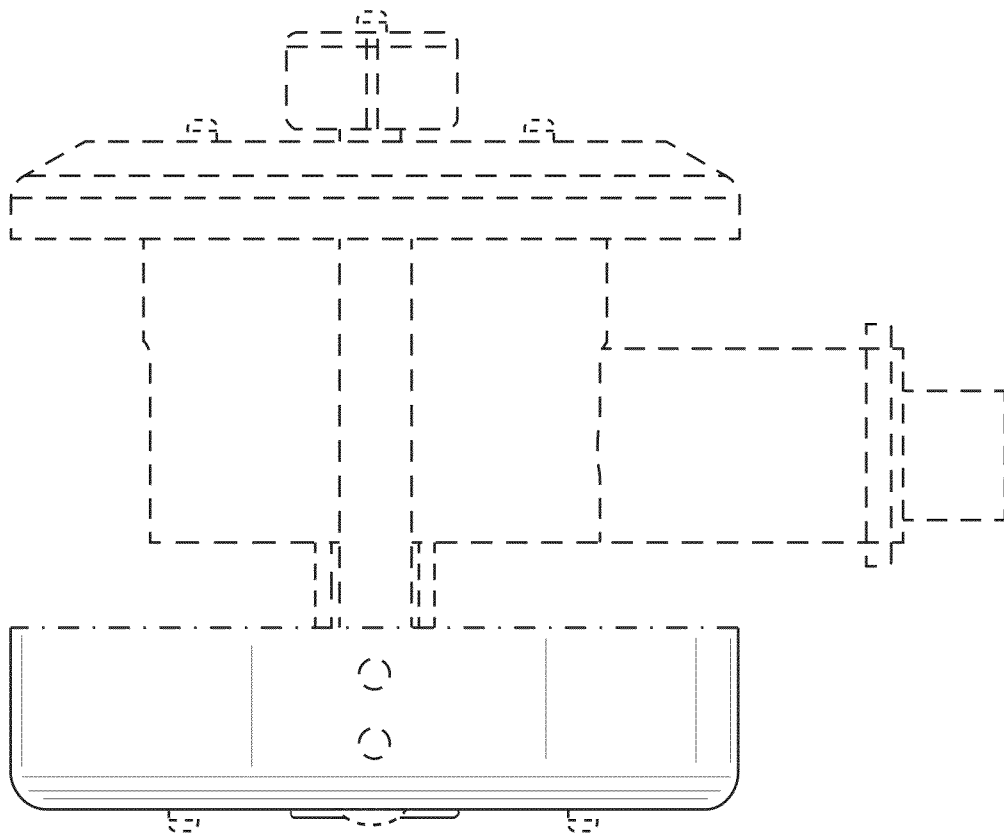
**FIG. 5**



**FIG. 6**



**FIG. 7**



**FIG. 8**