



(43) International Publication Date
3 December 2015 (03.12.2015)

(51) International Patent Classification:

A61B 6/12 (2006.01) A61M 25/00 (2006.01)
A61B 6/00 (2006.01) A61B 19/00 (2006.01)

(21) International Application Number:

PCT/IB2015/001528

(22) International Filing Date:

26 May 2015 (26.05.2015)

(25) Filing Language:

English

(26) Publication Language:

English

(30) Priority Data:

62/003,008 26 May 2014 (26.05.2014) US

(71) Applicant: **MEDIGUIDE LTD.** [IL/IL]; Matam Advanced Technology Center, P.O. Box 15003, 31053 Haifa (IL).

(72) Inventors: **EICHLER, Uzi**; 13 Vardia Street, 34657 Haifa (IL). **HERSCOVICI, Adrian**; 33 Hankin Street, 32762 Haifa (IL).

(81) Designated States (unless otherwise indicated, for every kind of national protection available): AE, AG, AL, AM, AO, AT, AU, AZ, BA, BB, BG, BH, BN, BR, BW, BY, BZ, CA, CH, CL, CN, CO, CR, CU, CZ, DE, DK, DM, DO, DZ, EC, EE, EG, ES, FI, GB, GD, GE, GH, GM, GT,

HN, HR, HU, ID, IL, IN, IR, IS, JP, KE, KG, KN, KP, KR, KZ, LA, LC, LK, LR, LS, LU, LY, MA, MD, ME, MG, MK, MN, MW, MX, MY, MZ, NA, NG, NI, NO, NZ, OM, PA, PE, PG, PH, PL, PT, QA, RO, RS, RU, RW, SA, SC, SD, SE, SG, SK, SL, SM, ST, SV, SY, TH, TJ, TM, TN, TR, TT, TZ, UA, UG, US, UZ, VC, VN, ZA, ZM, ZW.

(84) Designated States (unless otherwise indicated, for every kind of regional protection available): ARIPO (BW, GH, GM, KE, LR, LS, MW, MZ, NA, RW, SD, SL, ST, SZ, TZ, UG, ZM, ZW), Eurasian (AM, AZ, BY, KG, KZ, RU, TJ, TM), European (AL, AT, BE, BG, CH, CY, CZ, DE, DK, EE, ES, FI, FR, GB, GR, HR, HU, IE, IS, IT, LT, LU, LV, MC, MK, MT, NL, NO, PL, PT, RO, RS, SE, SI, SK, SM, TR), OAPI (BF, BJ, CF, CG, CI, CM, GA, GN, GQ, GW, KM, ML, MR, NE, SN, TD, TG).

Published:

- with international search report (Art. 21(3))
- before the expiration of the time limit for amending the claims and to be republished in the event of receipt of amendments (Rule 48.2(h))

(88) Date of publication of the international search report:
21 January 2016

WO 2015/181636 A3

(54) Title: CONTROL OF THE MOVEMENT AND IMAGE ACQUISITION OF AN X-RAY SYSTEM FOR A 3D/4D CO-REGISTERED RENDERING OF A TARGET ANATOMY

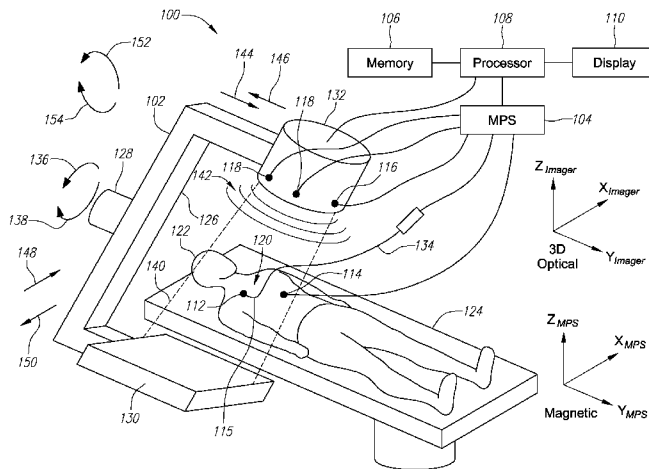


FIG. 1

(57) Abstract: A method and system for producing a model of an anatomical target area includes determining a position and/or an orientation of a medical device 134 according to an output of a medical device sensor, and controlling an imager 102 based on the position and/or orientation of the medical device.

INTERNATIONAL SEARCH REPORT

International application No
PCT/IB2015/001528

A. CLASSIFICATION OF SUBJECT MATTER
 INV. A61B6/12 A61B6/00 A61M25/00 A61B19/00
 ADD.

According to International Patent Classification (IPC) or to both national classification and IPC

B. FIELDS SEARCHED

Minimum documentation searched (classification system followed by classification symbols)
 A61B A61M

Documentation searched other than minimum documentation to the extent that such documents are included in the fields searched

Electronic data base consulted during the international search (name of data base and, where practicable, search terms used)

EPO-Internal, WPI Data

C. DOCUMENTS CONSIDERED TO BE RELEVANT

Category*	Citation of document, with indication, where appropriate, of the relevant passages	Relevant to claim No.
X	WO 2006/116748 A1 (BOSTON SCIENT SCIMED INC [US]; MCGEE DAVID L [US]) 2 November 2006 (2006-11-02)	1-3, 5-14,25
Y	abstract line 5 - page 5, line 10 line 1 - page 9, line 15 page 14, line 20 - page 15, line 8 page 16, line 17 - page 18, line 22 page 20, line 19 - page 21, line 20 page 22, line 1 - page 23, line 23 figures 1-3	4,15-24
Y	----- EP 1 901 232 A2 (MEDIGUIDE LTD [IL]) 19 March 2008 (2008-03-19) abstract paragraph [0034] - paragraph [0036] paragraph [0054] figures 2-3 ----- -/--	4,15-24

Further documents are listed in the continuation of Box C. See patent family annex.

* Special categories of cited documents :

<p>"A" document defining the general state of the art which is not considered to be of particular relevance</p> <p>"E" earlier application or patent but published on or after the international filing date</p> <p>"L" document which may throw doubts on priority claim(s) or which is cited to establish the publication date of another citation or other special reason (as specified)</p> <p>"O" document referring to an oral disclosure, use, exhibition or other means</p> <p>"P" document published prior to the international filing date but later than the priority date claimed</p>	<p>"T" later document published after the international filing date or priority date and not in conflict with the application but cited to understand the principle or theory underlying the invention</p> <p>"X" document of particular relevance; the claimed invention cannot be considered novel or cannot be considered to involve an inventive step when the document is taken alone</p> <p>"Y" document of particular relevance; the claimed invention cannot be considered to involve an inventive step when the document is combined with one or more other such documents, such combination being obvious to a person skilled in the art</p> <p>"&" document member of the same patent family</p>
---	---

Date of the actual completion of the international search	Date of mailing of the international search report
16 November 2015	23/11/2015

Name and mailing address of the ISA/ European Patent Office, P.B. 5818 Patentlaan 2 NL - 2280 HV Rijswijk Tel. (+31-70) 340-2040, Fax: (+31-70) 340-3016	Authorized officer Montes, Pau
--	---------------------------------------

INTERNATIONAL SEARCH REPORT

International application No

PCT/IB2015/001528

C(Continuation). DOCUMENTS CONSIDERED TO BE RELEVANT

Category*	Citation of document, with indication, where appropriate, of the relevant passages	Relevant to claim No.
A	EP 1 944 733 A2 (MEDIGUIDE LTD [IL]) 16 July 2008 (2008-07-16) the whole document -----	1-24
A	US 2008/152205 A1 (VAILLANT REGIS [FR] ET AL) 26 June 2008 (2008-06-26) the whole document -----	1-24

INTERNATIONAL SEARCH REPORT

Information on patent family members

International application No

PCT/IB2015/001528

Patent document cited in search report	Publication date	Patent family member(s)	Publication date
WO 2006116748	A1	02-11-2006	EP 1874190 A1
			US 2006247520 A1
			WO 2006116748 A1

EP 1901232	A2	19-03-2008	AT 504050 T
			CA 2613165 A1
			EP 1901232 A2
			JP 5347190 B2
			JP 2008100055 A
			US 2008091171 A1

EP 1944733	A2	16-07-2008	CA 2616291 A1
			EP 1944733 A2
			IL 188262 A
			JP 2008178686 A
			US 2008183071 A1

US 2008152205	A1	26-06-2008	NONE
