



US00D705335S

(12) **United States Design Patent**
Oikawa et al.

(10) **Patent No.:** **US D705,335 S**

(45) **Date of Patent:** **** May 20, 2014**

(54) **CAMERA LENS**

(75) Inventors: **Masafumi Oikawa**, Mitaka (JP);
Kazuharu Imafuji, Kawasaki (JP)

(73) Assignee: **Nikon Corporation**, Tokyo (JP)

(**) Term: **14 Years**

(21) Appl. No.: **29/418,654**

(22) Filed: **Apr. 19, 2012**

(51) **LOC (10) Cl.** **16-05**

(52) **U.S. Cl.**
USPC **D16/219; D16/134**

(58) **Field of Classification Search**
USPC D16/134, 136, 200, 202, 217, 218, 219;
359/815, 819, 826-828; 348/373, 374;
396/529-532

See application file for complete search history.

(56) **References Cited**

U.S. PATENT DOCUMENTS

4,448,509	A *	5/1984	Katsuma et al.	396/532
5,384,614	A *	1/1995	Hasuda	396/529
6,369,960	B2 *	4/2002	Azegami	359/819
D540,363	S *	4/2007	Tokiwa et al.	D16/219
D549,264	S *	8/2007	Tokiwa	D16/134
D559,884	S *	1/2008	Tokiwa	D16/219
D670,751	S *	11/2012	Koyama et al.	D16/219

* cited by examiner

Primary Examiner — Adir Aronovich

(74) *Attorney, Agent, or Firm* — Wolf, Greenfield & Sacks, P.C.; Randy J. Pritzker

(57) **CLAIM**

The ornamental design for a camera lens, as shown and described.

DESCRIPTION

FIG. 1 is a rear prospective view of a first embodiment of a camera lens showing our new design;
 FIG. 2 is a rear elevational view thereof;
 FIG. 3 is a top plan view thereof;
 FIG. 4 is a bottom plan view thereof;
 FIG. 5 is a right side elevational view thereof;
 FIG. 6 is a left side elevational view thereof;
 FIG. 7 is a rear prospective view of a second embodiment of a camera lens showing our new design;
 FIG. 8 is a rear elevational view thereof;
 FIG. 9 is a top plan view thereof;
 FIG. 10 is a bottom plan view thereof;
 FIG. 11 is a right side elevational view thereof;
 FIG. 12 is a left side elevational view thereof;
 FIG. 13 is a rear prospective view of a third embodiment of a camera lens showing our new design;
 FIG. 14 is a rear elevational view thereof;
 FIG. 15 is a top plan view thereof;
 FIG. 16 is a bottom plan view thereof;
 FIG. 17 is a right side elevational view thereof; and
 FIG. 18 is a left side elevational view thereof.

The features shown in broken lines in the drawings depict environmental subject matter only and form no part of the claimed design. The dot-dashed lines denote the boundary of the claim, and form no part of the claimed design.

1 Claim, 18 Drawing Sheets

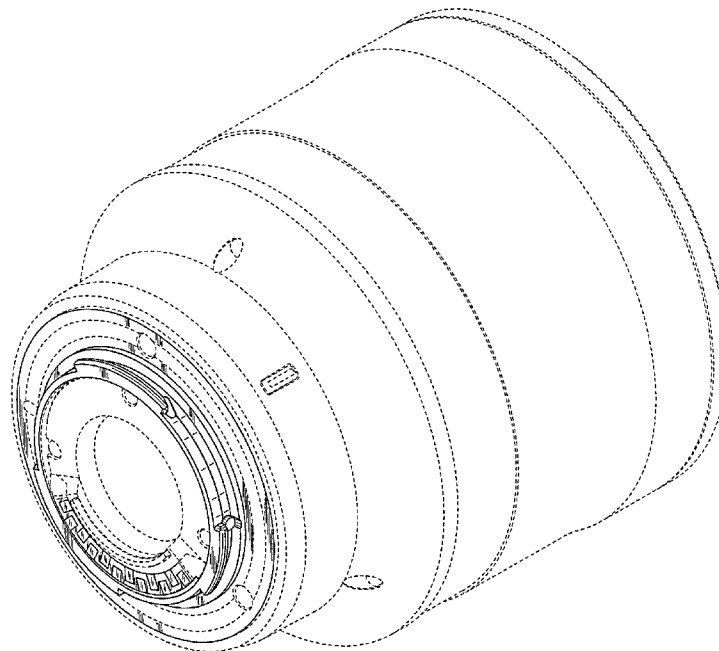


FIG. 1

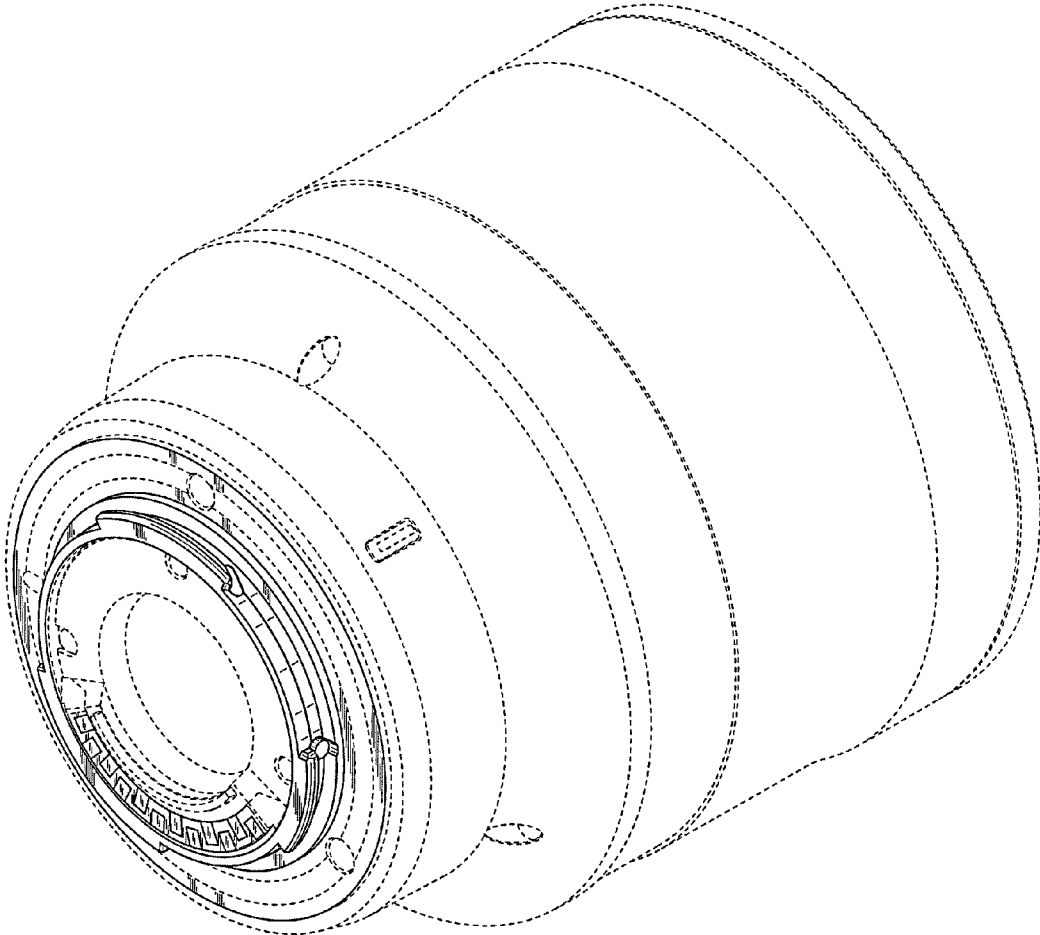


FIG. 2

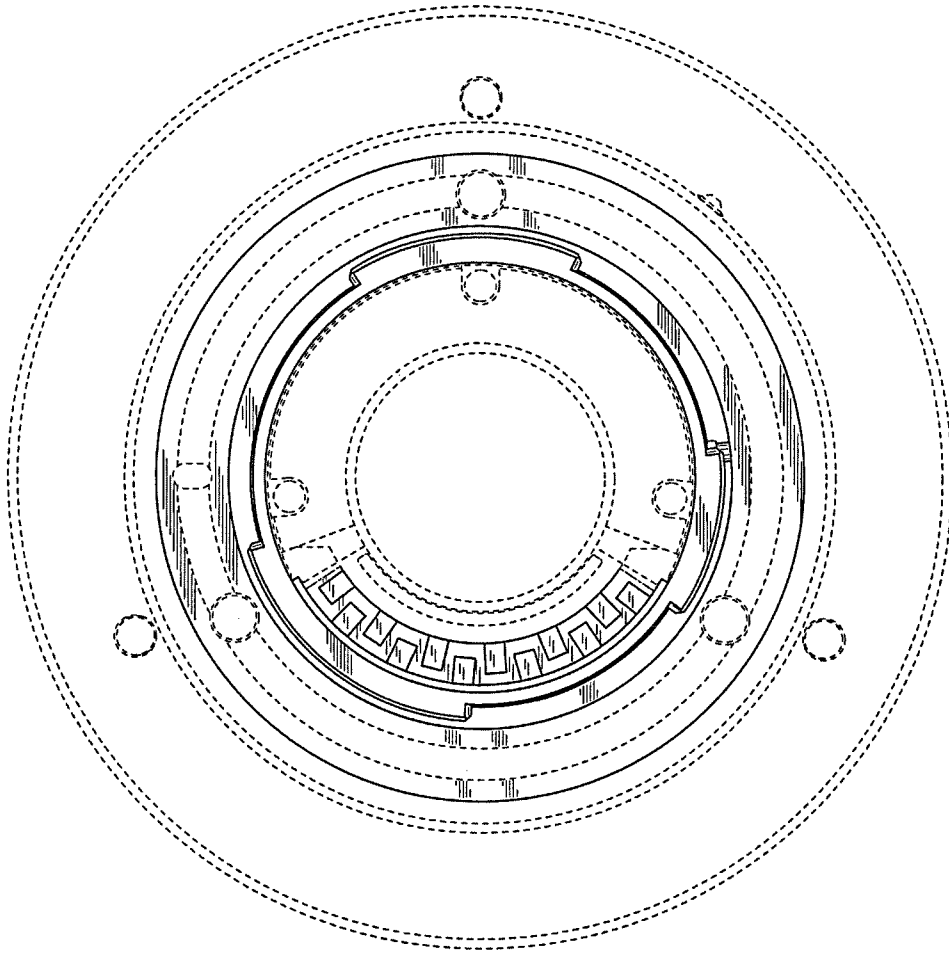


FIG. 3

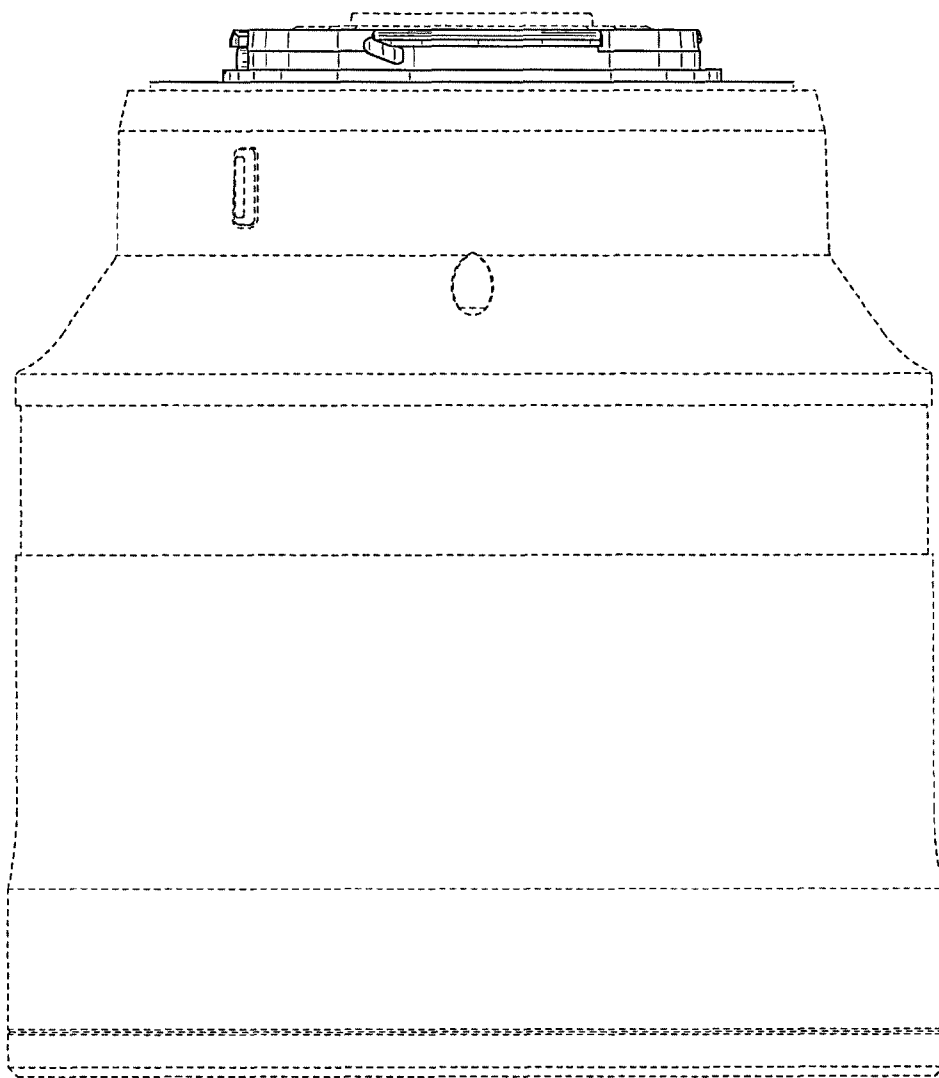


FIG. 4

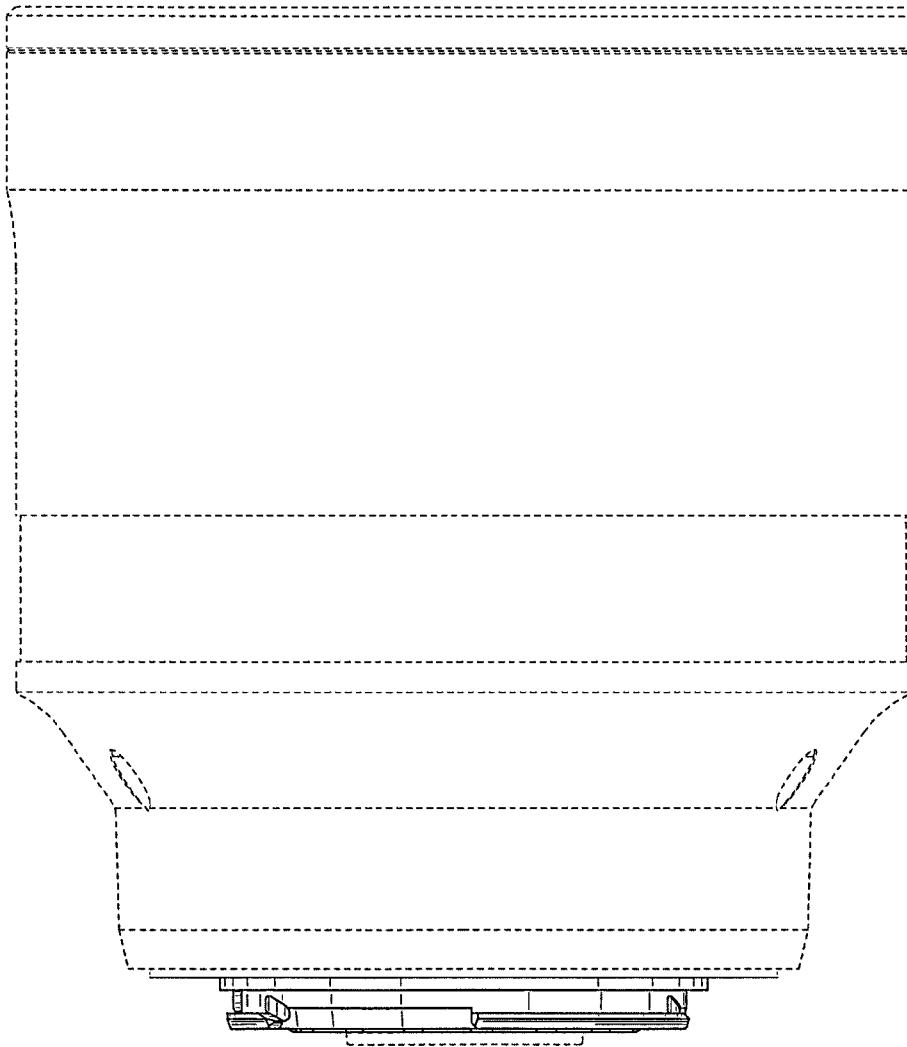


FIG. 5

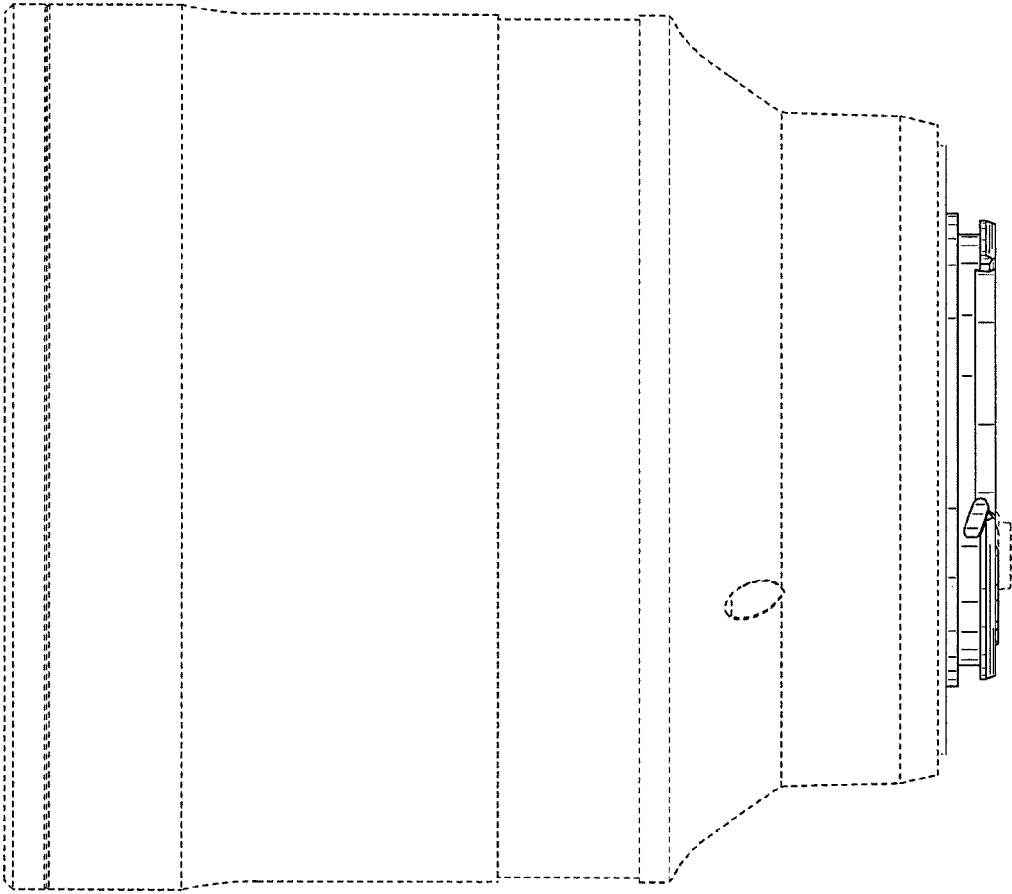


FIG. 6

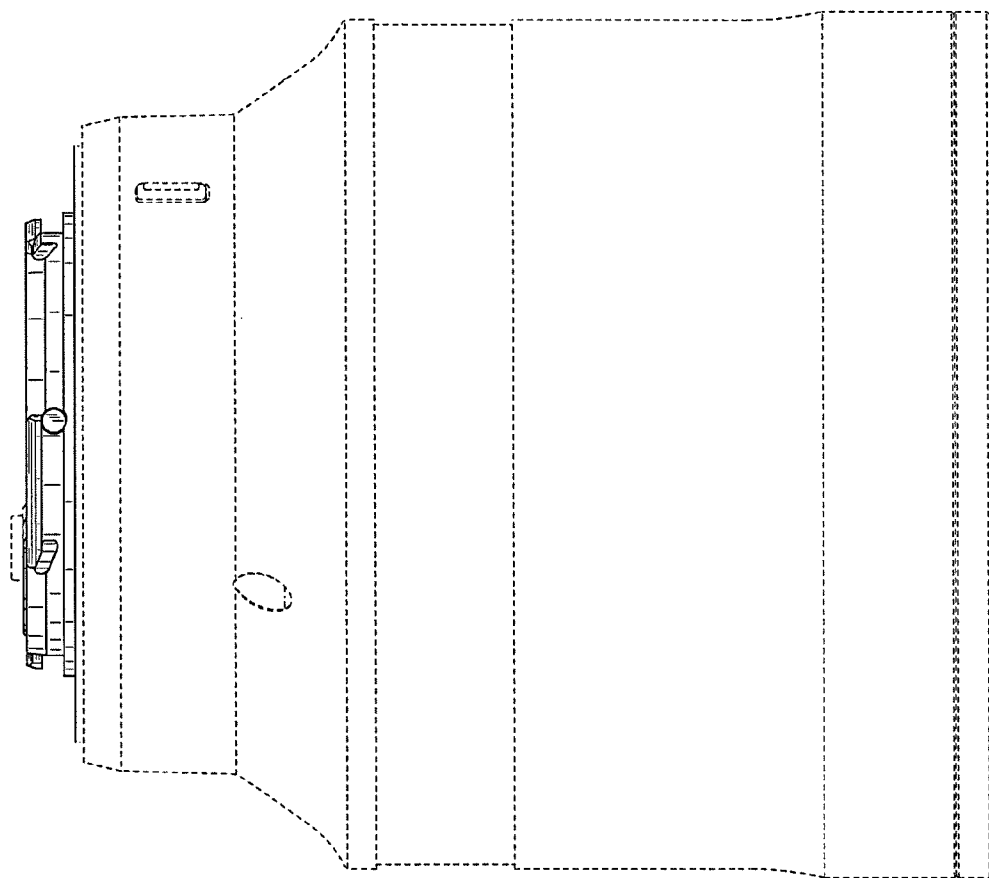


FIG. 7

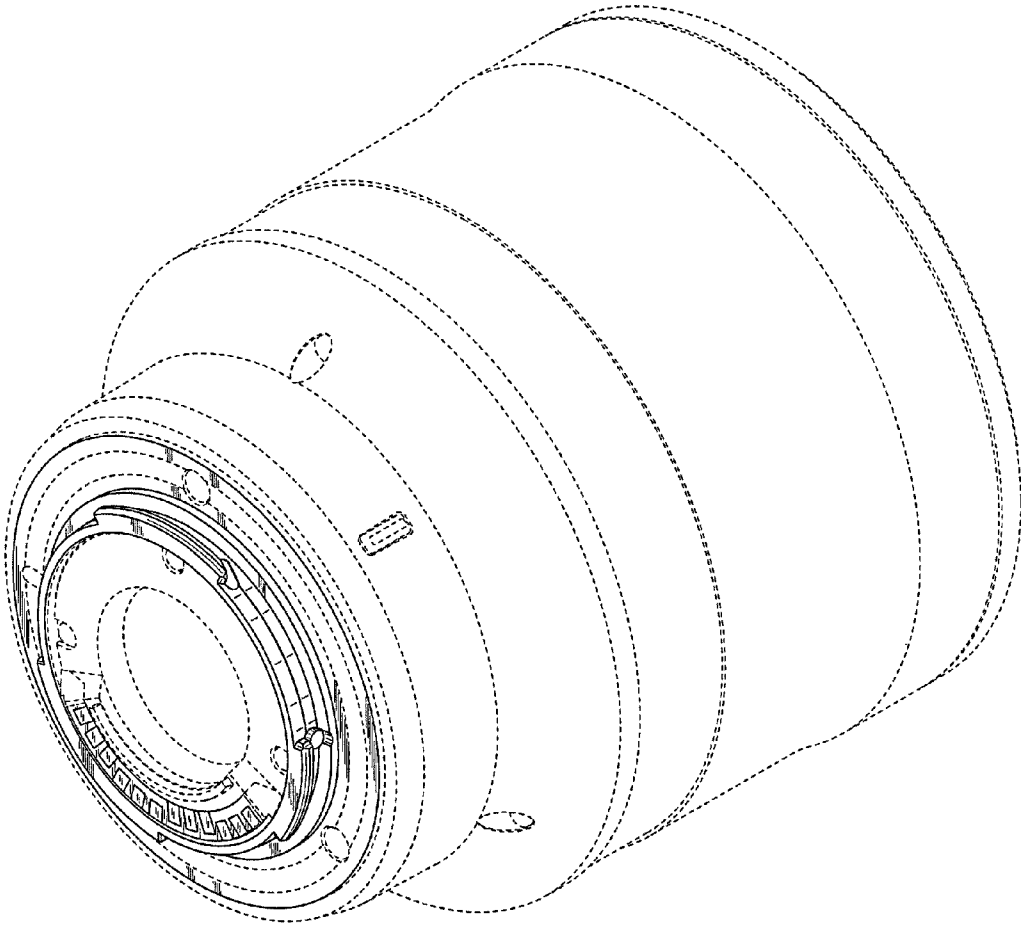


FIG. 8

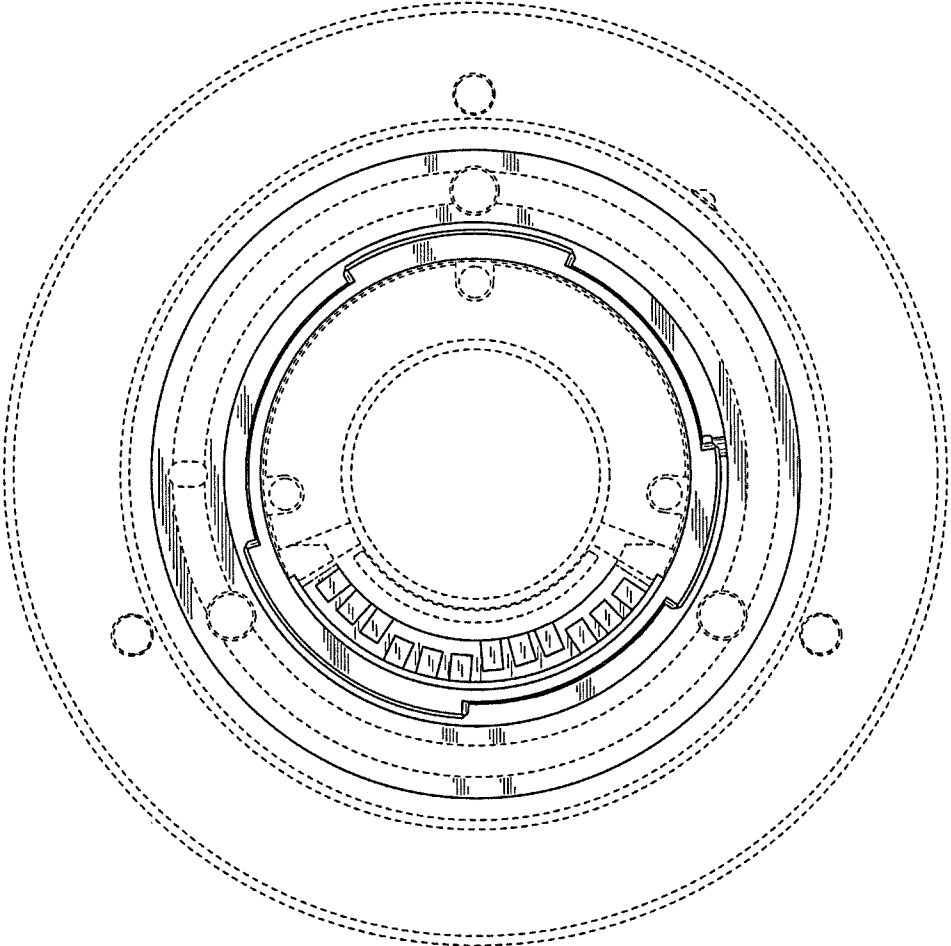


FIG. 9

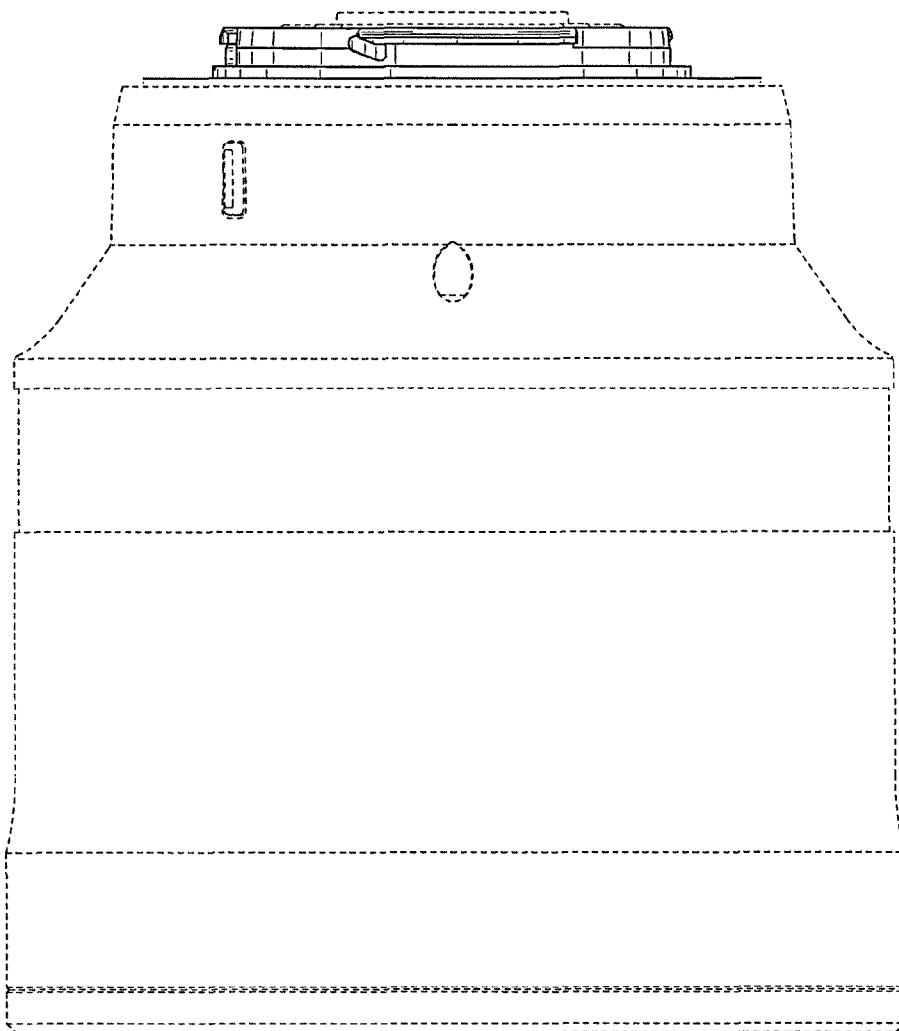


FIG. 10

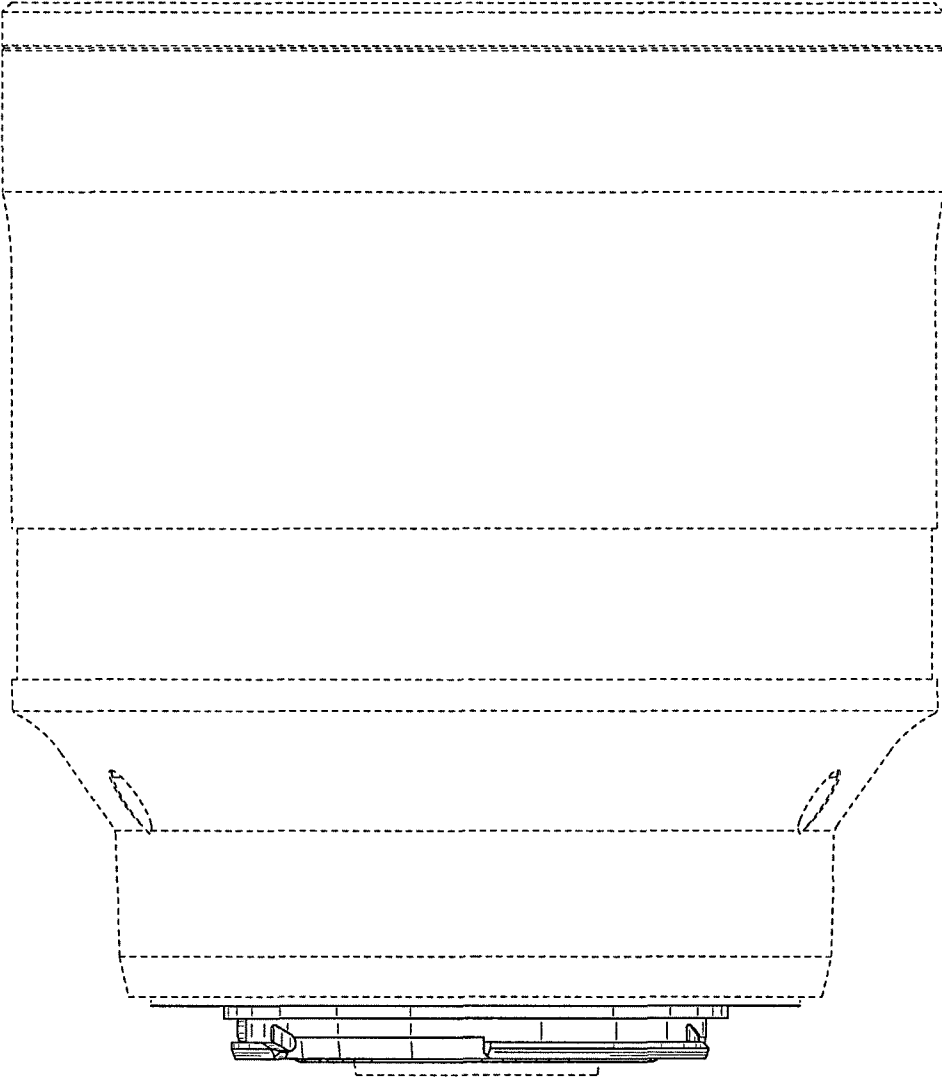


FIG. 11

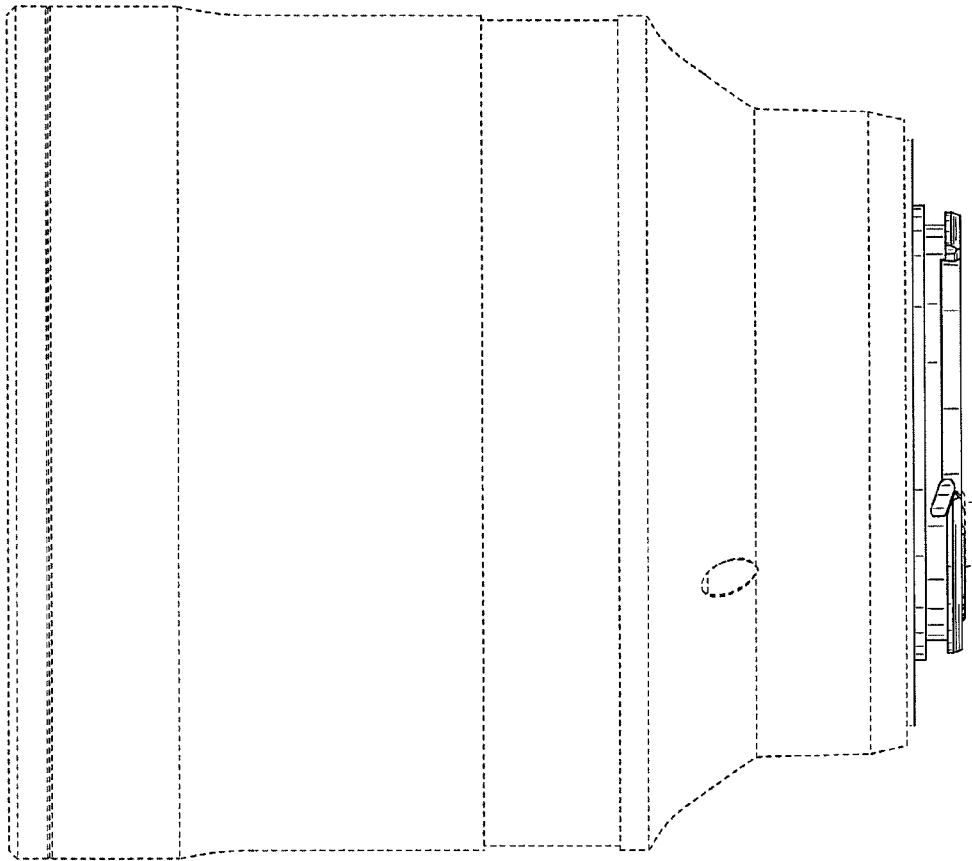


FIG. 12

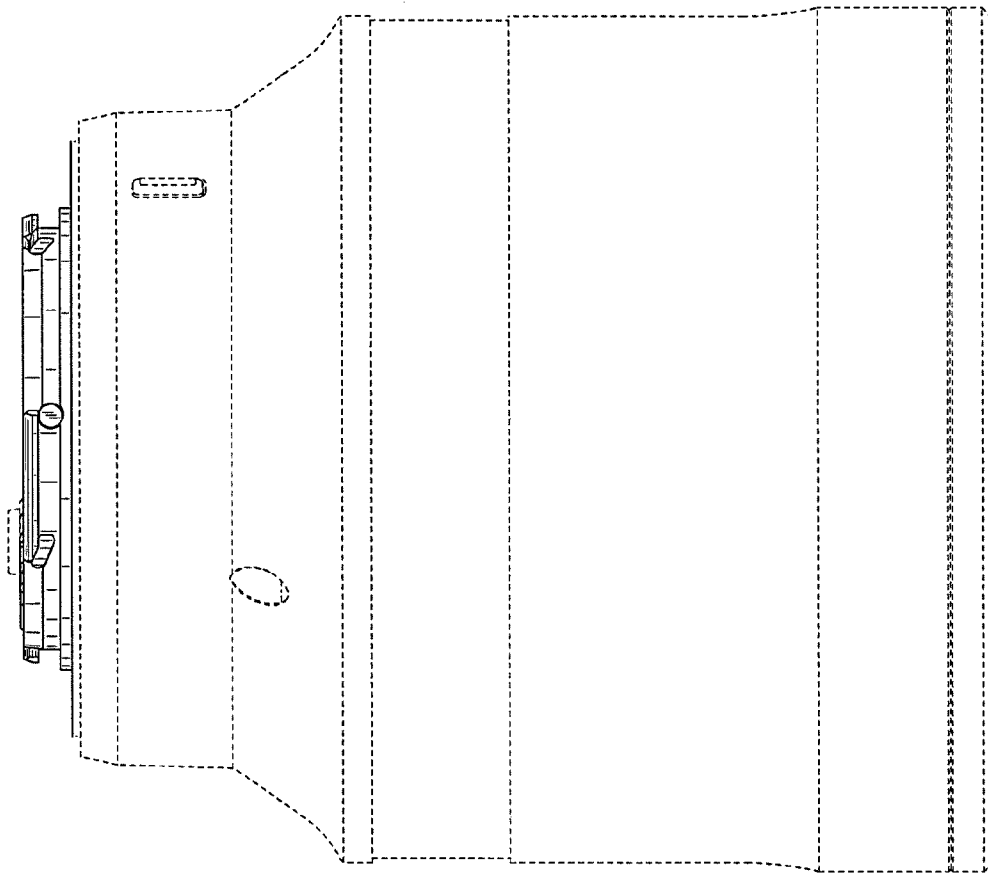


FIG. 13

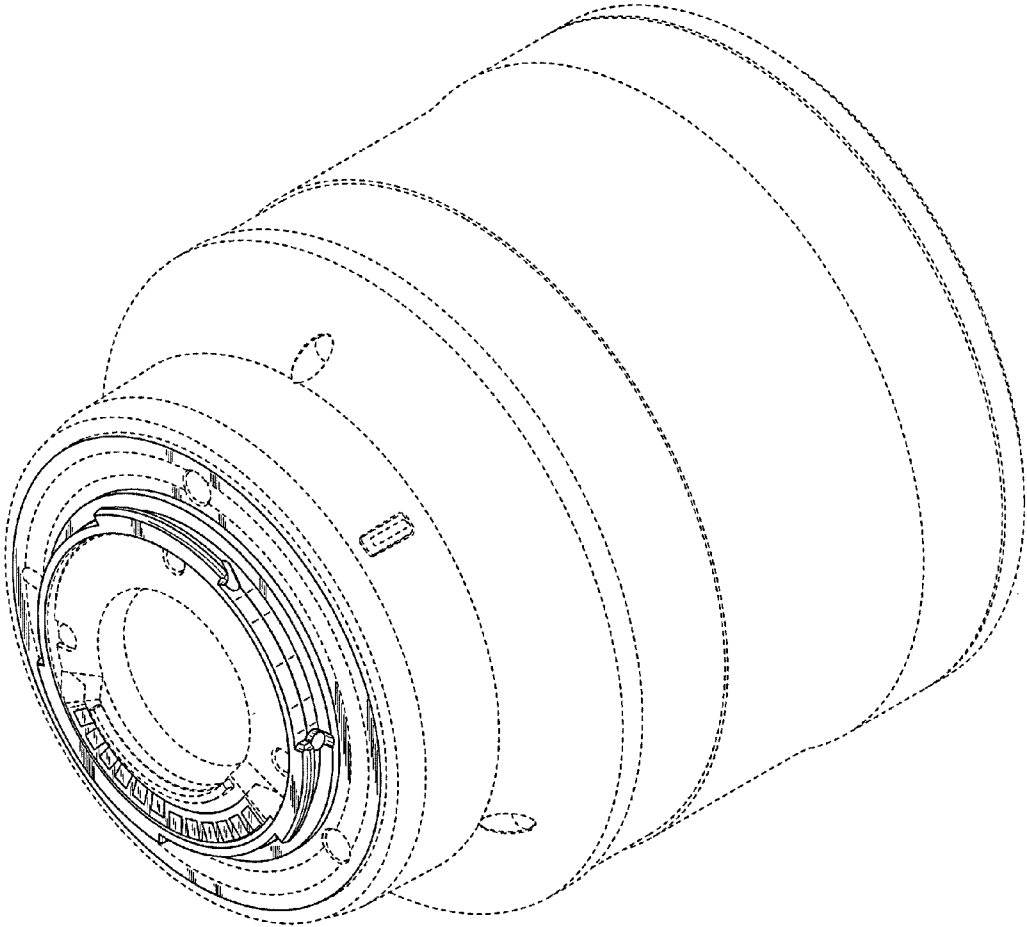


FIG. 14

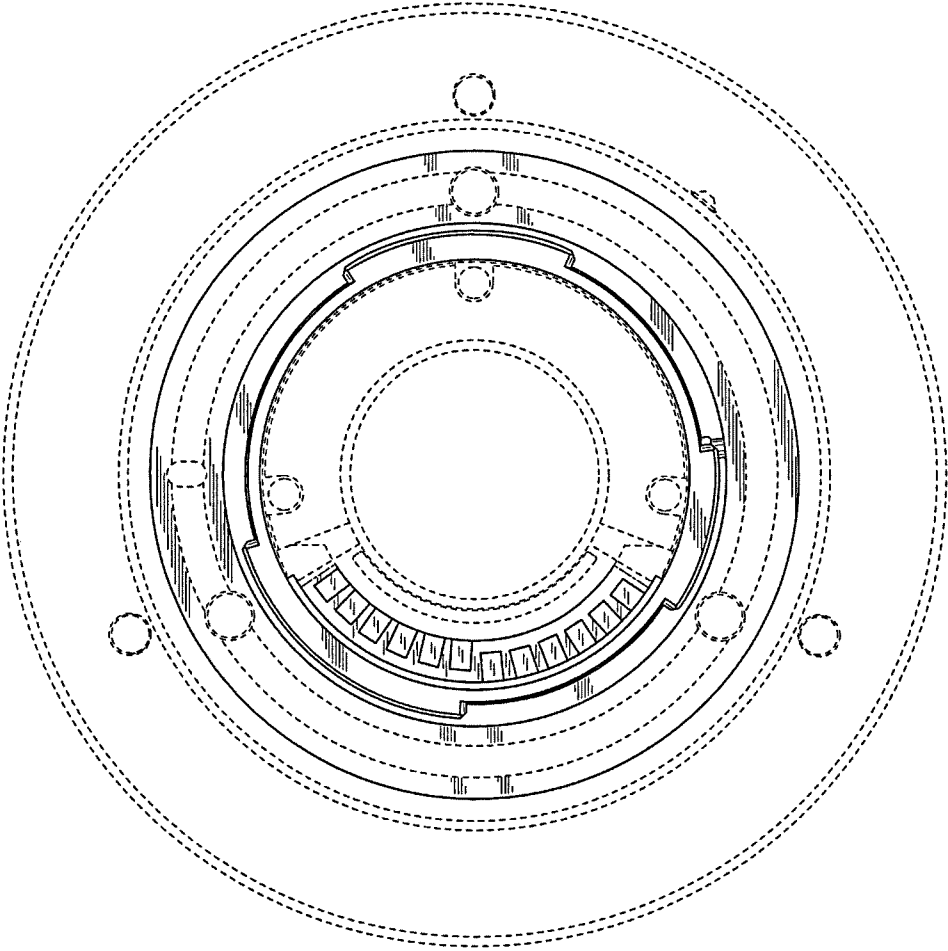


FIG. 15

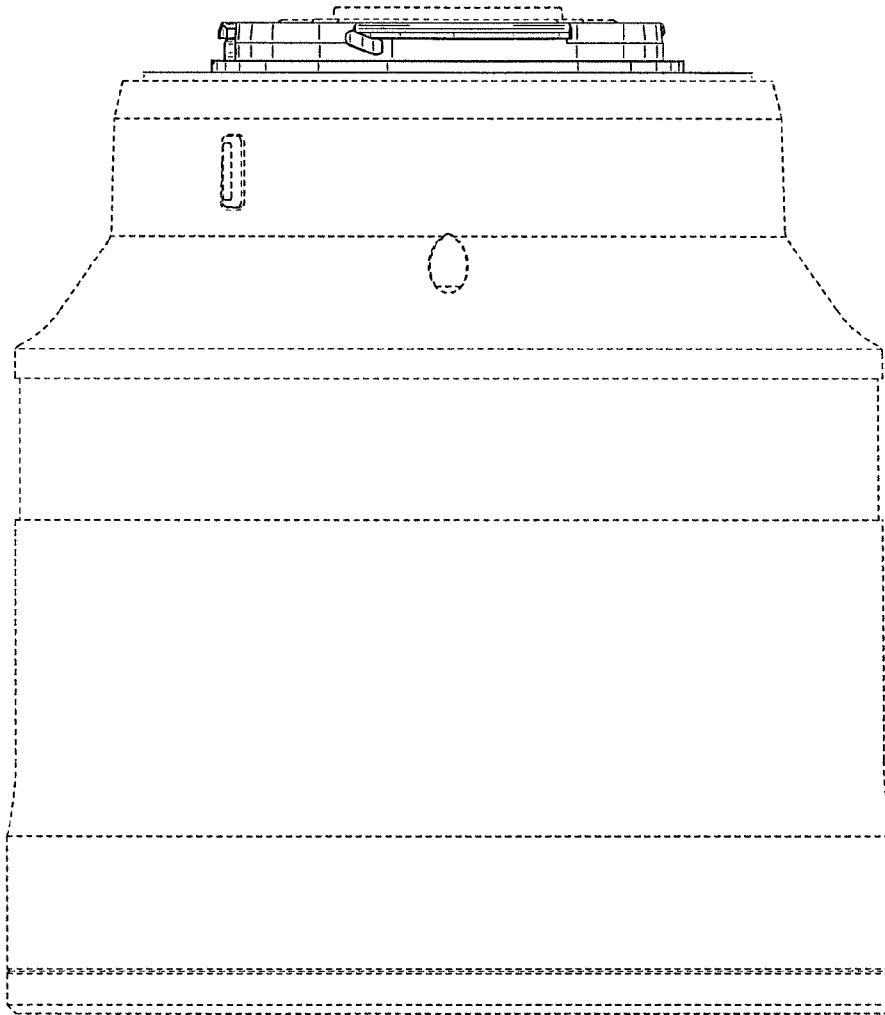


FIG. 16

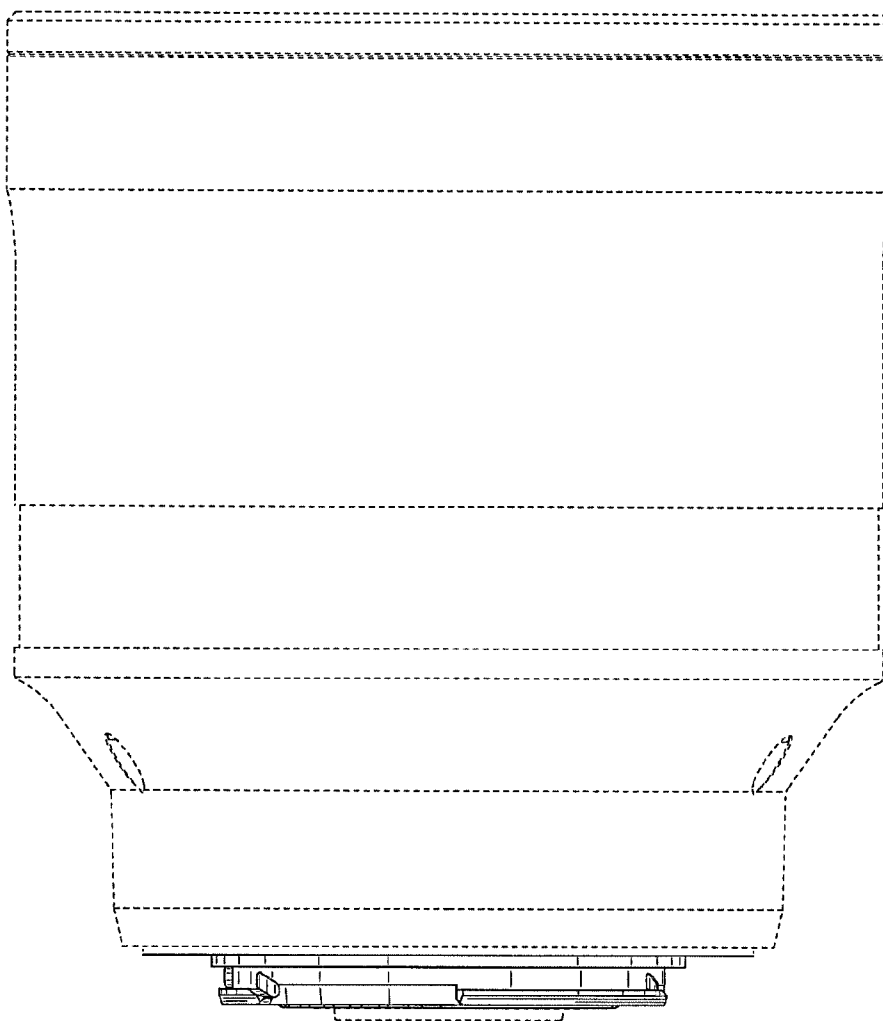


FIG. 17

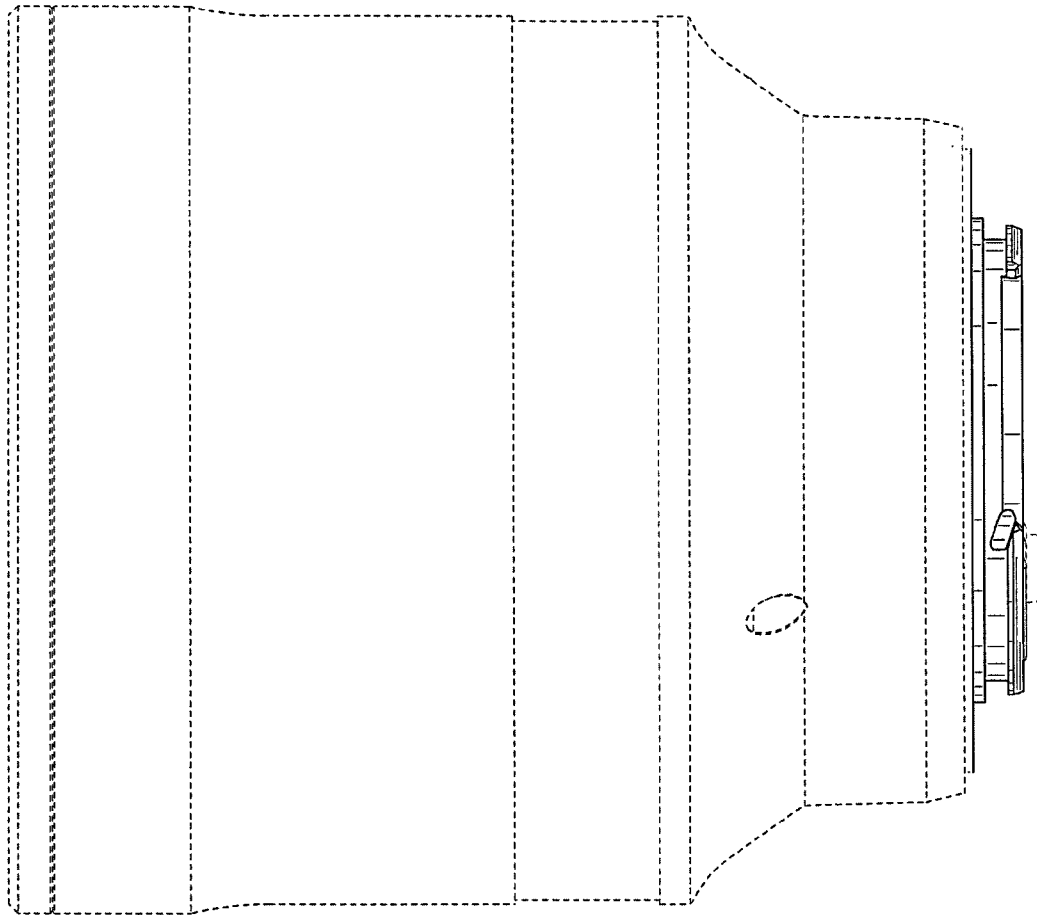


FIG. 18

