

(19) World Intellectual Property Organization  
International Bureau



(43) International Publication Date  
27 March 2008 (27.03.2008)

PCT

(10) International Publication Number  
**WO 2008/036857 A3**

- (51) **International Patent Classification:**  
*H04Q 7/24* (2006.01)
  - (21) **International Application Number:**  
PCT/US2007/079095
  - (22) **International Filing Date:**  
20 September 2007 (20.09.2007)
  - (25) **Filing Language:** English
  - (26) **Publication Language:** English
  - (30) **Priority Data:**  
11/524,724 20 September 2006 (20.09.2006) US
  - (71) **Applicant (for all designated States except US):** CISCO TECHNOLOGY, INC. [US/US]; 170 West Tasman Drive, San Jose, CA 95134-1706 (US).
  - (72) **Inventors; and**
  - (75) **Inventors/Applicants (for US only):** SCHESEL, Larry [US/US]; 402 Midenhall Way, Cary, NC 27513 (US). HAGUE, Sam [US/US]; 5409 Windy Gap Court, Raleigh, NC 27617 (US). BOOTH, Paul, Norwood [US/US]; 420 Castro Court, Campbell, CA 95008 (US). WALKER, Jennifer, Kay [US/US]; 480 Henley Road, Jackson, WY (US).
  - (74) **Agents:** COWGER, Graciela, G. et al; Stolowitz Ford Cowger LLP, 621 SW Morrison Street, Suite 600, Portland, OR 97205 (US).
  - (81) **Designated States (unless otherwise indicated, for every kind of national protection available):** AE, AG, AL, AM, AT, AU, AZ, BA, BB, BG, BH, BR, BW, BY, BZ, CA, CH, CN, CO, CR, CU, CZ, DE, DK, DM, DO, DZ, EC, EE, EG, ES, FI, GB, GD, GE, GH, GM, GT, HN, HR, HU, ID, IL, IN, IS, JP, KE, KG, KM, KN, KP, KR, KZ, LA, LC, LK, LR, LS, LT, LU, LY, MA, MD, ME, MG, MK, MN, MW, MX, MY, MZ, NA, NG, NI, NO, NZ, OM, PG, PH, PL, PT, RO, RS, RU, SC, SD, SE, SG, SK, SL, SM, SV, SY, TJ, TM, TN, TR, TT, TZ, UA, UG, US, UZ, VC, VN, ZA, ZM, ZW
  - (84) **Designated States (unless otherwise indicated, for every kind of regional protection available):** ARIPO (BW, GH, GM, KE, LS, MW, MZ, NA, SD, SL, SZ, TZ, UG, ZM, ZW), Eurasian (AM, AZ, BY, KG, KZ, MD, RU, TJ, TM), European (AT, BE, BG, CH, CY, CZ, DE, DK, EE, ES, FI, FR, GB, GR, HU, IE, IS, IT, LT, LU, LV, MC, MT, NL, PL, PT, RO, SE, SI, SK, TR), OAPI (BF, BJ, CF, CG, CI, CM, GA, GN, GQ, GW, ML, MR, NE, SN, TD, TG).
- Published:**  
— with international search report
- (88) **Date of publication of the international search report:**  
9 October 2008

(54) **Title:** METHOD FOR ESTABLISHING VOICE COMMUNICATIONS USING A MOBILE HANDSET

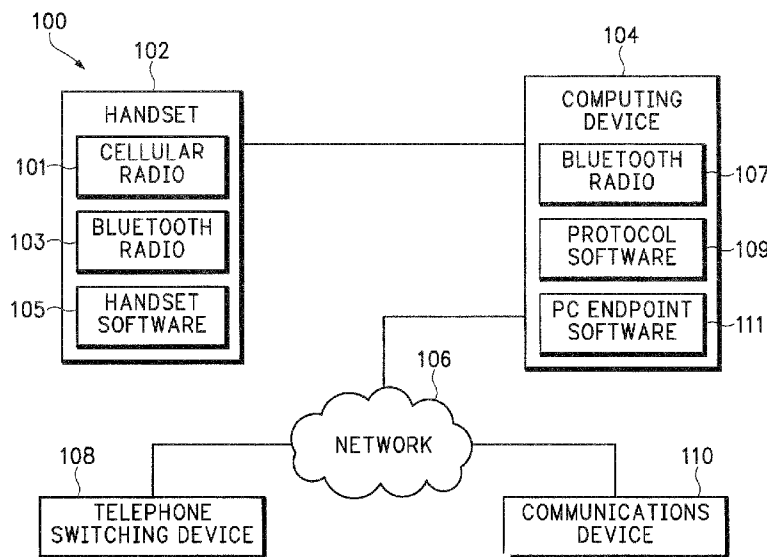


FIG. 1A

(57) **Abstract:** A mobile handset transmits a radio frequency (RF) signal. The mobile handset determines when it is in close proximity to a Voice over Internet Protocol (VoIP) capable device. If the mobile handset is in close proximity to a VoIP capable device, then the RF signal to the base station is disabled and a communications link is established with the VoIP capable device such that a call can be made by the mobile handset and routed as VoIP packets through the VoIP capable device.

WO 2008/036857 A3

# INTERNATIONAL SEARCH REPORT

International application No.

PCT/US07/79095

**A. CLASSIFICATION OF SUBJECT MATTER**

IPC **H04Q** 7/24( 2006.0 1)

USPC. 370/338;455/442,4 1.2,456 1

According to International Patent Classification (IPC) or to both national classification and IPC

**B. FIELDS SEARCHED**

Minimum documentation searched (classification system followed by classification symbols)

U.S. : 370/338;455/442,4 1.2,456. 1

Documentation searched other than minimum documentation to the extent that such documents are included in the fields searched

Electronic data base consulted during the international search (name of data base and, where practicable, search terms used)

**C. DOCUMENTS CONSIDERED TO BE RELEVANT**

Category *	Citation of document, with indication, where appropriate, of the relevant passages	Relevant to claim No.
<b>X/Y</b>	US 200601 2 1916 A1 (ABORN ET AL.) 8 JUNE 2006 (08.06.2006), PARAGRAPHS 0 1 18-0 119, 0146	1-3,5-10,12-17,19-22/4, 11,18
<b>Y</b>	US 20040203788 A1 (FORS ET AL.) 14 OCTOBER 2004 (14. 10.2004), PARAGRAPH 0027	4,1 1,18

Further documents are listed in the continuation of Box C.

See patent family annex.

* Special categories of cited documents	"T" later document published after the international filing date or priority date and not in conflict with the application but cited to understand the principle or theory underlying the invention
"A" document defining the general state of the art which is not considered to be of particular relevance	"X" document of particular relevance, the claimed invention cannot be considered novel or cannot be considered to involve an inventive step when the document is taken alone
"E" earlier application or patent published on or after the international filing date	"Y" document of particular relevance, the claimed invention cannot be considered to involve an inventive step when the document is combined with one or more other such documents, such combination being obvious to a person skilled in the art
"L" document which may throw doubts on priority claim(s) or which is cited to establish the publication date of another citation or other special reason (as specified)	"&" document member of the same patent family
"O" document referring to an oral disclosure, use, exhibition or other means	
"P" document published prior to the international filing date but later than the priority date claimed	

Date of the actual completion of the international search

26 May 2008 (26.05.2008)

Date of mailing of the international search report

23 JUL 2008

Name and mailing address of the ISA/US

Mail Stop PCT, Ann- ISA/US  
Commissioner for Patents  
P.O. Box 1450  
Alexandria, Virginia 223 13-1450

Facsimile No. (571) 273-320 1

Authorized officer

/Sharad Rampuria/

Telephone No. 571 -272-7870