



(51) International Patent Classification:

A45C 3/02 (2006.01) A45C 13/02 (2006.01)
A45C 7/00 (2006.01) A45F 5/00 (2006.01)

(21) International Application Number:

PCT/IB2013/050822

(22) International Filing Date:

31 January 2013 (31.01.2013)

(25) Filing Language:

Italian

(26) Publication Language:

English

(30) Priority Data:

TO2012A000123 13 February 2012 (13.02.2012) IT

(71) Applicant: NUNZIA PALMIERI S.A.S. [IT/IT]; Via Cigna 140/B, I-10155 Torino (IT).

(72) Inventor: PALMIERI, Nunzia; Piazza Ghirlandaio 45/6/F, I-10155 Torino (IT).

(74) Agents: RONDANO, Davide et al.; c/o JACOBACCI & PARTNERS S.p.A., Corso Emilia 8, I-10152 Torino (IT).

(81) Designated States (unless otherwise indicated, for every kind of national protection available): AE, AG, AL, AM, AO, AT, AU, AZ, BA, BB, BG, BH, BN, BR, BW, BY, BZ, CA, CH, CL, CN, CO, CR, CU, CZ, DE, DK, DM, DO, DZ, EC, EE, EG, ES, FI, GB, GD, GE, GH, GM, GT, HN, HR, HU, ID, IL, IN, IS, JP, KE, KG, KM, KN, KP,

KR, KZ, LA, LC, LK, LR, LS, LT, LU, LY, MA, MD, ME, MG, MK, MN, MW, MX, MY, MZ, NA, NG, NI, NO, NZ, OM, PA, PE, PG, PH, PL, PT, QA, RO, RS, RU, RW, SC, SD, SE, SG, SK, SL, SM, ST, SV, SY, TH, TJ, TM, TN, TR, TT, TZ, UA, UG, US, UZ, VC, VN, ZA, ZM, ZW.

(84) Designated States (unless otherwise indicated, for every kind of regional protection available): ARIPO (BW, GH, GM, KE, LR, LS, MW, MZ, NA, RW, SD, SL, SZ, TZ, UG, ZM, ZW), Eurasian (AM, AZ, BY, KG, KZ, RU, TJ, TM), European (AL, AT, BE, BG, CH, CY, CZ, DE, DK, EE, ES, FI, FR, GB, GR, HR, HU, IE, IS, IT, LT, LU, LV, MC, MK, MT, NL, NO, PL, PT, RO, RS, SE, SI, SK, SM, TR), OAPI (BF, BJ, CF, CG, CI, CM, GA, GN, GQ, GW, ML, MR, NE, SN, TD, TG).

Declarations under Rule 4.17:

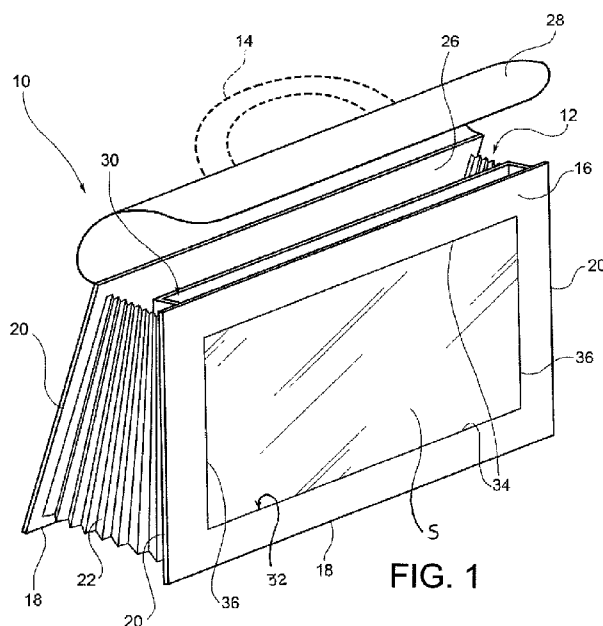
- as to applicant's entitlement to apply for and be granted a patent (Rule 4.17(ii))
- as to the applicant's entitlement to claim the priority of the earlier application (Rule 4.17(iii))
- of inventorship (Rule 4.17(iv))

Published:

- with international search report (Art. 21(3))

[Continued on next page]

(54) Title: HANDBAG OR TRAVELLING BAG PROVIDED WITH A POCKET FOR CONTAINING A TABLET, A SMARTPHONE, A PALMTOP COMPUTER OR OTHER ELECTRONIC DEVICE EQUIPPED WITH AN EXTERNALLY VIEWABLE SCREEN AND WITH A WINDOW TO ALLOW THE USER TO SEE THE SCREEN OF THIS DEVICE AND INTERACT WITH IT



(57) Abstract: The bag (10) comprises a body (12) which encloses an inner space intended to contain objects and at least one handle (14) connected to the top of the body (12) to allow the bag to be taken and carried. The body (12) comprises two opposed side walls (16) which are arranged inclined with respect to each other so as to converge towards the top, two opposed connecting walls (22) which connect the two side walls (16) to each other, and a bottom wall (24) which closes the body (12) at the bottom, and is configured so as to permit the bag (10) not to fall on one side when it is resting on a flat supporting surface, with the bottom wall (24) arranged in contact with this surface, or in any event parallel to it. At least one of the two side walls (16) has a window (32) having dimensions such as to permit viewing and use of the screen (S) of a tablet, a smartphone, a palmtop computer or other electronic device equipped with an externally viewable screen, and is furthermore provided with an inner pocket (30) configured to contain the device in such a way that the screen (S) is centred with the window (32) and that therefore the user can see the screen (S) from the outside and interact with it without having to remove the device from the pocket (30).

- *before the expiration of the time limit for amending the claims and to be republished in the event of receipt of amendments (Rule 48.2(h))*

Handbag or travelling bag provided with a pocket for containing a tablet, a smartphone, a palmtop computer or other electronic device equipped with an externally viewable screen and with a window to allow the user to see the screen of this device and interact with it

5 The present invention concerns in general a handbag or travelling bag, for a woman or for a man, intended to contain objects for personal use, such as for example house and/or car keys, wallet and/or document holder, writing pens etc.

Especially in the case of bags intended for use by women, they have not only the function
10 of containing objects for personal use, but also an aesthetic function, and contribute, together with clothing, hairstyle etc., to defining the person's look.

An object of the present invention is to permit expanding the ways of using bags.

15 This and other objects are fully achieved according to the present invention thanks to a bag having the characteristics indicated in the attached independent claim 1.

Advantageous embodiments of the invention are defined by the dependent claims, the content of which is to be understood as an integral and integrating part of the description
20 which follows.

In summary, the invention is based on the idea of creating a bag comprising a body, which encloses an inner space intended to contain personal objects, and at least one handle , permanently or releasably connected to the top of the body to allow the bag to be taken and
25 carried, wherein the body comprises two opposed side walls, which are arranged inclined with respect to each other so as to converge towards the top, two opposed connecting walls which connect the two side walls to each other, and a bottom wall which closes the body at the bottom, wherein the body is configured so as to permit the bag not to fall on one side when it is resting on a flat supporting surface, with the bottom wall arranged in contact
30 with this surface, or in any event parallel thereto, and wherein at least one of the two side walls has a window having dimensions such as to permit viewing and use of the screen of a tablet, a smartphone, a palmtop computer or other electronic device equipped with an

externally viewable screen, in particular a touch-screen, and is furthermore provided with an inner pocket configured to contain a device like that in such a way that the screen is centred with the window and that therefore the user can see the screen from the outside and interact with it without having to remove the device from the pocket.

5

Thanks to the presence of the window and of the inner pocket, the users can keep their tablet, smartphone, palmtop computer or other electronic device equipped with an externally viewable screen in the bag, and at the same time see the screen and interact with it.

10

Furthermore, thanks to the possibility of resting the bag stably on a flat supporting surface, such as in particular the top of a table or of a desk, with the two side walls arranged inclined with respect to the vertical, the side wall provided with a window functions as a support for the electronic device contained in the respective inner pocket, which permits the user to observe the information (images, text, videos etc.) displayed on the screen of the electronic device, and to interact with the screen itself, while for example seated comfortably at the table or at the desk and being able to orient the screen with the optimal inclination.

15

Preferably, in order to make it possible to protect the screen of the electronic device when the latter is not being used, the bag is provided with a protective insert which is insertable into the inner pocket and is dimensioned so as to occlude the window completely. Such a protective insert is preferably made of the same material as the bag, in particular of leather.

20

Further characteristics and advantages of the present invention will become clear from the following detailed description, given purely by way of non-limiting example with reference to the attached drawings, in which:

25

Figure 1 is a perspective view of a first embodiment of a bag according to the present invention;

30

Figure 2 is a view from above of the body of the bag shown in Figure 1;

Figures 3 and 4 are perspective views of a second embodiment of a bag according to the present invention, respectively in the closed condition, with the protective insert

housed in the inner pocket of the bag, and in the open condition, with the insert partially removed from the inner pocket of the bag; and

Figures 5 and 6 are perspective views of two further embodiments of a bag according to the present invention.

5

With reference to the figures, a travelling bag or handbag, for a woman or for a man, according to the present invention is generally indicated 10 and comprises, in a per-se-known manner, a body 12 enclosing an inner space intended to contain personal objects, and a handle 14 permanently or releasably connected to the top of the body 12 to allow the bag to be taken and carried. In the embodiment shown in Figures 1 and 2, the handle 14 is configured as a single handle suitable for allowing the bag to be carried by hand, but it could also have a configuration different from the one shown. For example, a pair of handles could be provided for allowing the bag to be carried not only by hand, but also on the arm. In the other embodiments illustrated (Figures 3 to 6), however, the handle 14 is configured as a shoulder-strap.

10
15

The body 12 comprises two opposed side walls 16 arranged inclined with respect to each other so as to converge towards the top, two connecting walls 22 which connect the two side walls 16 to each other, and a bottom wall 24 (visible only in Figure 2), which closes the body 12 at the bottom. The body 12 is configured so as to permit the bag not to fall on one side, but to remain "standing up", when it is resting on a flat supporting surface, with the bottom wall 24 arranged in contact with this surface, or in any event parallel thereto.

20

Preferably, the body 12 has a book-shaped general configuration, wherein the two opposed side walls 16 are made as substantially flat walls so as to recall the two opposed flat faces of the cover of a paper book. The two side walls 16 each have a substantially rectilinear lower edge 18 and two opposed side edges 20, which are also substantially rectilinear. The two side walls 16 can have a rectangular shape (as in the embodiments illustrated in Figures 1, 2, 5 and 6), in which case the two side edges 20 extend parallel to each other, or even a trapezoidal shape (as in the embodiments shown in Figures 3 and 4), in which case the two side edges 20 are inclined with respect to each other, in particular so as to converge towards the top. In the embodiments shown in Figures 1 to 4 the side walls 16 are

25

30

elongated in the direction of the lower edges 18, in that the length of the lower edges 18 is greater than the length of the side edges 20, while in the embodiments shown in Figures 5 and 6 the side walls 16 are elongated in the direction of the side edges 20, in that the length of the side edges 20 is greater than the length of the lower edges 18. In the illustrated
5 embodiments, the lower edges 18 of the two side walls 16 project downwards from the bottom wall 24 of the body 12, so that when the bag 10 is resting on a supporting surface, it is in contact with this surface only at the lower edges 18. Alternatively, the lower edges of the two side walls are flush with the bottom wall of the bag, in which case there will preferably be provided, on the outer face of the bottom wall, a series of metal supporting
10 feet.

The two connecting walls 22 have an appearance which recalls the book block of a paper book. In this connection, the two connecting walls 22 are made as pleated walls (Figures 1, 2, 5 and 6) or as ribbed walls (Figures 3 and 4), so that the edges of the folds or of the ribs
15 reproduce, or in any event recall, the appearance of the pages of a paper book. Making the connecting walls 22 like pleated or ribbed walls further permits the user to bring the two side walls 16 closer to each other or to move them apart, in concertina fashion.

The inner space of the body 12 is accessible through an upper opening 26 which is closed
20 by a closing flap or tie 28, which extends from one of the two side walls 16 and is releasably securable to the other side wall 16, for example by means of a mechanical or magnetic coupling of per-se-known type (not shown).

As previously mentioned, the body 12 is configured so as to be capable of remaining stably
25 resting on a supporting surface with the lower edges 18 of the two side walls 16 (or with the bottom wall 24, possibly equipped with metal supporting feet) in contact with this surface. The body 12 is thus capable of remaining stably in the position shown in Figure 1 and in Figures 3 to 6, in which the two side walls 16 are arranged inclined with respect to the vertical so as to converge towards the top.

30 According to the invention, at least one of the two side walls 16 has a window 32 having dimensions such as to permit viewing and use of the screen (indicated S in Figures 1, 5 and

6) of a tablet, a smartphone, a palmtop computer or other electronic device equipped with an externally viewable screen, and is furthermore provided with an inner pocket 30 configured to contain a device like that in such a way that the screen S of the device is centred with the window 32 and that therefore the user can see the screen S from the outside and interact with it without having to remove the device from the bag. The window 5 32 is preferably of rectangular shape, with two parallel horizontal sides 34 and two vertical sides 36. The window 32 is preferably elongated in the same direction as the side walls 16 and therefore in the embodiments shown in Figures 1 to 5, in which the side walls 16 are elongated in a horizontal direction, the window 32 also will be elongated in a horizontal 10 direction and the horizontal sides 34 will therefore be of greater length than that of the vertical sides 36. Preferably, at least one of the two vertical sides 36 has one or more openings to allow the passage of cables or accessories (for example USB pens, internet dongles etc.) to be connected to the electronic device contained in the pocket 30. Thanks to the presence of the window 32, the screen S of the electronic device housed inside the 15 pocket 30 remains visible and accessible from the outside and therefore the user can interact with it without having to remove the device from the bag. Furthermore, thanks to the fact that the bag can be kept stably resting on a supporting surface, such as in particular the top of a table or of a desk, with the two side walls 16 inclined with respect to the vertical, the side wall 16 provided with a window 32 functions as a support for the 20 electronic device, thus permitting the user to observe the information (images, text, videos etc.) displayed on the screen S and to interact with the screen itself, while for example seated comfortably at the aforementioned table or at the aforementioned desk.

The window 32 is preferably open, but could also be closed by a film of transparent plastic 25 material, sufficiently thin and flexible as to allow the user to interact with the screen S of the electronic device housed in the pocket 30. In the case of an open window, the bag 10 is preferably provided with a protective insert 38 (as shown in Figures 3 and 4) which can be inserted into the pocket 30 so as to close the window 32 and in this way protect the electronic device housed in the pocket 30. The protective insert 38 is dimensioned so as to 30 be capable of occluding the window 32 completely. The protective insert 38 is preferably made of the same material as the bag 10, in particular of leather. Furthermore, the protective insert 38 can be of a different colour from that of the bag. In this connection, the

two faces of the protective insert 38 can be of different colour from each other, so as to vary the aesthetic appearance of the bag according to the face of the insert which is facing outwards.

- 5 Both the side walls 16 of the bag 10 can be equipped with a pocket 30 with relative window 32. In this case, the two pockets and the relative windows could be of identical shape and dimensions or be different from each other. For example, the pockets and relative windows could both be of rectangular shape, but one of them could be larger to accommodate an electronic device provided with an externally viewable screen of larger dimensions, such as a tablet, and the other could be smaller to house an electronic device provided with an externally viewable screen of smaller dimensions, such as a smartphone.

Naturally, the principle of the invention remaining unchanged, the embodiments and the constructional details may vary widely from those described and illustrated purely by way of non-limiting example.

CLAIMS

1. Handbag or travelling bag (10), comprising a body (12) which encloses an inner space intended to contain objects and at least one handle (14) connected to the top of the body (12) to allow the bag to be taken and carried,
5 wherein the body (12) comprises two opposed side walls (16), which are arranged inclined with respect to each other so as to converge towards the top, two opposed connecting walls (22) which connect the two side walls (16) to each other, and a bottom wall (24) which closes the body (12) at the bottom, and is configured so as to permit the bag (10) not to fall
10 on one side when it is resting on a flat supporting surface, with the bottom wall (24) arranged in contact with this surface, or in any event parallel to it, characterized in that at least one of the two side walls (16) has a window (32) having dimensions such as to permit viewing and use of the screen (S) of a tablet, a smartphone, a palmtop computer or other electronic device equipped with an externally viewable screen,
15 and is furthermore provided with an inner pocket (30) configured to contain the device in such a way that the screen (S) is centred with the window (32) and that therefore the user can see the screen (S) from the outside and interact with it without having to remove the device from the pocket (30).
- 20 2. Bag according to Claim 1, wherein the window (32) is of substantially rectangular shape, with two horizontal sides (34) and two vertical sides (36).
3. Bag according to Claim 1 or 2, wherein the window (32) is an open window and wherein the bag (10) comprises furthermore a protective insert (38) which is insertable into
25 the pocket (30) and is dimensioned so as to be capable of occluding the window (32) completely.
4. Bag according to Claim 3, wherein the protective insert (38) is made of the same material as the bag (10).
- 30 5. Bag according to Claim 1 or 2, comprising furthermore a film of transparent material which closes the window (32).

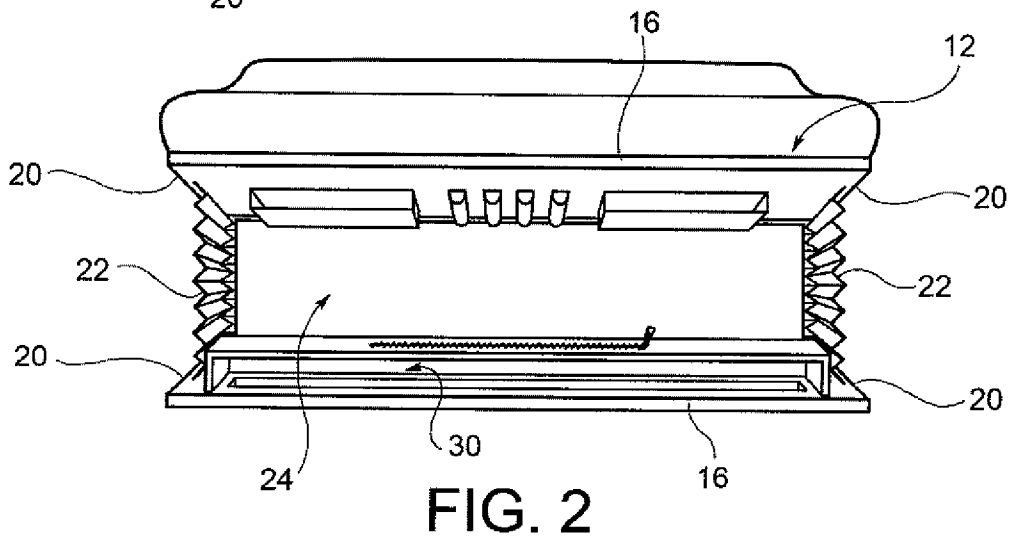
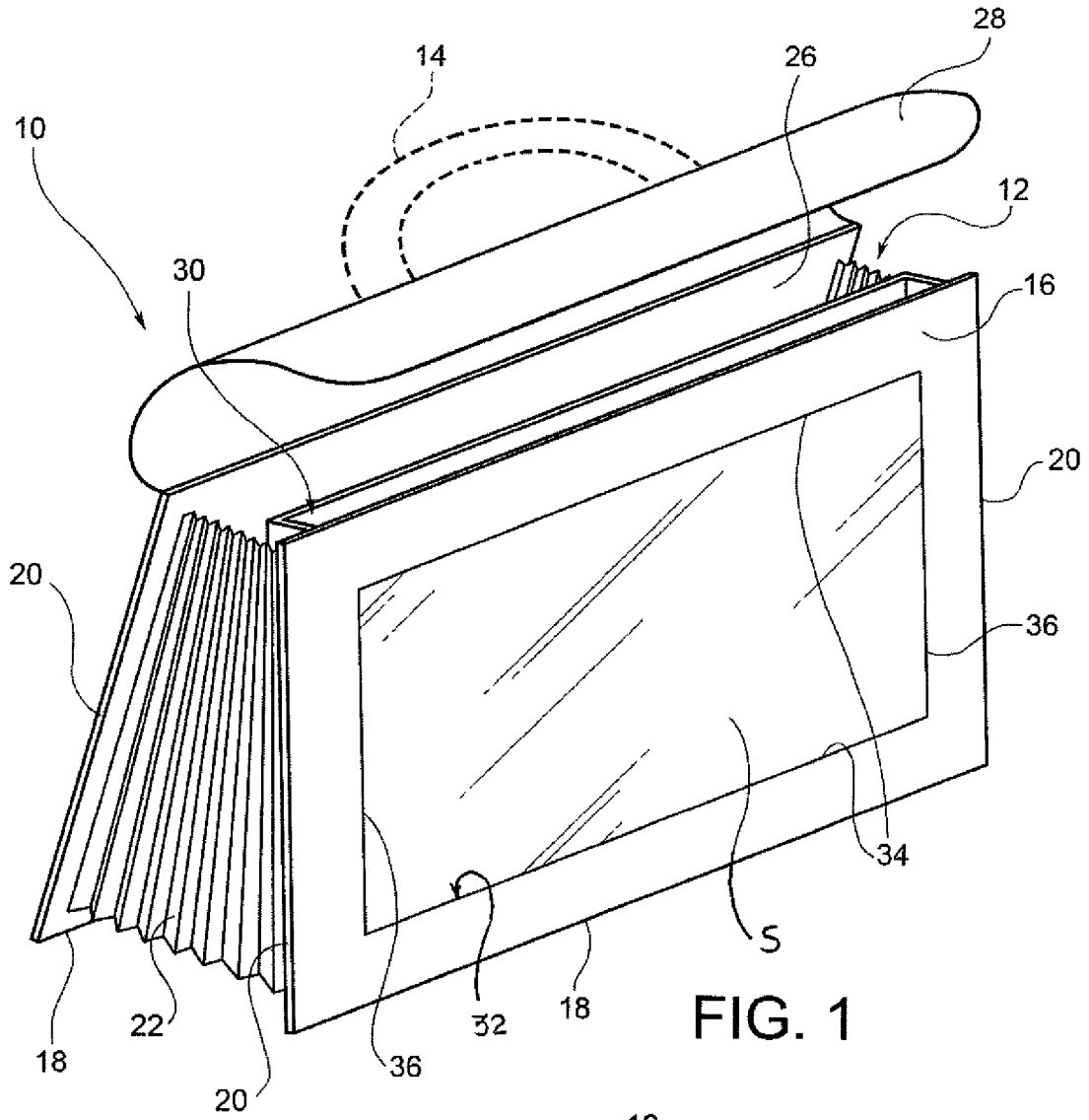


FIG. 3

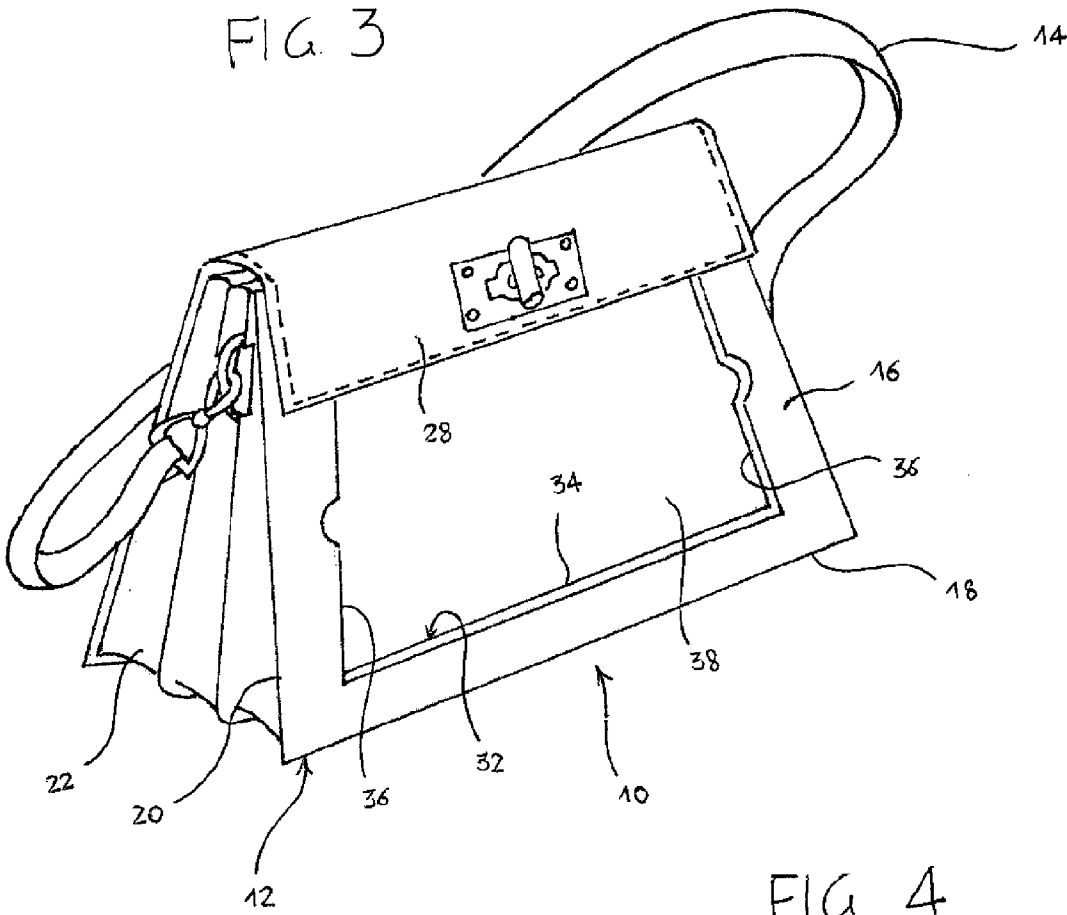
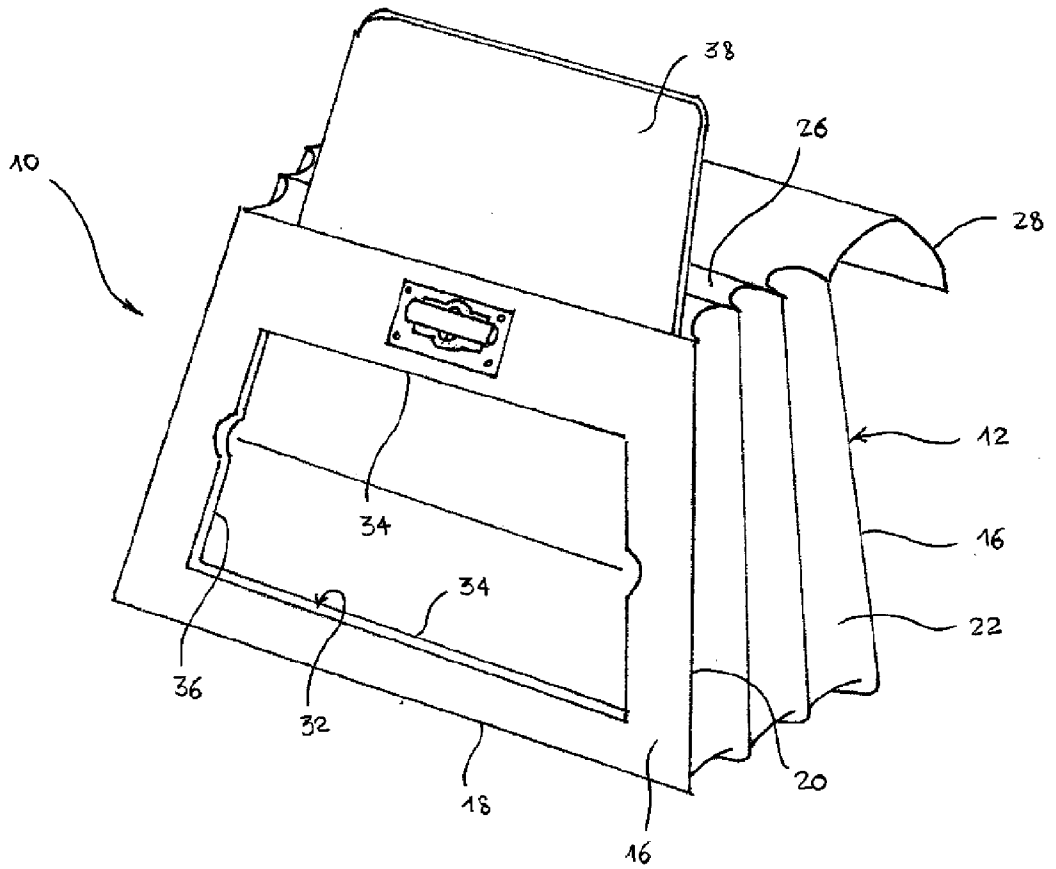
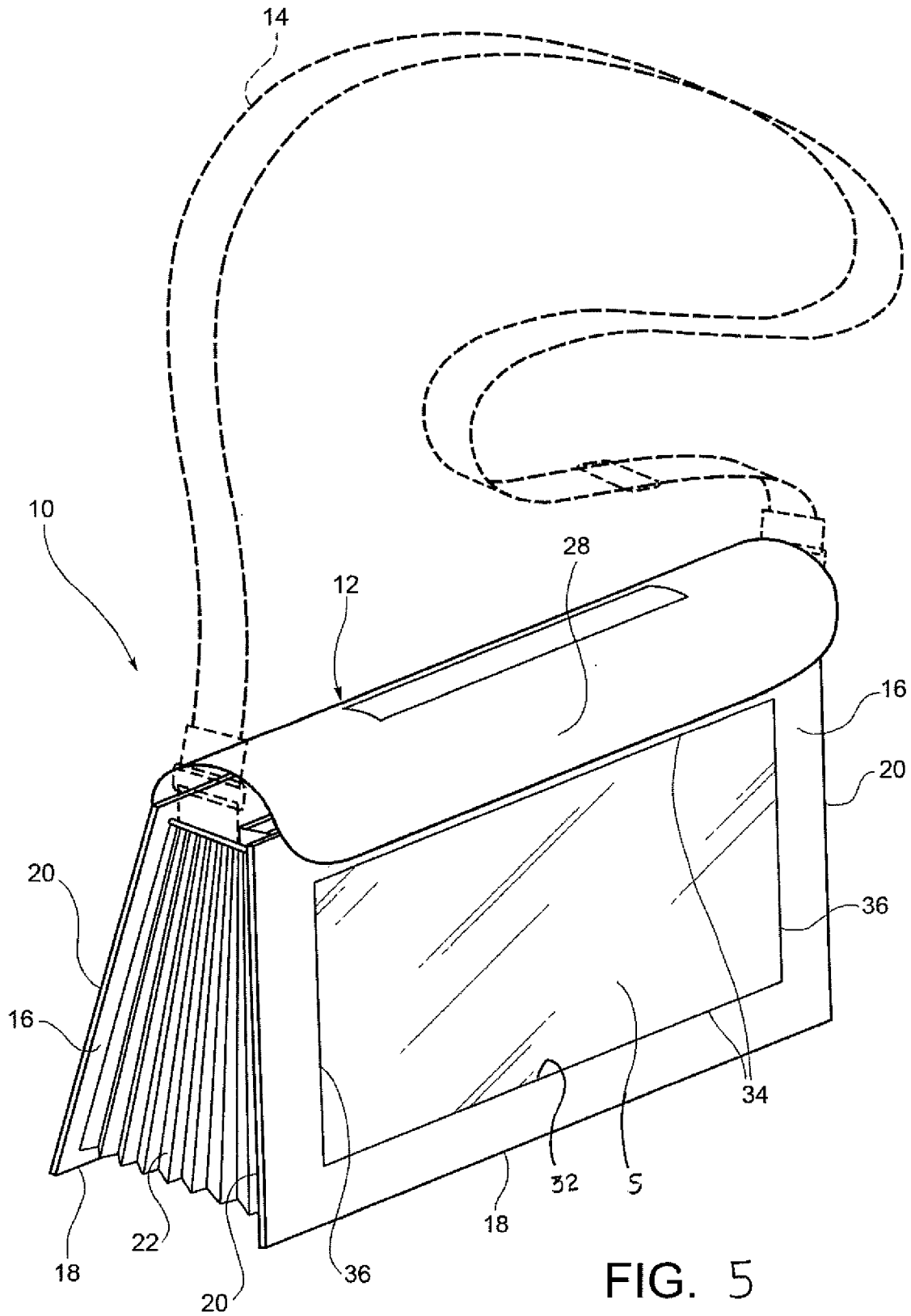


FIG. 4





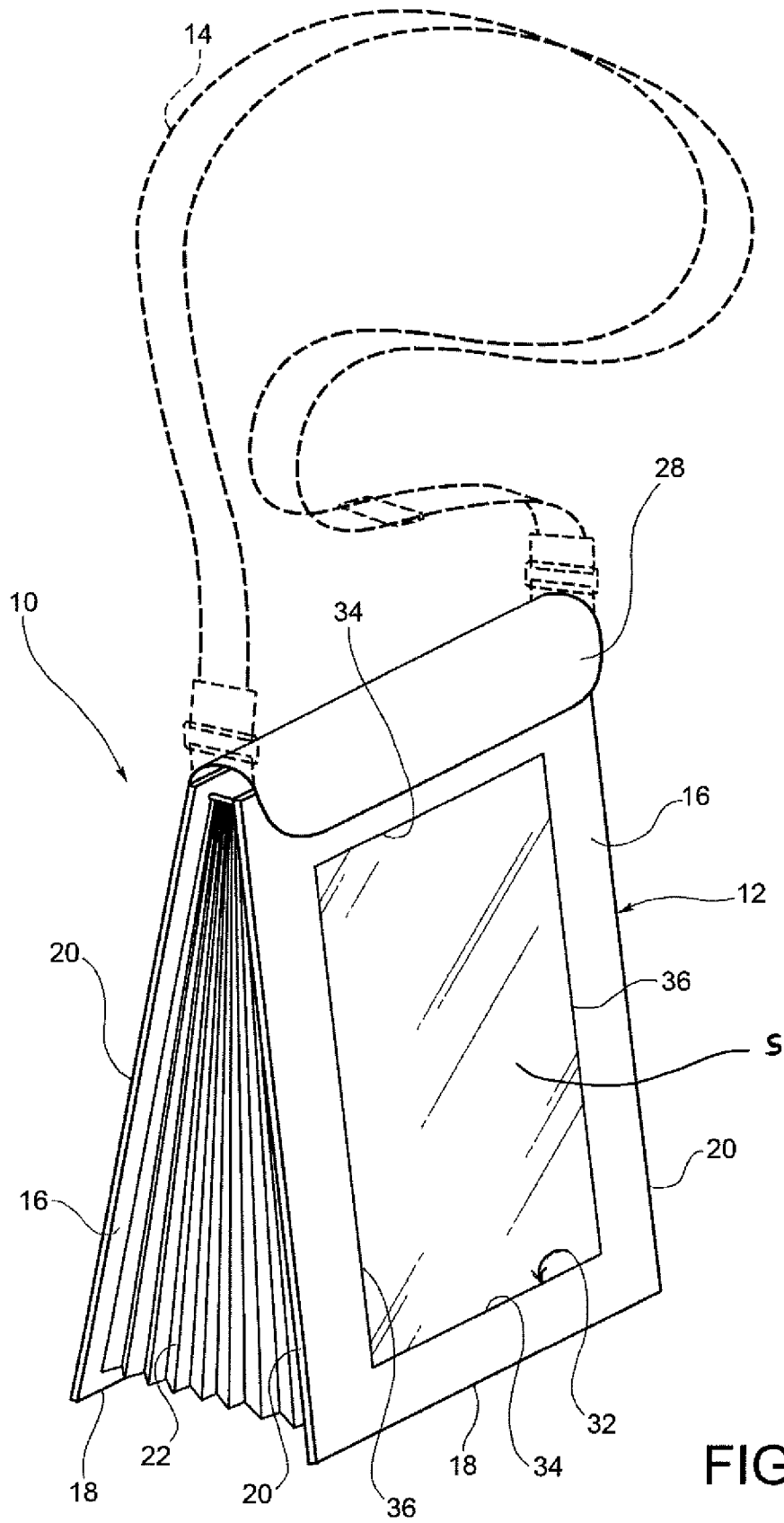


FIG. 6

INTERNATIONAL SEARCH REPORT

International application No
PCT/IB2013/050822

A. CLASSIFICATION OF SUBJECT MATTER
 INV. A45C3/02 A45C7/00 A45C13/02 A45F5/00
 ADD.
 According to International Patent Classification (IPC) or to both national classification and IPC

B. FIELDS SEARCHED
 Minimum documentation searched (classification system followed by classification symbols)
 A45C A45F

Documentation searched other than minimum documentation to the extent that such documents are included in the fields searched

Electronic data base consulted during the international search (name of data base and, where practicable, search terms used)
 EPO-Internal, WPI Data

C. DOCUMENTS CONSIDERED TO BE RELEVANT

Category*	Citation of document, with indication, where appropriate, of the relevant passages	Relevant to claim No.
X	US 2012/018609 A1 (ROWZEE LAURA MARIE [US] ET AL) 26 January 2012 (2012-01-26) paragraphs [0028] - [0038]; figures 1-9 -----	1,2,5
X	US 2009/133316 A1 (RICHTER BRENT A [US]) 28 May 2009 (2009-05-28) paragraphs [0019] - [0026]; figures 1-9 -----	1-4

Further documents are listed in the continuation of Box C.

See patent family annex.

* Special categories of cited documents :

- "A" document defining the general state of the art which is not considered to be of particular relevance
- "E" earlier application or patent but published on or after the international filing date
- "L" document which may throw doubts on priority claim(s) or which is cited to establish the publication date of another citation or other special reason (as specified)
- "O" document referring to an oral disclosure, use, exhibition or other means
- "P" document published prior to the international filing date but later than the priority date claimed

- "T" later document published after the international filing date or priority date and not in conflict with the application but cited to understand the principle or theory underlying the invention
- "X" document of particular relevance; the claimed invention cannot be considered novel or cannot be considered to involve an inventive step when the document is taken alone
- "Y" document of particular relevance; the claimed invention cannot be considered to involve an inventive step when the document is combined with one or more other such documents, such combination being obvious to a person skilled in the art
- "&" document member of the same patent family

Date of the actual completion of the international search
 30 July 2013

Date of mailing of the international search report
 06/08/2013

Name and mailing address of the ISA/
 European Patent Office, P.B. 5818 Patentlaan 2
 NL - 2280 HV Rijswijk
 Tel. (+31-70) 340-2040,
 Fax: (+31-70) 340-3016

Authorized officer
 Ionescu, C

INTERNATIONAL SEARCH REPORT

Information on patent family members

International application No

PCT/IB2013/050822

Patent document cited in search report	Publication date	Patent family member(s)	Publication date	
US 2012018609	A1	26-01-2012	CN 202286737 U	04-07-2012
			TW M418517 U	11-12-2011
			US 2012018609 A1	26-01-2012

US 2009133316	A1	28-05-2009	NONE	
