

(19) World Intellectual Property Organization  
International Bureau



(43) International Publication Date  
27 March 2003 (27.03.2003)

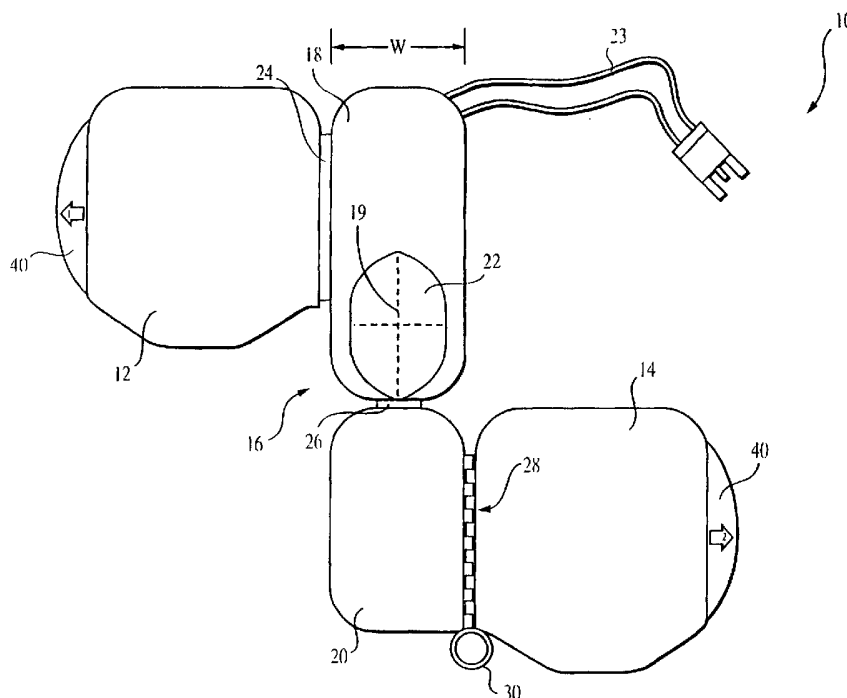
PCT

(10) International Publication Number  
WO 03/024520 A3

- (51) International Patent Classification<sup>7</sup>: A61N 1/05
- (21) International Application Number: PCT/US02/28812
- (22) International Filing Date:  
11 September 2002 (11.09.2002)
- (25) Filing Language: English
- (26) Publication Language: English
- (30) Priority Data:  
09/952,837 14 September 2001 (14.09.2001) US
- (63) Related by continuation (CON) or continuation-in-part (CIP) to earlier application:  
US 09/952,837 (CIP)  
Filed on 14 September 2001 (14.09.2001)
- (71) Applicant (for all designated States except US): ZMD CORPORATION [US/US]; 3411 Silverside Road, Wilmington, DE 19810 (US).
- (72) Inventors; and  
(75) Inventors/Applicants (for US only): DUPELLE, Michael, R. [US/US]; 12 George Street, North Attleboro, MA 02760 (US). JONES, Deborah, T. [US/US]; 21 Goldfinch Drive, Dartmouth, MA 02747 (US). HAMILTON, Ward [US/US]; 73 Mack Hill Road, Amherst, NH 03031 (US). FALLER, Frederick, W. [US/US]; 10 Hillside Avenue, Burlington, MA 01803 (US).
- (74) Agent: LEE, Roger, G.; Fish & Richardson, P.C., 225 Franklin Street, Boston, MA 02110-2804 (US).
- (81) Designated States (national): AE, AL, AM, AT, AU, AZ, BA, BB, BG, BR, BY, CA, CH, CN, CR, CU, CZ, DE, DK, DM, EE, ES, FI, GB, GD, GE, GH, GM, HR, HU, ID, IL, IN, IS, JP, KE, KG, KP, KR, KZ, LC, LK, LR, LS, LT, LU, LV, MA, MD, MG, MK, MN, MW, MX, NO, NZ, PL, PT, RO, RU, SD, SE, SG, SI, SK, SL, TJ, TM, TR, TT, TZ, UA, UG, US, UZ, VC, VN, YU, ZA, ZW.
- (84) Designated States (regional): ARIPO patent (GH, GM, KE, LS, MW, MZ, SD, SL, SZ, TZ, UG, ZM, ZW), Eurasian patent (AM, AZ, BY, KG, KZ, MD, RU, TJ, TM),

[Continued on next page]

(54) Title: ELECTRODE ASSEMBLIES



(57) Abstract: Electrode assemblies (10) are provided, in which a pair of electrodes (12, 14) is joined by a central member (16) including a CPR pad (22). In some embodiments, the electrode assemblies are foldable, and are configured to facilitate correct placement on a patient's chest. Some electrode assemblies include a separable electrode (14), allowing the electrode assembly to be fitted to patients having particularly large chests.



WO 03/024520 A3



European patent (AT, BE, BG, CH, CY, CZ, DE, DK, EE, ES, FI, FR, GB, GR, IE, IT, LU, MC, NL, PT, SE, SK, TR), OAPI patent (BF, BJ, CF, CG, CI, CM, GA, GN, GQ, GW, ML, MR, NE, SN, TD, TG).

**(88) Date of publication of the international search report:**  
4 September 2003

**Published:**

— with international search report

*For two-letter codes and other abbreviations, refer to the "Guidance Notes on Codes and Abbreviations" appearing at the beginning of each regular issue of the PCT Gazette.*

# INTERNATIONAL SEARCH REPORT

International application No.

PCT/US02/28812

**A. CLASSIFICATION OF SUBJECT MATTER**

IPC(7) : A61N 1/05  
 US CL : 607/142

According to International Patent Classification (IPC) or to both national classification and IPC

**B. FIELDS SEARCHED**

Minimum documentation searched (classification system followed by classification symbols)  
 U.S. : 600/372, 386, 389, 393; 607/4-5, 115, 142, 142, 148, 149, 152-153

Documentation searched other than minimum documentation to the extent that such documents are included in the fields searched

Electronic data base consulted during the international search (name of data base and, where practicable, search terms used)

**C. DOCUMENTS CONSIDERED TO BE RELEVANT**

Category *	Citation of document, with indication, where appropriate, of the relevant passages	Relevant to claim No.
X - Y	US 6,178,357 B1 (GLINER et al.) 23 January 2001 (23.01.2001), whole document.	1-8, 15-17, 21-22, 44-46, 54-55, 57, 62-64 ----- 9, 26, 46, 52
X ---, E Y	US 6,463,327 B1 (LURIE et al.) 08 October 2002 (08.10.2002), Figs. 1-5A, 7.	1-8, 15-17, 21, 22, 24, 44-45, 49-51, 54-55, 57, 62-64 ----- 9, 26
X	US 6,101,413 A (OLSON et al.) 08 August 2000 (08.08.2000) whole document.	1-5, 14-17, 21, 44-45, 48-51, 55-57, 62-63
Y	US 6,259,939 B1 (ROGEL) 10 July 2001 (10.07.2001), Fig. 4.	46, 52
Y, P	US 6,390,996 B1 21 May 2002 (21.05.2002), Col. 2, lines 44-53, Col. 6, lines 11-19.	9, 26

Further documents are listed in the continuation of Box C.

See patent family annex.

* Special categories of cited documents:	"T" later document published after the international filing date or priority date and not in conflict with the application but cited to understand the principle or theory underlying the invention
"A" document defining the general state of the art which is not considered to be of particular relevance	"X" document of particular relevance; the claimed invention cannot be considered novel or cannot be considered to involve an inventive step when the document is taken alone
"E" earlier application or patent published on or after the international filing date	"Y" document of particular relevance; the claimed invention cannot be considered to involve an inventive step when the document is combined with one or more other such documents, such combination being obvious to a person skilled in the art
"L" document which may throw doubts on priority claim(s) or which is cited to establish the publication date of another citation or other special reason (as specified)	"&" document member of the same patent family
"O" document referring to an oral disclosure, use, exhibition or other means	
"P" document published prior to the international filing date but later than the priority date claimed	

Date of the actual completion of the international search

14 December 2002 (14.12.2002)

Date of mailing of the international search report

**23 MAY 2003**

Name and mailing address of the ISA/US

Commissioner of Patents and Trademarks  
 Box PCT  
 Washington, D.C. 20231

Facsimile No. (703)305-3230

Authorized officer

Kristen L Droesch

Telephone No. 703-605-1185

*Diane Smith*

**INTERNATIONAL SEARCH REPORT**

PCT/US02/28812

**Continuation of Item 4 of the first sheet:**

The title is not precise.

New Title: DEFIBRILLATION ELECTRODE ASSEMBLIES INCLUDING CPR PAD.