



US00D377402S

United States Patent [19]

[11] Patent Number: **Des. 377,402**

Perkins

[45] Date of Patent: ****Jan. 14, 1997**

[54] **GLASS CHIMNEY FOR AN ILLUMINATION SOURCE**

592 of 1899 United Kingdom 362/162
92/04578 3/1992 WIPO 362/352

[75] Inventor: **David R. Perkins**, Manchester, Mass.

[73] Assignee: **Glass Dimensions**, Essex, Mass.

[**] Term: **14 Years**

[21] Appl. No.: **38,393**

[22] Filed: **May 3, 1995**

[52] U.S. Cl. **D26/135**

[58] **Field of Search** D26/128-136,
D26/11, 93, 102-112, 113, 114, 115, 118,
119; 362/351, 352, 353, 355, 356, 163,
410-414, 312-316, 161, 162, 186

[56] **References Cited**

U.S. PATENT DOCUMENTS

35,866	7/1862	Blake	362/315
D. 42,127	2/1912	Estep	D26/135
D. 153,171	3/1949	Pfister et al.	D26/129
D. 265,001	6/1982	Graham	D26/104

FOREIGN PATENT DOCUMENTS

303928	2/1955	Switzerland	362/163
--------	--------	-------------	-------	---------

OTHER PUBLICATIONS

Bradley Mfg. Co. Flyer, 1952, Lamp shade 10½ Square Uno.

Primary Examiner—Susan J. Lucas

Attorney, Agent, or Firm—Cesari and McKenna

[57] **CLAIM**

The ornamental design for a glass chimney for an illumination source, as shown and described.

DESCRIPTION

FIG. 1 is a right front perspective view of a glass chimney for an illumination source showing the new design;

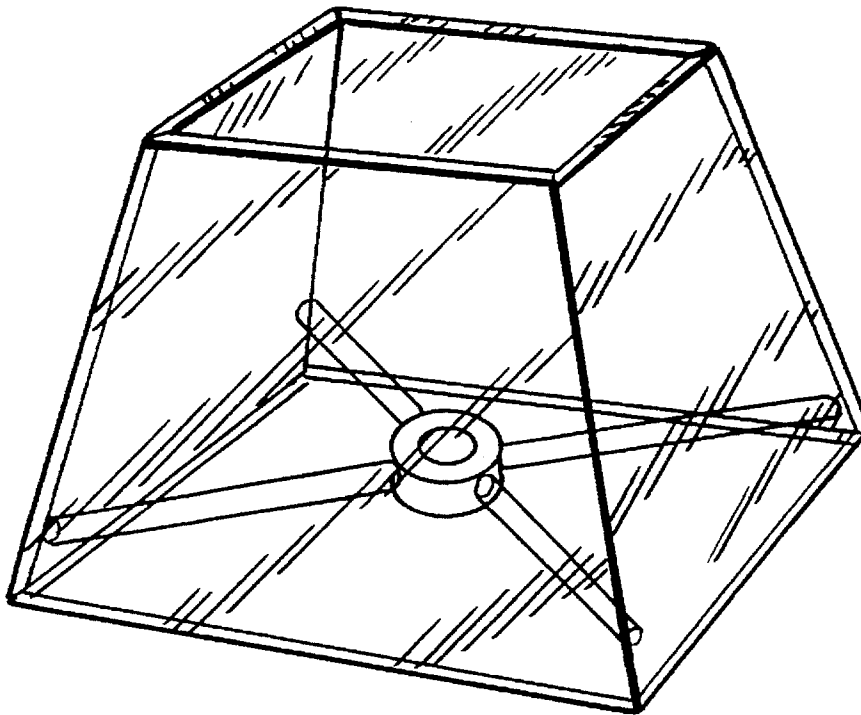
FIG. 2 is a rear view thereof, the right and left side views being the same;

FIG. 3 is a plan view thereof;

FIG. 4 is a bottom view thereof; and,

FIG. 5 is a view similar to FIG. 1 of another chimney embodiment.

1 Claim, 2 Drawing Sheets



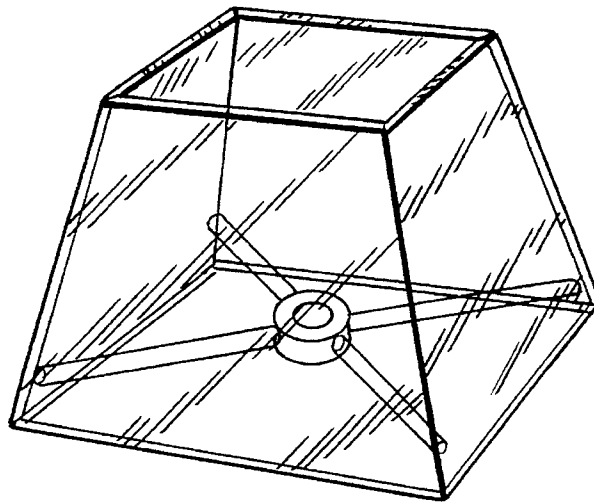


FIG. 1

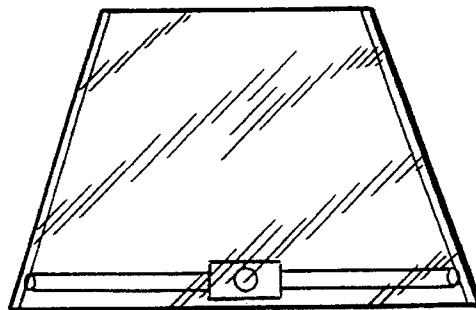


FIG. 2

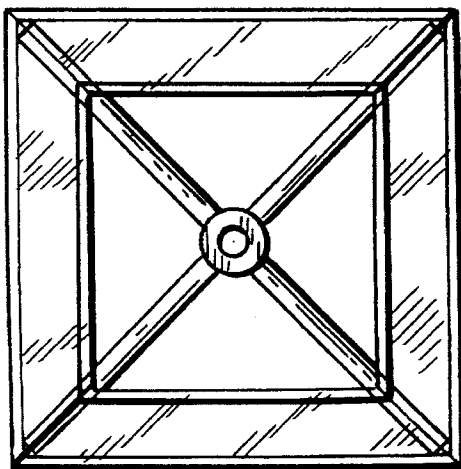


FIG. 3

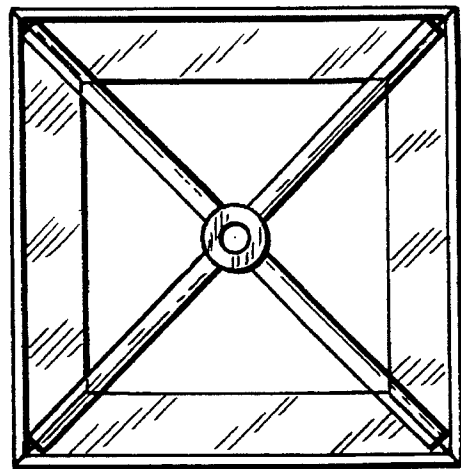


FIG. 4

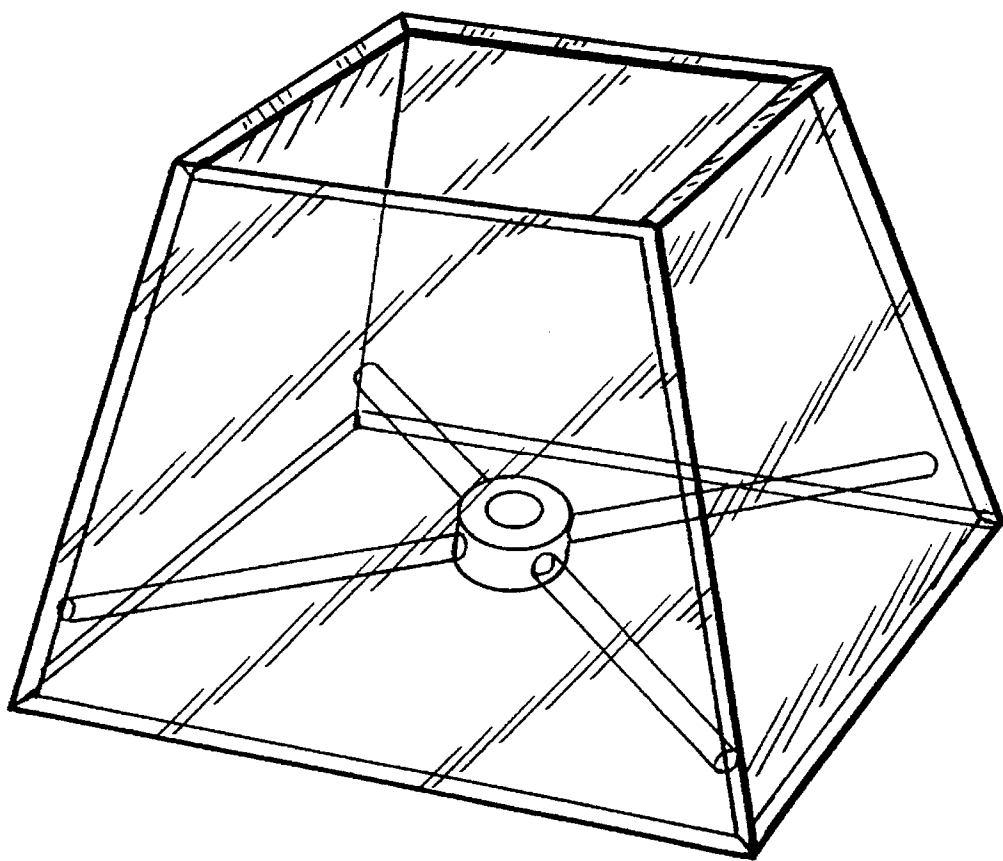


FIG. 5