

(19) World Intellectual Property
Organization
International Bureau



(43) International Publication Date
22 January 2004 (22.01.2004)

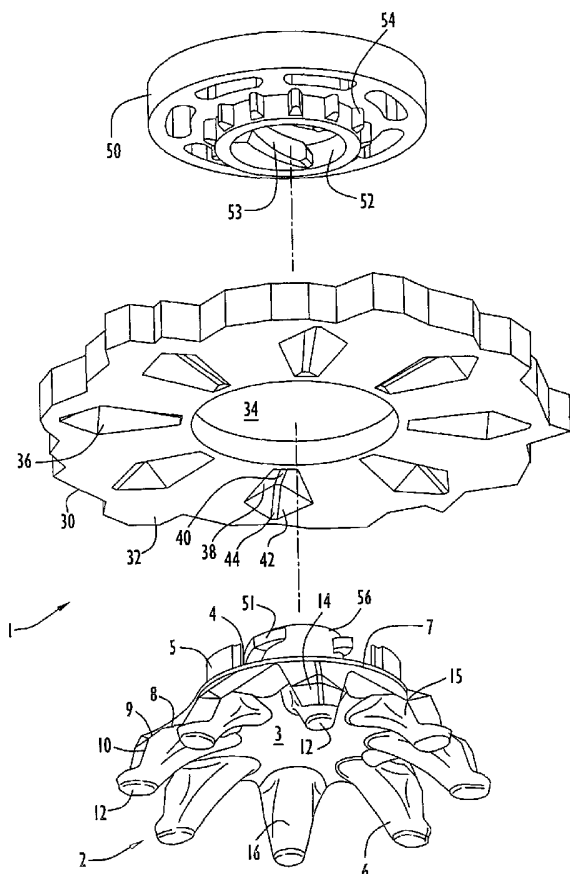
PCT

(10) International Publication Number
WO 2004/007302 A1

- (51) International Patent Classification⁷: **B65D 5/00**, A43C 15/00, 15/14
- (21) International Application Number: PCT/US2003/021951
- (22) International Filing Date: 16 July 2003 (16.07.2003)
- (25) Filing Language: English
- (26) Publication Language: English
- (30) Priority Data: 10/195,315 16 July 2002 (16.07.2002) US
- (71) Applicant (for all designated States except US): **SOFT-SPIKES, INC.** [US/US]; 806 West Diamond Avenue, Suite 200, Gaithersburg, MD 20878 (US).
- (72) Inventor; and
- (75) Inventor/Applicant (for US only): **MCMULLIN, Faris** [US/US]; 12396 West Ginger Creek, Boise, ID 83713 (US).
- (74) Agents: **EDELL, Ira, C.** et al.; Edell, Shapiro & Finnan, LLC, 1901 Research Boulevard, Suite 400, Rockville, MA 20850 (US).
- (81) Designated States (national): AE, AG, AL, AM, AT, AU, AZ, BA, BB, BG, BR, BY, BZ, CA, CH, CN, CO, CR, CU, CZ, DE, DK, DM, DZ, EC, EE, ES, FI, GB, GD, GE, GH, GM, HR, HU, ID, IL, IN, IS, JP, KE, KG, KP, KR, KZ, LC, LK, LR, LS, LT, LU, LV, MD, MG, MK, MN, MW, MX, MZ, NO, NZ, OM, PH, PL, PT, RO, RU, SC, SD, SE, SG, SK, SL, TJ, TM, TN, TR, TT, TZ, UA, UG, US, UZ, VC, VN, YU, ZA, ZM, ZW.
- (84) Designated States (regional): ARIPO patent (GH, GM, KE, LS, MW, MZ, SD, SL, SZ, TZ, UG, ZM, ZW), Eurasian patent (AM, AZ, BY, KG, KZ, MD, RU, TJ, TM), European patent (AT, BE, BG, CH, CY, CZ, DE, DK, EE, ES, FI, FR, GB, GR, HU, IE, IT, LU, MC, NL, PT, RO, SE, SI, SK, TR), OAPI patent (BF, BJ, CF, CG, CI, CM, GA, GN, GQ, GW, ML, MR, NE, SN, TD, TG).

[Continued on next page]

(54) Title: SHOE CLEAT WITH IMPROVED TRACTION



(57) Abstract: A shoe cleat (1) with improved traction includes at least one resiliently flexible traction element (6) extending from a hub (7) and being resiliently deflectable in a direction toward the sole of a shoe when the cleat (1) is secured to the sole. The cleat (1) is further configured to trap and engage blades of grass during resilient deflection of the traction element when the shoe is forced against a turf surface. The grass blades are frictionally engaged and secured in a non-planar engaging area by the traction element (6) resulting in an enhanced traction of the shoe with respect to the turf surface. A convex foot (12) on the traction element includes a suitable curvature to facilitate sliding of the foot along the turf surface as the traction element (6) deflects to avoid penetration into the turf.

WO 2004/007302 A1



Published:

- with international search report
- with amended claims

For two-letter codes and other abbreviations, refer to the "Guidance Notes on Codes and Abbreviations" appearing at the beginning of each regular issue of the PCT Gazette.

SHOE CLEAT WITH IMPROVED TRACTION

BACKGROUND OF THE INVENTION

Technical Field

This invention pertains generally to improvements in traction shoe cleats and, more particularly, to a shoe cleat having enhanced traction while minimizing damage to a turf surface as well as wear to the cleat when applied to hard surfaces.

Discussion of Related Art

The need for providing improved traction elements for the soles of shoes on turf surfaces is well known in the art, particularly in the field of sports such as football, baseball, soccer and golf. In many sports, particularly golf, the need for providing improved traction elements must be considered in combination with limiting the wear and tear on the playing turf that can be caused by the traction elements.

Attempts have been made to provide an effective traction element for a shoe that also minimizes any damage to the turf during use. For example, U.S. Patent Nos. 5,259,129 and 5,367,793 to Deacon et al., the disclosures of which are incorporated herein by reference in their entireties, describe golf cleats that are made from plastic rather than conventional metal golf spikes and provide frictional gripping forces on the turf surface without puncturing the turf. However, while the golf cleats described in these patents are effective in protecting the turf, they suffer from a disadvantage in that the cleats tend to wear away quickly when applied to hard surfaces such as concrete sidewalks and roadways.

In U.S. Patent No. 6,167,641 to McMullin (the McMullin '641 patent), the disclosure of which is incorporated herein by reference in its entirety, a shoe cleat is described that provides traction on turf surfaces and is resistant to wear when applied to hard surfaces. The cleat of the McMullin '641 patent includes a hub with at least one cantilevered arm including a traction element extending from the hub and capable of deflecting toward the hub when force is applied to the traction element. The traction element engages grass blades and provides traction while minimizing harm to

the turf. In particular, enhanced traction is provided due to grass blades becoming trapped between the cantilevered arm and the sole of the shoe when the traction element bends toward the sole, resulting in a temporary mechanical locking of the shoe to the grass. The deflection feature of the cleat of the McMullin '641 patent
5 further minimizes wear of the cleat when engaging a hard surface such as concrete.

While the cleat described in the McMullin '641 patent is effective in providing enhanced traction, minimal damage to the turf, and minimized wear of the cleat on hard surfaces, it is noted that the traction developed by the trapping of blades of grass between the cantilevered arm of the cleat and the sole of the shoe is limited to a
10 substantially planar engagement. In other words, when the cleat is deflected, the surfaces of the arm and the sole that engage and trap blades of grass are generally parallel to each other such that the engaged portion of each blade of grass generally occupies a single plane. In such a trapped environment, the possibility exists for blades of grass to frictionally slide between the engaging surfaces of the cleat and
15 shoe sole if the shoe begins to slide along the turf while the cleat is in the deflected position.

It is therefore desirable to provide a shoe cleat with enhanced traction that is capable of trapping and firmly engaging blades of grass while preventing any frictional sliding of the trapped blades with respect to the shoe.
20

OBJECTS AND SUMMARY OF THE INVENTION

Therefore, in light of the above, and for other reasons that become apparent when the invention is fully described, an object of the present invention is to provide a shoe cleat with enhanced traction while minimizing damage to turf surfaces.
25

It is another object of the present invention to provide a shoe cleat that does not easily wear on hard surfaces such as concrete or asphalt.

It is a further object of the present invention to provide a shoe cleat that is capable of deflecting to temporarily engage and trap blades of grass upon contact with the turf while preventing the trapped blades of grass from sliding during such
30 temporary engagement.

The aforesaid objects are achieved individually and in combination, and it is not intended that the present invention be construed as requiring two or more of the objects to be combined unless expressly required by the claims attached hereto.

In accordance with the present invention, an improved traction cleat is provided including a hub and at least one traction element extending from the hub and away from the sole of a shoe when the cleat is secured to the shoe sole. The traction element is configured to deflect toward the shoe sole to trap and frictionally engage
5 blades of grass in a non-planar engaging area disposed between the traction element and the shoe. The non-planar engagement and trapping of the blades of grass by the shoe cleat firmly secures the shoe to the grass blades and prevents sliding of the shoe on the turf.

Further, in order to minimize damage to golf greens, the invention provides for
10 configuring the foot, or turf contacting portion, of each traction element smoothly convex to facilitate sliding of the foot along a golf green as the traction elements flex outwardly under the weight of the wearer of the shoe.

The above and still further objects, features and advantages of the present invention will become apparent upon consideration of the following definitions,
15 descriptions and descriptive figures of specific embodiments thereof wherein like reference numerals in the various figures are utilized to designate like components. While these descriptions go into specific details of the invention, it should be understood that variations may and do exist and would be apparent to those skilled in the art based on the descriptions herein.

20

BRIEF DESCRIPTION OF THE DRAWINGS

Fig. 1 is an exploded view in perspective and from below of a shoe cleat including connector in accordance with the present invention.

Fig. 2 is a bottom view in perspective of the shoe cleat of Fig. 1.

25 Fig. 3 is a top view in perspective of the cleat of the shoe cleat of Fig. 1.

Figs. 4a-4c are side cross-sectional views of the shoe cleat of Fig. 1 connected to the sole of a shoe at rest and in deflected positions with blades of grass trapped by the shoe cleat.

Fig. 5 is a side cross-sectional view of an alternative embodiment of a shoe
30 cleat connected to the sole of a shoe and in a deflected position with blades of grass trapped by the shoe cleat.

Fig. 6 is a side cross-sectional view of a third alternative embodiment of a shoe cleat connected to the sole of a shoe in accordance with the present invention,

where the shoe cleat is in a deflected position with blades of grass trapped by the shoe cleat.

Fig. 7 is a side cross-sectional view of a fourth alternative embodiment of a shoe cleat connected to the sole of a shoe in accordance with the present invention, where the shoe cleat is in a deflected position with blades of grass trapped by the shoe cleat.

Fig. 8 is a side cross-sectional view of a fifth alternative embodiment of a shoe cleat connected to the sole of a shoe in accordance with the present invention, where the shoe cleat is in a deflected position with blades of grass trapped by the shoe cleat.

Fig. 9 is a side cross-sectional view of a sixth alternative embodiment of a shoe cleat connected to the sole of a shoe in accordance with the present invention, where the shoe cleat is in a deflected position with blades of grass trapped by the shoe cleat.

DETAILED DESCRIPTION OF PREFERRED EMBODIMENTS

The present invention includes a shoe cleat and connector providing enhanced traction while minimizing damage to a turf surface to which the cleat is applied and reducing wear to the cleat when engaging a hard surface. While the embodiments described below depict a single shoe cleat secured to a connector disposed in the sole of a shoe, it is noted that any suitable number of shoe cleats may be provided on the sole of a shoe in any selected pattern or array to obtain a desired traction of the shoe on a particular turf surface.

Referring to Figs. 1-3, a shoe cleat assembly 1 includes a cleat 2 and a base 30, both of which are secured to a receptacle connector 50 disposed within a suitable recess in a shoe sole. For purposes of convenience and clarity, the connector 50 is not depicted within the sole in Fig. 1. The cleat 2 includes a generally circular hub 7 having a bottom surface 3 and a top surface 4. It is to be understood that the terms "top surface" and "bottom surface" as used herein refer to surfaces of the shoe cleat that face toward or away, respectively, from the connector that secures the shoe cleat to the shoe sole. Traction elements 6 are deflectably secured to the hub 7 and extend away from the bottom surface 3 in a manner described below. The cleat, base and connector may be made of any one or more suitable materials (e.g., plastic, metal, etc.). Preferably, the traction elements are made of a suitable resiliently flexible

material (e.g., an elastomer or any other suitably resilient plastic) to permit a desired degree of deflection toward the shoe sole upon engaging a surface.

Extending from the top surface 4 of the cleat are locking posts 5 that mate and releasably engage with locking projections 54 disposed on the outside of an internally threaded receptacle 52 of the connector 50 so as to releasably secure the shoe cleat to the shoe sole. The internal threads 53 of receptacle 52 engage threads 51 disposed on the outer surface of a cleat post 56. This connecting mechanism is substantially similar in design and operation to the shoe cleat connector described in U.S. Patent No. 5,974,700 to Kelly, the disclosure of which is incorporated herein by reference in its entirety. However, it is noted that the cleat connector and connection elements on the cleat form no part of the present invention, and any connector design capable of securing the shoe cleat to the sole of a shoe may be utilized including, without limitation, the threaded screw cleat connector design described in the McMullin '641 patent. A further example of a connector arrangement that may be employed is substantially similar to the arrangement described in co-pending U.S. Patent Application Serial No. 09/987,238, filed November 14, 2001 by Kelly et al. and entitled "Studded Footware", where the final rotational position of the cleat relative to the receptacle is predetermined. The disclosure of that patent application is incorporated herein by reference in its entirety. Alternatively, the cleat may directly engage the sole of the shoe.

Base 30 includes an irregular, non-circular shaped disk including an outer perimeter formed by a series of consecutively connected multifaceted surfaces. The perimeter geometry of the base may correspond with the outer perimeter of the receptacle of the shoe sole in which the connector 50 is nested such that, upon proper alignment and insertion of base 30 within the sole receptacle, a bottom surface 32 of the base is substantially flush with the bottom surface of the sole and is incapable of rotational movement with respect to the sole. The base further includes a substantially circular aperture 34 defined axially through the base and aligned and sufficiently dimensioned to permit the connecting elements of the cleat and receptacle to engage one another. Specifically, the base aperture 34 is suitably dimensioned to permit insertion of threaded cleat post 56 and locking posts 5 through such aperture so as to appropriately engage the connector and retain the cleat and base to the shoe sole. A series of recesses 36 are defined in and along the bottom surface 32 of the base surrounding the opening 34. The recesses 36 are preferably multifaceted and are

angularly aligned about the central longitudinal axis of the base to receive deflecting traction elements 6 of the cleat in a manner described below.

The base 30 illustrated in Fig. 1 is separate from the cleat and the connector. However, it is noted that the base may be molded to be integral with either the cleat or the connector. It is further noted that the base may also be integral with the sole of the shoe. In such an embodiment, the receptacle of the shoe sole is substantially similar in dimension with the aperture 34 of the base 30 depicted in Fig. 1, and the multifaceted recesses are disposed around the receptacle and suitably aligned to receive deflecting traction elements of the cleat in the manner described below. When the base 30 is not integral or otherwise positionally fixed to the cleat 2, the locking arrangement between the cleat 2 and connector 50 must be such as to assure alignment of traction elements 6 with recesses 36 when the cleat has been rotationally locked in place in the receptacle 50. Such an arrangement is disclosed, for example, in the aforementioned Kelly et al. patent application. If the base and cleat are positionally fixed to one another, the locking arrangement need not provide for a predetermined final orientation of the cleat relative to the connector.

Cleat 2 includes a plurality of cantilevered traction elements 6 circumferentially spaced along the outer perimeter of the hub 7 and extending in a direction downwardly and outwardly away from the bottom surface 3. The traction elements are constructed of a suitable resilient and flexible material such that, when an appropriate amount of force is applied to the bottom of the cleat (e.g., when the shoe is forced against a turf surface), the cantilevered traction elements pivot and are flexed toward the shoe sole and are at least partially received in the recesses 36 of the base 30. When force is removed from the bottom of the cleat (e.g., when the shoe is lifted from the turf surface), the traction elements resiliently deflect back to their initial or original unstressed position. For illustrative purposes, eight traction elements 6 are depicted in Figs. 1-3, and eight corresponding multifaceted recesses 36 are disposed on the base 30 and aligned with the traction elements. However, it is noted that any suitable number of traction elements (e.g., one or more) and corresponding recesses may be utilized in accordance with the present invention to obtain a desirable traction and non-planar engagement with blades of grass when the traction elements are deflected as described below.

Each traction element 6 includes a base section 8 extending outward at an obtuse angle (e.g., about 140-160°) from the bottom surface of the hub 7, a medial

section 9 extending at an obtuse angle (e.g., about 140-160°) from the base section 8, and a distal section 10 extending at an obtuse angle (e.g., about 140-160°) from the medial section 9 and terminating in a foot 12. The medial section is substantially shorter in longitudinal dimension than each of the base and distal sections, and the distal section is shorter in longitudinal dimension than the base section. Each foot 12 has a convex, generally elliptical, periphery with a major axis aligned along an imaginary axis that intersects a central longitudinal axis passing perpendicularly through the hub 7. Each foot 12 further extends along its major axis beyond the distal section to which it is attached and away from and beyond the outer perimeter of the hub 7. The traction elements 6 are preferably all substantially similarly dimensioned such that, when each traction element 6 is at rest (i.e., not deflected toward the shoe sole), the lowermost points on all of the feet 12 define an imaginary plane that is substantially parallel to the plane of the bottom surface of hub 7, and the combined centers of all the feet are disposed on an imaginary circle that resides in the imaginary plane and has the hub longitudinal axis passing perpendicularly through its center. The bottom surface of each foot 12 is configured smooth and convex to minimize impact of the cleat on a turf surface as described below.

The base section 8, medial section 9 and distal section 10 of each traction element 6 combine to form an exterior surface portion 14 facing generally upwardly and outwardly away from the longitudinal axis of hub 7. An interior surface portion 16 faces generally downwardly and inwardly toward that axis, and side surfaces 15 connect the interior and exterior surface portions to form the remaining peripheral surface area of each traction element. The interior surface portions 16 are preferably smooth and include no corners or edges, whereas the exterior surface portions 14 are preferably multifaceted, the facets intersecting in a plurality of corners or edges.

Each interior surface portion 16 forms a generally concave surface extending from the bottom surface 3 of the hub to a corresponding foot 12 such that a spatial area generally defined by the combined interior surface portion areas of the cleat 2 forms an imaginary solid curved figure. For example, in the illustrated embodiment of Figs. 1-3, when each of the traction elements is at rest (i.e., not deflecting toward the shoe sole), the spatial area at least partially defined by the combined interior surface portion areas of the cleat has the configuration of a segment of a sphere. Alternatively, the combined interior surface portion areas may form any suitable curved or polyhedral geometry including, without limitation, a segment of an ovoid,

or a paraboloid, or a polyhedron. It will be appreciated that, upon deflection of any of the traction elements toward the shoe sole, the spatial geometry at least partially defined between the combined interior surface portion areas of the traction elements will change; however, despite the change, the spatial geometry will remain the similar but with a larger diametric dimension. This feature is particularly important when
5 utilizing the shoe cleat on certain turf surfaces, as the smooth geometry within the interior of the cleat softens contact between the cleat and grass blades disposed between the traction elements as the cleat is pressed upon the turf.

The exterior surface portions 14 of the traction elements 6 are substantially
10 similar, with each portion including three sets of facets intersecting at linear junctions along the exterior surface portion such that the exterior surface portion resembles a section of a polyhedron. The facets are further configured such that the exterior surface is symmetrical along its major dimension. Each set includes three facets aligned with respect to each other as described below. While Figs. 1-3 depict the
15 facets on the exterior surface portion of the traction elements 6 and corresponding facets in the recesses 36 of the base 30 as being generally planar, it is noted that these facets may also be curved in any suitable manner (e.g., concave or convex). Thus, the term "facet" as used herein refers to both planar and non-planar surfaces. In addition, it is noted that the exterior surface geometries of the traction elements and the interior
20 surface geometries of the recesses are not limited to the depiction in Figs. 1-3. Rather, any suitable symmetrical or asymmetrical multifaceted exterior traction element geometry and/or interior recess geometry may be provided, and the exterior or interior surface geometries of any two or more traction elements and/or recesses may vary. An important feature that must be retained, irrespective of the chosen
25 surface geometry or shape, is the ability of the traction element to cooperate with the base, sole or other member to bend, crimp or force into any other non-planar configuration blades of grass in the manner described below.

Referring to Fig. 3, the exterior facets of a first set of each traction element 6 define the exterior of the base section 8 and extend longitudinally from the hub 7
30 toward a second set. The facets of the second set define the exterior of the medial section 9. Two generally tetragonal facets 18 of the first set are disposed on either side of a generally rectangular central facet 20, with the facing longitudinal edges of facets 18 forming linear junctions with the opposing edges of the central facet 20. The tetragonal facets 18 of the first set further extend in a direction transverse their

major or longitudinal dimensions and at substantially similar obtuse angles (e.g., about 120-170°) from the central facet 20 to terminate at opposing peripheral edges of the base section 8. The second set of facets of the medial section 9 includes two generally triangular facets 22 forming linear junctions at facing edges with the
5 opposing edges of a generally rectangular central facet 24. The triangular facets 22 extend from the opposing edges of the central facet 24 at substantially similar obtuse angles (e.g., about 120-170°) to form apexes disposed on opposing peripheral edges of the medial section 9. Each of the triangular facets 22 of the second set also includes an upper edge that forms a linear junction with a lower edge of a
10 corresponding tetragonal facet 18 of the first set. Similarly, the upper edge of central facet 24 of the second set forms a linear junction with the lower edge of central facet 20 of the first set.

The third set of facets defines the exterior of the distal section 10 of each traction element 6 and includes two generally tetragonal facets 26 disposed on either
15 side of a generally rectangular central facet 28, with the facing longitudinal edges of the tetragonal facets 26 forming linear junctions with the opposing edges of the central facet 28. Tetragonal facets 26 of the third set extend in a direction transverse their longitudinal dimensions and at substantially similar obtuse angles (e.g., about 120-170°) from the central facet 28 to terminate at opposing peripheral edges of the
20 distal section 10. Each tetragonal facet 26 further extends longitudinally from a linear junction at a lower edge of a corresponding triangular facet 22 of the second set to a top surface 13 of the foot 12. Similarly, the central facet 28 of the third set extends from a lower edge of the central facet 24 of the second set to the top surface 13 of the foot 12.

Each recess 36 disposed on the base 30 is defined by a series of facets that are
25 suitably aligned in a complimentary geometric configuration with respect to the first and second sets of facets disposed on the base section 8 and medial section 9 of the traction elements 6 such that the facets of the recess engage the first and second facets of a corresponding traction element 6 when the traction element is deflected at least
30 partially into the recess as described below.

Each recess 36 also includes two sets of generally planar facets that are substantially symmetrical along a longitudinal dimension of the recess. Referring again to Fig. 1, a first set of facets extends from a section of the recess lying proximate base opening 34 and includes two generally tetragonal surfaces 38

separated by a generally rectangular central facet 40 disposed at a first bottom section of the recess, with the facing longitudinal edges of tetragonal facets 38 forming linear junctions with the opposing edges of the central facet 40. The tetragonal facets 38 of the first set of each recess further extend in a direction transverse their longitudinal dimensions and at substantially similar obtuse angles from the central facet 40 to terminate at opposing peripheral edges of the recess. The angle at which each tetragonal facet 38 extends from central facet 40 is substantially similar to the angle at which the tetragonal facets 18 of each of the traction elements 6 extend from their respective central facet 20. Thus, the first set of facets of each recess 30 basically compliments the first set of facets of each traction element 6 such that the tetragonal facets 18 and central facet 20 align and substantially engage with corresponding tetragonal facets 38 and central facet 40 when the traction element is deflected into the recess.

The second set of recess facets forms the remainder of each recess and includes two generally triangular facets 42 separated by a generally rectangular central facet 44 disposed at a second bottom section of the recess, with the facing edges of the triangular facets 42 forming linear junctions with opposing edges of the central facet 44. The triangular facets 42 extend from the opposing edges of the central facet 44 at substantially similar obtuse angles to form apexes disposed on peripheral edges of the recess 36. The angle at which each triangular facet 42 extends from central facet 44 is substantially similar to the angle at which the triangular facets 22 of the medial section 9 of each traction element 6 extend from their respective central facet 24. An edge of each triangular facet 42 of the second set forms a linear junction with a corresponding edge of a tetragonal facet 38 of the first set, whereas an edge of the central facet 44 of the second set forms a linear junction with a corresponding edge of the central facet 40 of the first set. Each recess facet in the second set further extends from a respective recess facet of the first set at an angle substantially similar to the angle at which the medial section 9 extends from the base section 8 of each traction element 6. Thus, the second set of facets of each recess 30 forms a geometric configuration and spatial alignment that substantially compliments the second set of facets of each traction element 6. In addition, the second set of facets of each recess is suitably dimensioned to receive at least a portion of the third set of facets of the distal section 10 of each traction element. When the traction elements are at fully deflected positions with respect to the shoe sole, the first and

second sets of facets of the base and medial sections of each traction element are completely received within a corresponding recess and engage with the first and second sets of recess facets to provide a non-planar engaging area for blades of grass trapped between the traction element and recess. In such fully deflected position, at least a portion of the third set of facets of the distal section of each traction element is also received within the corresponding recess, while the feet 12 of each traction element remain removed from the recesses.

In operation, the cleat 2 and base 30 are oriented such that, when the cleat is locked in receptacle 50, each of the traction elements 6 is aligned with a corresponding recess 36 disposed on the base 30.

Deflection of the traction elements toward the base or shoe sole under the weight of the wearer of the shoe is illustrated in Figs. 4a-4c. These figures depict a cross-section of the cleat 1 and a shoe sole 60 to which the cleat is attached, where the traction elements 6 are initially at rest in an initial or original position (Fig. 4a) and then deflected to positions where the traction elements are at least partially received in and engage respective recesses 36 to trap and secure blades of grass 62 (Figs. 4b and 4c). Specifically, as the shoe is brought down against a turf surface, forces are applied to feet 12 of the cleat 2, resulting in a deflection of the traction elements 6 in a direction toward shoe sole 60 and base 30. The exterior surfaces 14 of the traction elements are brought into engaging contact with recesses 36, where the first and second sets of exterior facets 18, 20, 22, 24 of each traction element engage the first and second sets of facets 38, 40, 42, 44 of a corresponding recess. In other words, the exterior surface portions of the base and medial sections 8, 9 of the traction elements 6 engage with corresponding surface portions of the recesses 36. Grass blades 62 disposed on the turf at a location between a traction element and a corresponding recess are forced into the recess by the traction element, where they become bent or crimped by the combination of the engaging multifaceted geometries of the traction elements and the recesses.

At the point of deflection depicted in Fig. 4b, the exterior of the base and medial sections 8, 9 of each traction element 6 has substantially engaged with a corresponding recess 36 on base 30 to retain grass blades 62 between the cleat and the shoe in a non-planar engagement. However, the third set of facets 26, 28 disposed on the distal sections 10 of the traction elements remain separated from the second set of

facets 42, 44 of the recesses due to the distal sections extending at obtuse angles from their medial sections 9.

Optionally, the cleat may be configured to provide an enhanced cushioning effect, where the traction elements further deflect from the position in Fig. 4b to the position in Fig. 4c. Referring to Fig. 4c, the cushion effect is realized when sufficient force is applied to the cleat to pivot each distal section 10 slightly with respect to its medial section 9 in a direction toward the recess such that facets 26, 28 of the traction element engage with exposed portions of facets 42, 44 of the recess. In other words, the traction elements are resiliently flexible enough to absorb some of the force applied by the shoe by further deflecting toward the shoe sole until the top surface 13 of each foot 12 engages the bottom surface 32 of the base 30.

As is evident from Figs. 4b and 4c, the crimping or bending of grass blades, which is caused by the deflecting action of the traction elements, results in a non-planar frictional locking engagement of the grass blades by the cleat thus providing enhanced traction to the shoe. This locking engagement is removed upon lifting of the shoe from the turf surface, thereby removing the deflecting forces and resulting in return of the traction elements to their initial or original positions and release of grass blades trapped by the cleat.

The curved interior surface portions 16 of the traction elements provide a soft engaging contour for grass blades disposed between the traction elements when the cleat contacts the turf surface. Additionally, the curved, convex bottom surfaces of the feet 12 minimize or prevent penetration of the feet into the turf during contact. The curvature of the bottom surfaces may be selected to permit the traction elements to slide along rather than dig into or penetrate the turf surface when the shoe is brought down upon the turf. This is a significant improvement over other cleats known in the art that have substantially planar bottom turf engaging surfaces that penetrate the turf. The convex bottom surfaces of the feet further facilitate easy sliding and deflection of the traction elements on hard surfaces (e.g., concrete or asphalt) while minimizing wear and tear of the cleat on such surfaces.

The crimping or bending of grass blades by the cleat to achieve a non-planar engaging surface of the grass blades between the traction elements and the base/sole of the shoe can be achieved by a variety of other cleat embodiments in accordance with the present invention. Alternative cleat and base/shoe sole embodiments include, without limitation, providing multifaceted exterior surfaces for the traction elements

that engage with smooth concave recesses or convex surfaces, providing smooth exterior surfaces for the traction elements that engage with multifaceted recesses, and providing multifaceted exterior surfaces for the traction elements that engage with substantially smooth and non-planar base or shoe sole surfaces. Basically, any combination of exterior traction element surface and corresponding base or shoe sole surface that provides a non-planar contact or engaging area for trapping and securing blades of grass during contact of a cleat with a turf surface is contemplated in accordance with the present invention.

Some examples of alternative embodiments that provide a non-planar engaging geometry between the traction elements and the base or shoe sole are illustrated in Figs. 5-9. In the embodiment of Fig. 5, a cleat 100 is depicted with traction elements 106 having exterior surface portions 114 substantially similar in geometric configuration to the traction elements for the previous embodiment described above and illustrated in Figs. 1-3. However, there are no corresponding recesses provided in the base or shoe sole 130. In this embodiment, a crimping or bending of grass blades 162 is realized upon sufficient deflection of the traction elements 106 against cushion-like base or shoe sole 130 such that a portion of the multifaceted exterior surface 114 of each traction element forms a slight resilient indentation in the surface of the base or sole. The base or sole 130 preferably includes an engaging surface 132 constructed of a suitable flexible and resilient material that easily accommodates such indentations caused by the deflecting traction elements and returns to an original relaxed position upon separation of the traction elements from the engaging surface 132.

The cleat embodiment 200 of Fig. 6 is substantially similar to the embodiment described above and illustrated in Figs. 1-3, except that the recesses 236 of the base or sole 230 are substantially smooth and concave rather than multifaceted. The grass blades 262 are still crimped as they are pressed against recesses 236 by traction elements 206.

In the cleat embodiment of Fig. 7, cleat 300 includes traction elements 306 that are substantially similar to the traction elements disclosed in the McMullin '641 patent and have exterior surface portions 316 that are generally smooth rather than having multiple facets. Each traction element 306 includes a base section 308 extending at an obtuse angle from a hub 307 and a distal section 310 extending at an obtuse angle from the base section and terminating at a foot 312. The exterior surface

portions of each of the base and distal sections are configured with a generally planar tetragonal geometry. The base or shoe sole 330 includes multifaceted recesses 336 that are similar to the recesses described above and illustrated in Figs. 1 and 2. When the traction elements 306 deflect into the recesses 336, grass blades 362 which are trapped in the recesses are crimped and locked at engaging locations where the exterior surface portions 314 of the traction elements contact the multiple facets of the recesses.

The cleat embodiment 400 of Fig. 8 is substantially similar to Fig. 7, except that the recesses 436 on the base or shoe sole 430 have smooth and concave surfaces instead of multifaceted surfaces. The grass blades 462 are still crimped upon deflection of the traction elements 406 into the recesses 436, because the grass blades 462 are forced by the traction elements against the non-planar contour of the recesses.

The cleat embodiment 500 of Fig. 9 is similar to the embodiment described above and illustrated in Figs. 1-3, with the traction elements 506 including multifaceted exterior surface portions 514 and the base or shoe sole 530 including multifaceted recesses 536. However, rather than having base, medial and distal sections extending at obtuse angles from each other, each of the traction elements includes a single section 508 extending from hub 507 to a foot 512. As is evident from Fig. 9, crimping of grass blades 562 is still accomplished in this embodiment when the traction elements 506 are deflected up into corresponding recesses 536.

In all of the embodiments described herein, the feet (12, 312, 512, etc.) of the traction elements have a smoothly (i.e., uninterrupted by edges, corners, etc.) contoured convex configuration to facilitate sliding of the feet along a surface such as a golf green as the traction elements are flexed outwardly under the weight of the wearer of the golf shoe. This feature eliminates any penetrating, puncturing or indenting of the green by the traction element feet.

Having described preferred embodiments of shoe cleats with improved traction, it is believed that other modifications, variations and changes will be suggested to those skilled in the art in view of the teachings set forth herein. It is therefore to be understood that all such variations, modifications and changes are believed to fall within the scope of the present invention as defined by the appended claims. Although specific terms are employed herein, they are used in a generic and descriptive sense only and not for purposes of limitation.

What is Claimed is:

1. A cleat securable to a sole of a shoe for providing traction for the shoe on a turf surface including blades of grass extending from the turf surface, the cleat comprising:

5 a hub with an exposed surface facing away from the shoe sole when the cleat is secured to the shoe and at least one resiliently flexible traction element extending from the hub in a direction away from the exposed surface of the hub;

10 wherein the traction element is resiliently deflectable toward the shoe sole when the shoe is forced against the turf surface and is configured to engage and secure grass blades in a non-planar engaging area disposed between the traction element and the shoe when the traction element is deflected toward the shoe sole.

2. The cleat of claim 1, wherein the engaging surface area is defined by a geometric configuration selected from the group consisting of a curved geometry, a multifaceted geometry, and combinations thereof.

3. The cleat of claim 2, wherein the engaging surface area is disposed between a non-planar engaging surface portion of the traction element and an engaging portion of the shoe sole.

20 4. The cleat of claim 1, further comprising a base surrounding the hub and including an exposed surface substantially flush with the shoe sole when the cleat is secured to the shoe, wherein the engaging surface area is disposed between an engaging surface portion of the traction element and an exposed surface portion of the base.

5. The cleat of claim 4, wherein the exposed surface portion of the base includes a recess to receive at least part of the engaging surface portion of the traction element when the traction element deflects toward the shoe sole.

30 6. The cleat of claim 5, wherein the engaging surface portion of the traction element is non-planar and includes a geometry selected from the group consisting of at least one curved surface, a plurality of multifaceted surfaces, and combinations thereof.

7. The cleat of claim 6, wherein a geometry of the recess at least partially corresponds with the geometry of the engaging surface portion of the traction element.

5

8. The cleat of claim 5, wherein the engaging surface portion of the traction element is substantially planar and the geometry of the recess is selected from the group consisting of at least one curved surface, a plurality of multifaceted surfaces, and combinations thereof.

10

9. The cleat of claim 1, wherein the at least one traction element comprises a plurality of traction elements.

10. The cleat of claim 9, wherein the traction elements are disposed along a perimeter of the hub and deflect in a direction away from a center of the hub, each traction element including a substantially smooth interior surface portion facing the hub center.

15

11. The cleat of claim 10, wherein the interior surface portion of each traction element is concave and the combined interior surface portions at least partially define a parabolic surface.

20

12. The cleat of claim 1, wherein the traction element includes a foot disposed at a distal end of the traction element and having an exposed surface to engage the turf surface when the shoe is forced against the turf surface.

25

13. The cleat of claim 12, wherein the exposed surface of the foot is substantially convex.

14. The cleat of claim 1, wherein the traction element is further configured to crimp the grass blade upon being deflected toward the shoe sole.

30

15. A shoe for providing traction on a turf surface including blades of grass extending from the turf surface, the shoe comprising:
a sole; and

at least one cleat secured to the sole, the cleat comprising a hub with an exposed surface facing away from the sole and at least one resiliently flexible traction element extending from the hub in a direction away from the exposed surface of the hub;

5 wherein the traction element is resiliently deflectable toward the sole when the shoe is forced against the turf surface and is configured to engage and secure grass blades in a non-planar engaging area disposed between the traction element and the sole when the traction element is deflected toward the sole.

10 16. The shoe of claim 15, wherein the cleat includes a base surrounding the hub and disposed within a receptacle of the sole such that an exposed surface of the base is substantially flush with the sole, and the engaging surface area is disposed between the traction element and the exposed surface of the base.

15 17. The shoe of claim 15, wherein the engaging surface area is defined by a geometric configuration selected from the group consisting of a curved geometry, a multifaceted geometry, and combinations thereof.

20 18. The shoe of claim 15, wherein the engaging surface area is defined by a non-planar engaging surface portion of the traction element, the non-planar engaging surface portion including a geometry selected from the group consisting of multifaceted surfaces, a curved surface, and combinations thereof.

25 19. The shoe of claim 18, wherein the sole includes a resiliently flexible portion that engages with the engaging surface portion of the traction element when the traction element is deflected toward the sole such that the flexible portion deforms to substantially correspond with at least part of the non-planar engaging surface portion of the traction element.

30 20. The shoe of claim 18, wherein the sole includes at least one recess aligned to receive at least part of the non-planar engaging surface portion of the traction element when the traction element is deflected toward the sole.

21. The shoe of claim 20, wherein the recess includes a geometry that at least partially corresponds with the geometry of the engaging surface portion of the traction element.

5 22. The shoe of claim 15, wherein the traction element includes a substantially planar engaging surface portion and the sole includes a recess aligned with the traction element to receive at least part of the engaging surface portion when the traction element is deflected toward the sole.

10 23. The shoe of claim 22, wherein the recess includes a geometry selected from the group consisting of a plurality of multifaceted surfaces, at least one curved surface, and combinations thereof.

15 24. The shoe of claim 15, wherein the at least one traction element comprises a plurality of traction elements.

20 25. The shoe of claim 24, wherein the traction elements are disposed along a perimeter of the hub and deflect in a direction away from a center of the hub, each traction element including a substantially smooth interior surface portion facing the hub center.

25 26. The shoe of claim 25, wherein the interior surface portion of each traction element is concave and the combined interior surface portions at least partially define a parabolic surface.

27. The shoe of claim 15, wherein the traction element includes a foot disposed at a distal end of the traction element and having a exposed surface to engage the turf surface when the shoe is forced against the turf surface.

30 28. The shoe of claim 27, wherein the exposed surface of the foot is substantially convex.

29. The shoe of claim 15, wherein the at least one cleat comprises a plurality of cleats secured at selected locations along the sole.

30. The shoe of claim 15, wherein the traction element is further configured to crimp the grass blade within the engaging surface area upon being deflected toward the sole.

5

31. The shoe of claim 15, further comprising:
a connector disposed within a receptacle of the sole; and
wherein the cleat includes a connecting member disposed on a connecting surface of the hub that opposes the hub exposed surface, wherein the connecting member engages with the connector to secure the cleat to the sole.

10

32. A method of providing traction for a shoe on a turf surface including blades of grass utilizing a cleat secured to a sole of the shoe, the cleat including a hub with an exposed surface facing away from the shoe sole and at least one resiliently flexible traction element extending from the hub in a direction away from the hub exposed surface, the method comprising:

15

(a) forcing the shoe against the turf surface; and
(b) in response to the forcing of the shoe against the turf surface, resiliently deflecting the traction element from an initial position toward the sole to engage and secure grass blades in a non-planar engaging area disposed between the traction element and the sole.

20

33. The method of claim 32, further comprising:
(c) removing the shoe from the turf surface; and
(d) in response to removal of the shoe from the turf surface, deflecting the traction element back to the initial position to release the grass blade from the engaging surface area.

25

34. The method of claim 32, wherein the cleat further includes a base disposed within a receptacle of the sole with an exposed surface of the base being substantially flush with the sole, and the engaging surface area is disposed between the traction element and the exposed surface of the base.

30

35. The method of claim 32, wherein the engaging surface area is defined by a geometric configuration selected from the group consisting of a curved geometry, a multifaceted geometry, and combinations thereof.

5 36. The method of claim 32, wherein the engaging surface area is defined by a non-planar engaging surface portion of the traction element, the non-planar engaging surface portion including a geometry selected from the group consisting of multifaceted surfaces, a curved surface, and combinations thereof.

10 37. The method of claim 36, wherein the sole includes a resiliently flexible portion aligned with the engaging surface portion of the traction element, and the method further comprises:

(c) deforming the flexible portion to at least partially correspond with the non-planar engaging surface portion of the traction element upon deflection of the traction element toward the sole.

15

38. The method of claim 36, wherein the sole includes at least one recess aligned with the traction element; and

wherein (b) includes:

20 (b.1) receiving at least part of the non-planar engaging surface portion of the traction element within the recess when the traction element is deflected toward the sole.

25 39. The method of claim 38, wherein the recess includes a geometry that at least partially corresponds with the geometry of the engaging surface portion of the traction element.

40. The method of claim 32, wherein the traction element includes a substantially planar engaging surface portion and the sole includes a recess aligned with the traction element; and

30

wherein (b) includes:

(b.1) receiving at least part of the engaging surface portion of

the traction element within the recess when the traction element is deflected toward the sole.

41. The method of claim 32, wherein the at least one traction element
5 comprises a plurality of traction elements disposed along a perimeter of the hub, each traction element including a substantially smooth interior surface portion facing a center of the hub; and

wherein (b) includes:

(b.1) in response to the forcing of the shoe against the turf surface,
10 deflecting the traction elements toward the sole in a direction away from the hub center.

42. The method of claim 41, further comprising:

(c) contacting blades of grass disposed between traction elements with the
15 smooth interior surface portions of the traction elements.

43. The method of claim 42, wherein the interior surface portion of each traction element is concave and the combined interior surface portions at least partially define a parabolic surface.
20

44. The method of claim 32, wherein the traction element includes a foot disposed at a distal end of the traction element, and the method further comprises:

(c) engaging the turf surface with an exposed surface of the foot when the shoe is forced against the turf surface.
25

45. The method of claim 44, wherein the exposed surface of the foot is substantially convex.

46. The method of claim 32, wherein the at least one cleat comprises a
30 plurality of cleats secured at selected locations along the sole; and

wherein (b) includes:

(b.1) in response to the forcing of the shoe against the turf surface, deflecting the traction elements toward the sole to engage and secure grass blades in

the non-planar engaging surface areas disposed between the traction elements and the sole.

47. The method of claim 32, further comprising:

- 5 (c) crimping the grass blade within the engaging surface area when the traction element is deflected toward the sole.

48. The method of claim 32, wherein the shoe includes a connector disposed within a receptacle of the shoe, the cleat includes a connecting member
10 disposed on a connecting surface of the hub that opposes the hub exposed surface, and the method further comprises:

- (c) securing the cleat to the sole by engaging the connecting member of the cleat with the cleat connector.

49. A cleat securable to a sole of a shoe for providing traction for the shoe
15 on a turf surface including blades of grass extending from the turf surface, the cleat comprising:

a base surface; and

20 a means for securing grass blades in a non-planar engaging area disposed between the means for securing and the shoe sole when the shoe is forced against the turf surface, the means for securing being resiliently and flexibly secured to the base surface.

50. A cleat securable to a sole of a shoe for providing traction for the shoe
25 on a turf surface including blades of grass extending from the turf surface, the cleat comprising:

a hub with an exposed surface facing away from the shoe sole when the cleat is secured to the shoe and at least one resiliently flexible traction element extending away from the hub exposed surface and resiliently deflectable toward the shoe sole
30 when the shoe is forced against the turf surface;

wherein the traction element includes a foot disposed at a distal end of the traction element, the foot including a substantially convex surface to engage the turf surface when the shoe is forced against the turf surface.

51. The cleat of claim 50, wherein the convex surface of the foot includes a suitable curvature to facilitate sliding of the foot along the turf surface when the shoe is forced against the turf surface and the traction element deflects toward the shoe sole.

5

52. A cleat securable to a sole of a shoe for providing traction for the shoe on a turf surface including blades of grass extending from the turf surface, the cleat comprising:

10 a hub with an exposed surface facing away from the shoe sole when the cleat is secured to the shoe and a plurality of resiliently flexible traction elements extending along a perimeter of the hub in a direction away from the hub exposed surface, the traction elements being resiliently deflectable in a direction toward the shoe sole when the shoe is forced against the turf surface;

15 wherein each traction element includes a substantially smooth interior surface portion facing a center of the hub.

53. The cleat of claim 52, wherein the interior surface portion of each traction element is concave and the combined interior surface portions at least partially define a parabolic surface.

AMENDED CLAIMS

Received by the International Bureau on 28 November 2003 (28.11.03);
Original claims 1, 15, 32 and 49 have been amended. Original claims 52 and 53 have
been canceled. Original claims 2-14, 16-31, 33-48, 50 and 51 remain unchanged. New
claims 52-61 have been added.

What is Claimed is:

1. A cleat securable to a sole of a shoe for providing traction for the shoe
on a turf surface including blades of grass extending from the turf surface, the cleat
comprising:

5 a hub with an exposed surface facing away from the shoe sole when the cleat
is secured to the shoe and at least one resiliently flexible traction element extending
from the hub in a direction away from the exposed surface of the hub;

10 wherein the traction element is resiliently deflectable toward the shoe sole
when the shoe is forced against the turf surface and is configured to engage and
secure grass blades in a non-planar engaging surface area disposed between the
traction element and the shoe when the traction element is deflected toward the shoe
sole.

15 2. The cleat of claim 1, wherein the engaging surface area is defined by a
geometric configuration selected from the group consisting of a curved geometry, a
multifaceted geometry, and combinations thereof.

20 3. The cleat of claim 2, wherein the engaging surface area is disposed
between a non-planar engaging surface portion of the traction element and an
engaging portion of the shoe sole.

25 4. The cleat of claim 1, further comprising a base surrounding the hub
and including an exposed surface substantially flush with the shoe sole when the cleat
is secured to the shoe, wherein the engaging surface area is disposed between an
engaging surface portion of the traction element and an exposed surface portion of the
base.

30 5. The cleat of claim 4, wherein the exposed surface portion of the base
includes a recess to receive at least part of the engaging surface portion of the traction
element when the traction element deflects toward the shoe sole.

6. The cleat of claim 5, wherein the engaging surface portion of the
traction element is non-planar and includes a geometry selected from the group

consisting of at least one curved surface, a plurality of multifaceted surfaces, and combinations thereof.

7. The cleat of claim 6, wherein a geometry of the recess at least partially
5 corresponds with the geometry of the engaging surface portion of the traction element.

8. The cleat of claim 5, wherein the engaging surface portion of the
10 traction element is substantially planar and the geometry of the recess is selected from the group consisting of at least one curved surface, a plurality of multifaceted surfaces, and combinations thereof.

9. The cleat of claim 1, wherein the at least one traction element
15 comprises a plurality of traction elements.

10. The cleat of claim 9, wherein the traction elements are disposed along
a perimeter of the hub and deflect in a direction away from a center of the hub, each traction element including a substantially smooth interior surface portion facing the
hub center.

20 11. The cleat of claim 10, wherein the interior surface portion of each traction element is concave and the combined interior surface portions at least partially define a parabolic surface.

25 12. The cleat of claim 1, wherein the traction element includes a foot disposed at a distal end of the traction element and having a exposed surface to engage the turf surface when the shoe is forced against the turf surface.

30 13. The cleat of claim 12, wherein the exposed surface of the foot is substantially convex.

14. The cleat of claim 1, wherein the traction element is further configured to crimp the grass blade upon being deflected toward the shoe sole.

15. A shoe for providing traction on a turf surface including blades of grass extending from the turf surface, the shoe comprising:

a sole; and

at least one cleat secured to the sole, the cleat comprising a hub with an
5 exposed surface facing away from the sole and at least one resiliently flexible traction
element extending from the hub in a direction away from the exposed surface of the
hub;

wherein the traction element is resiliently deflectable toward the sole when
the shoe is forced against the turf surface and is configured to engage and secure grass
10 blades in a non-planar engaging surface area disposed between the traction element
and the sole when the traction element is deflected toward the sole.

16. The shoe of claim 15, wherein the cleat includes a base surrounding
the hub and disposed within a receptacle of the sole such that an exposed surface of
15 the base is substantially flush with the sole, and the engaging surface area is disposed
between the traction element and the exposed surface of the base.

17. The shoe of claim 15, wherein the engaging surface area is defined by
a geometric configuration selected from the group consisting of a curved geometry, a
20 multifaceted geometry, and combinations thereof.

18. The shoe of claim 15, wherein the engaging surface area is defined by
a non-planar engaging surface portion of the traction element, the non-planar
engaging surface portion including a geometry selected from the group consisting of
25 multifaceted surfaces, a curved surface, and combinations thereof.

19. The shoe of claim 18, wherein the sole includes a resiliently flexible
portion that engages with the engaging surface portion of the traction element when
the traction element is deflected toward the sole such that the flexible portion deforms
30 to substantially correspond with at least part of the non-planar engaging surface
portion of the traction element.

20. The shoe of claim 18, wherein the sole includes at least one recess aligned to receive at least part of the non-planar engaging surface portion of the traction element when the traction element is deflected toward the sole.

5 21. The shoe of claim 20, wherein the recess includes a geometry that at least partially corresponds with the geometry of the engaging surface portion of the traction element.

10 22. The shoe of claim 15, wherein the traction element includes a substantially planar engaging surface portion and the sole includes a recess aligned with the traction element to receive at least part of the engaging surface portion when the traction element is deflected toward the sole.

15 23. The shoe of claim 22, wherein the recess includes a geometry selected from the group consisting of a plurality of multifaceted surfaces, at least one curved surface, and combinations thereof.

20 24. The shoe of claim 15, wherein the at least one traction element comprises a plurality of traction elements.

25 25. The shoe of claim 24, wherein the traction elements are disposed along a perimeter of the hub and deflect in a direction away from a center of the hub, each traction element including a substantially smooth interior surface portion facing the hub center.

26. The shoe of claim 25, wherein the interior surface portion of each traction element is concave and the combined interior surface portions at least partially define a parabolic surface.

30 27. The shoe of claim 15, wherein the traction element includes a foot disposed at a distal end of the traction element and having a exposed surface to engage the turf surface when the shoe is forced against the turf surface.

28. The shoe of claim 27, wherein the exposed surface of the foot is substantially convex.

29. The shoe of claim 15, wherein the at least one cleat comprises a plurality of cleats secured at selected locations along the sole.

30. The shoe of claim 15, wherein the traction element is further configured to crimp the grass blade within the engaging surface area upon being deflected toward the sole.

10

31. The shoe of claim 15, further comprising:
a connector disposed within a receptacle of the sole; and
wherein the cleat includes a connecting member disposed on a connecting surface of the hub that opposes the hub exposed surface, wherein the connecting member engages with the connector to secure the cleat to the sole.

32. A method of providing traction for a shoe on a turf surface including blades of grass utilizing a cleat secured to a sole of the shoe, the cleat including a hub with an exposed surface facing away from the shoe sole and at least one resiliently flexible traction element extending from the hub in a direction away from the hub exposed surface, the method comprising:

(a) forcing the shoe against the turf surface; and
(b) in response to the forcing of the shoe against the turf surface, resiliently deflecting the traction element from an initial position toward the sole to engage and secure grass blades in a non-planar engaging surface area disposed between the traction element and the sole.

33. The method of claim 32, further comprising:
(c) removing the shoe from the turf surface; and
(d) in response to removal of the shoe from the turf surface, deflecting the traction element back to the initial position to release the grass blade from the engaging surface area.

34. The method of claim 32, wherein the cleat further includes a base disposed within a receptacle of the sole with an exposed surface of the base being substantially flush with the sole, and the engaging surface area is disposed between the traction element and the exposed surface of the base.

5

35. The method of claim 32, wherein the engaging surface area is defined by a geometric configuration selected from the group consisting of a curved geometry, a multifaceted geometry, and combinations thereof.

10 36. The method of claim 32, wherein the engaging surface area is defined by a non-planar engaging surface portion of the traction element, the non-planar engaging surface portion including a geometry selected from the group consisting of multifaceted surfaces, a curved surface, and combinations thereof.

15 37. The method of claim 36, wherein the sole includes a resiliently flexible portion aligned with the engaging surface portion of the traction element, and the method further comprises:

(c) deforming the flexible portion to at least partially correspond with the non-planar engaging surface portion of the traction element upon deflection of the traction element toward the sole.

20

38. The method of claim 36, wherein the sole includes at least one recess aligned with the traction element; and

wherein (b) includes:

25 (b.1) receiving at least part of the non-planar engaging surface portion of the traction element within the recess when the traction element is deflected toward the sole.

39. The method of claim 38, wherein the recess includes a geometry that at least partially corresponds with the geometry of the engaging surface portion of the traction element.

30

40. The method of claim 32, wherein the traction element includes a substantially planar engaging surface portion and the sole includes a recess aligned with the traction element; and

wherein (b) includes:

5 (b.1) receiving at least part of the engaging surface portion of the traction element within the recess when the traction element is deflected toward the sole.

41. The method of claim 32, wherein the at least one traction element
10 comprises a plurality of traction elements disposed along a perimeter of the hub, each traction element including a substantially smooth interior surface portion facing a center of the hub; and

wherein (b) includes:

15 (b.1) in response to the forcing of the shoe against the turf surface, deflecting the traction elements toward the sole in a direction away from the hub center.

42. The method of claim 41, further comprising:

20 (c) contacting blades of grass disposed between traction elements with the smooth interior surface portions of the traction elements.

43. The method of claim 42, wherein the interior surface portion of each traction element is concave and the combined interior surface portions at least partially define a parabolic surface.

25

44. The method of claim 32, wherein the traction element includes a foot disposed at a distal end of the traction element, and the method further comprises:

(c) engaging the turf surface with an exposed surface of the foot when the shoe is forced against the turf surface.

30

45. The method of claim 44, wherein the exposed surface of the foot is substantially convex.

46. The method of claim 32, wherein the at least one cleat comprises a plurality of cleats secured at selected locations along the sole; and

wherein (b) includes:

5 (b.1) in response to the forcing of the shoe against the turf surface, deflecting the traction elements toward the sole to engage and secure grass blades in the non-planar engaging surface areas disposed between the traction elements and the sole.

47. The method of claim 32, further comprising:

10 (c) crimping the grass blade within the engaging surface area when the traction element is deflected toward the sole.

48. The method of claim 32, wherein the shoe includes a connector disposed within a receptacle of the shoe, the cleat includes a connecting member disposed on a connecting surface of the hub that opposes the hub exposed surface, and the method further comprises:

15 (c) securing the cleat to the sole by engaging the connecting member of the cleat with the cleat connector.

20 49. A cleat securable to a sole of a shoe for providing traction for the shoe on a turf surface including blades of grass extending from the turf surface, the cleat comprising:

a base surface; and

25 a means for securing grass blades in a non-planar engaging surface area disposed between the means for securing and the shoe sole when the shoe is forced against the turf surface, the means for securing being resiliently and flexibly secured to the base surface.

30 50. A cleat securable to a sole of a shoe for providing traction for the shoe on a turf surface including blades of grass extending from the turf surface, the cleat comprising:

a hub with an exposed surface facing away from the shoe sole when the cleat is secured to the shoe and at least one resiliently flexible traction element extending

away from the hub exposed surface and resiliently deflectable toward the shoe sole when the shoe is forced against the turf surface;

wherein the traction element includes a foot disposed at a distal end of the traction element, the foot including a substantially convex surface to engage the turf surface when the shoe is forced against the turf surface.

51. The cleat of claim 50, wherein the convex surface of the foot includes a suitable curvature to facilitate sliding of the foot along the turf surface when the shoe is forced against the turf surface and the traction element deflects toward the shoe sole.

52. The shoe of claim 15, wherein the non-planar engaging surface area is at least partially defined by a non-planar surface of the sole.

53. The method of claim 32, wherein the non-planar engaging surface area is at least partially defined by a non-planar surface of the sole.

54. A cleat securable to a sole of a shoe for providing traction for the shoe on a turf surface, the cleat comprising:

a hub with an exposed surface facing away from the shoe sole when the cleat is secured to the shoe and at least one resiliently flexible traction element extending from the hub in a direction away from the exposed surface of the hub;

wherein the traction element is resiliently deflectable toward the shoe sole and includes a first engaging surface portion that engages a second engaging surface portion disposed on at least one of the shoe sole and the cleat when the shoe is forced against the turf surface, the first engaging surface portion having a non-planar geometry selected from the group consisting of a curved surface, a plurality of multifaceted surfaces, and combinations thereof.

55. A shoe for providing traction on a turf surface, the shoe comprising:
a sole; and

at least one cleat secured to the sole, the cleat comprising a hub with an exposed surface facing away from the sole and at least one resiliently flexible traction

element extending from the hub in a direction away from the exposed surface of the hub;

wherein the traction element is resiliently deflectable toward the shoe sole and includes a first engaging surface portion that engages a second engaging surface portion disposed on at least one of the shoe sole and the cleat when the shoe is forced against the turf surface, and at least one of the first and second engaging surface portions is non-planar.

56. The shoe of claim 55, wherein the cleat includes a base surrounding the hub and disposed within a receptacle of the sole, and the second engaging surface portion is disposed on the base.

57. The shoe of claim 56, wherein the second engaging surface portion includes a recess to receive at least part of the first engaging surface portion.

58. The shoe of claim 55, wherein the second engaging surface portion includes a recess disposed on the shoe sole.

59. The shoe of claim 55, wherein said first engaging surface portion includes a linear intersection of two surfaces.

60. A shoe for providing traction on a turf surface, the shoe comprising:
a sole; and
at least one cleat secured to the sole, the cleat comprising a hub with an exposed surface facing away from the sole and at least one resiliently flexible traction element extending from the hub in a direction away from the exposed surface of the hub;

wherein the traction element is resiliently deflectable toward the shoe sole and includes a first engaging portion that engages a second engaging portion disposed on at least one of the shoe sole and the cleat when the shoe is forced against the turf surface, and a linear intersection is defined by corresponding surfaces of the first and second engaging portions engaging with each other.

61. A shoe for providing traction on a turf surface, the shoe comprising:

a sole; and

at least one cleat secured to the sole, the cleat comprising a hub with an exposed surface facing away from the sole and at least one resiliently flexible traction element extending from the hub in a direction away from the exposed surface of the
5 hub;

wherein the traction element is resiliently deflectable toward the shoe sole and includes a first engaging portion that engages a second engaging portion disposed on at least one of the shoe sole and the cleat when the shoe is forced against the turf surface, and at least one of the first and second engaging portions includes a linear
10 intersection of two surfaces.

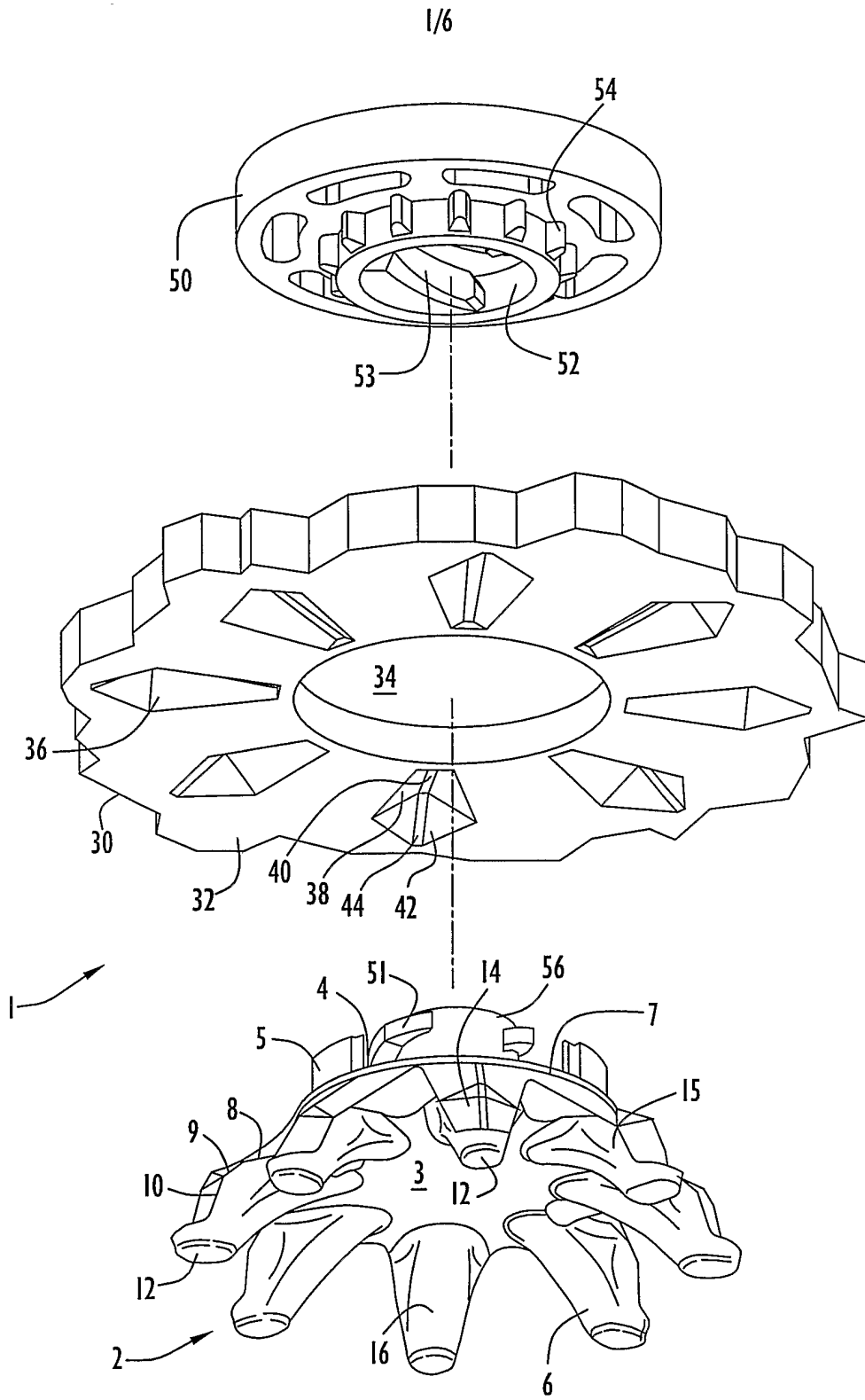


FIG. 1

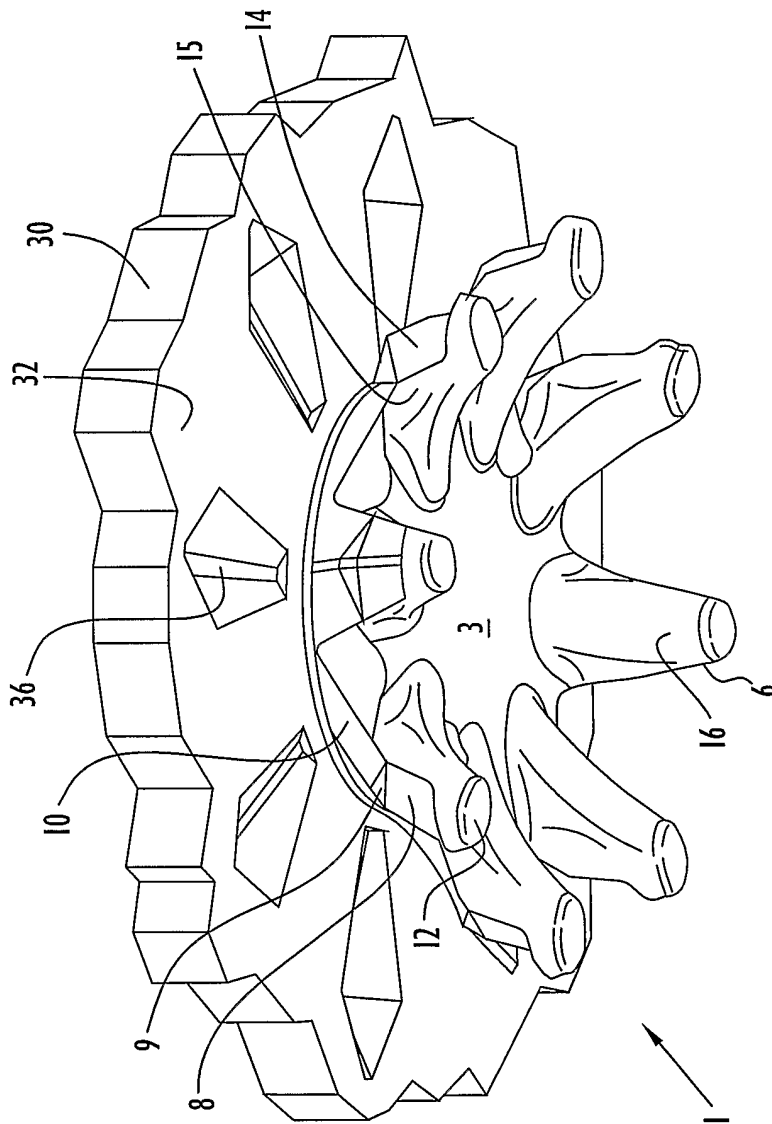
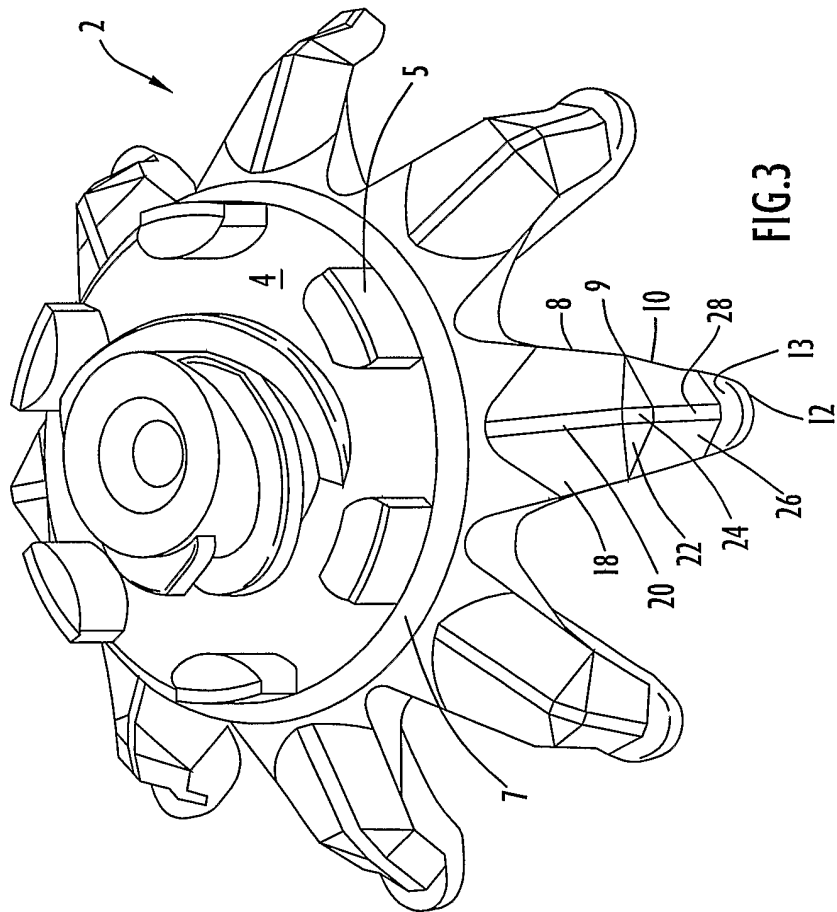


FIG.2



4/6

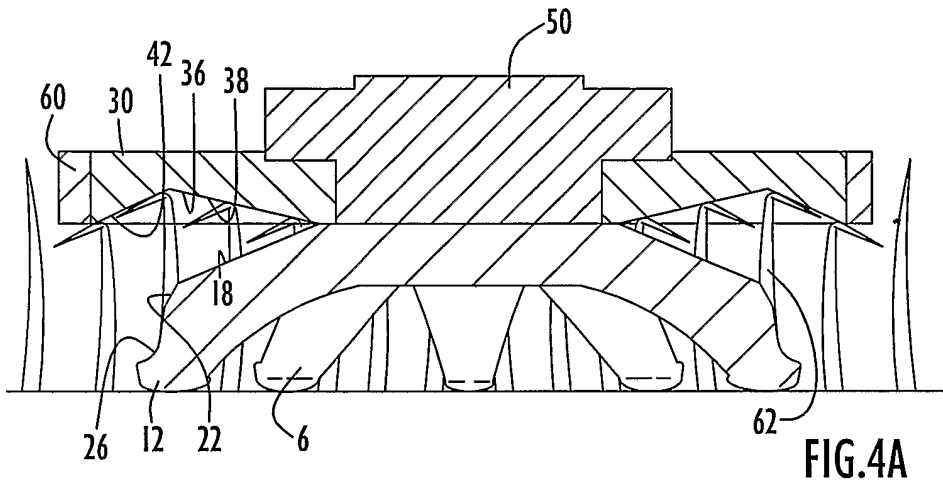


FIG. 4A

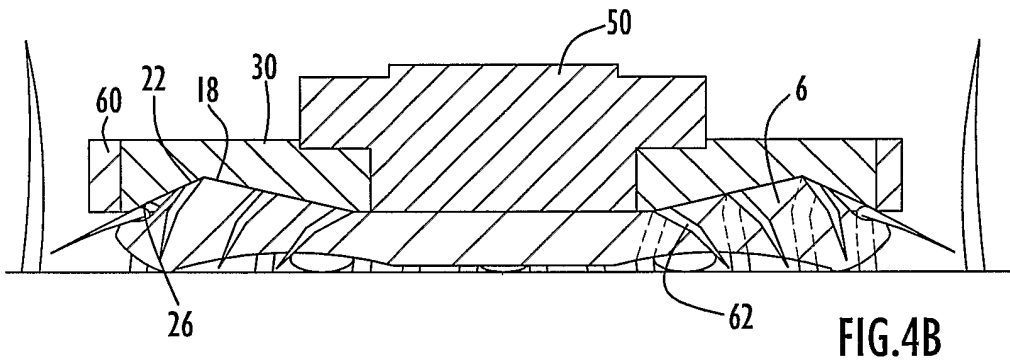


FIG. 4B

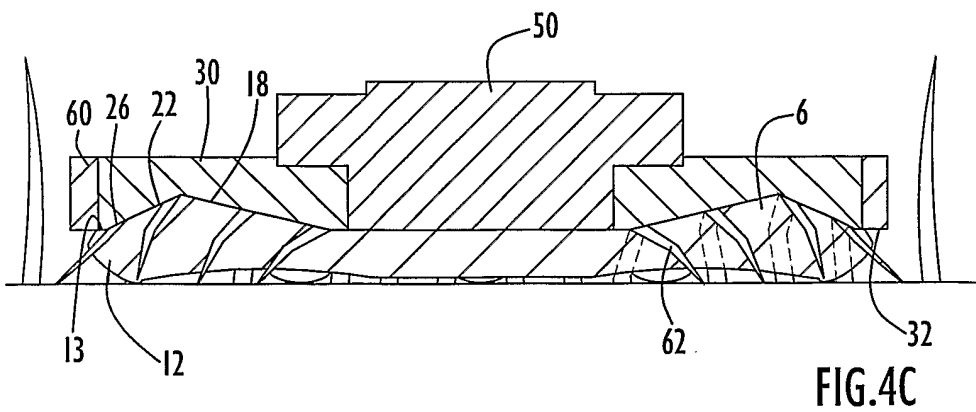


FIG. 4C

5/6

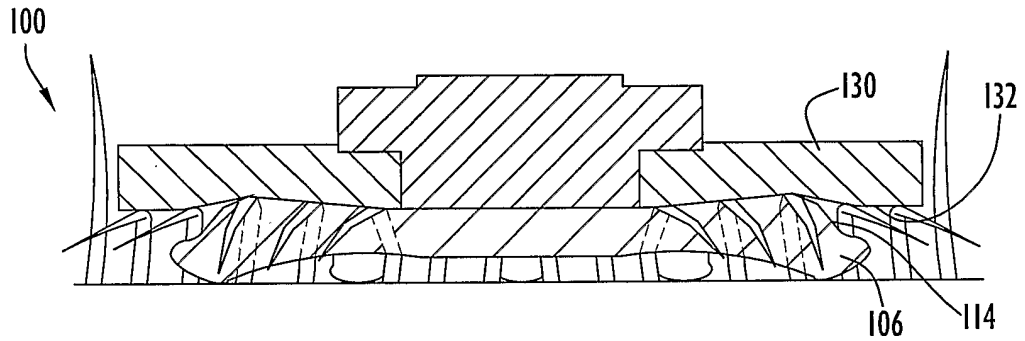


FIG.5

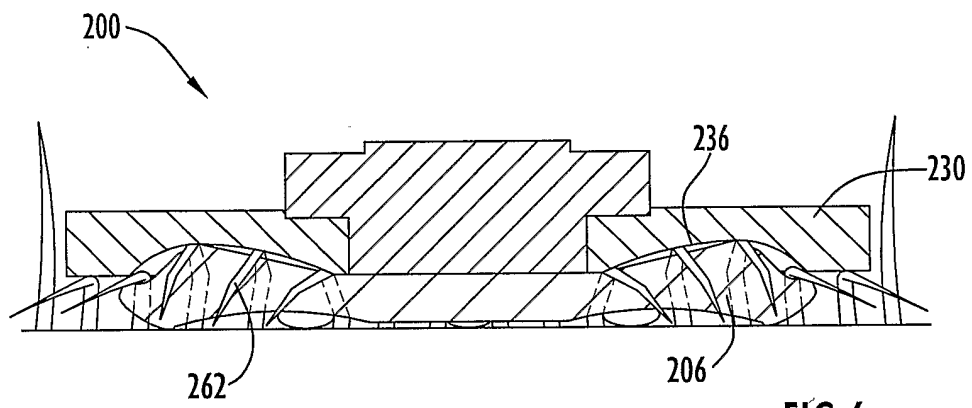


FIG.6

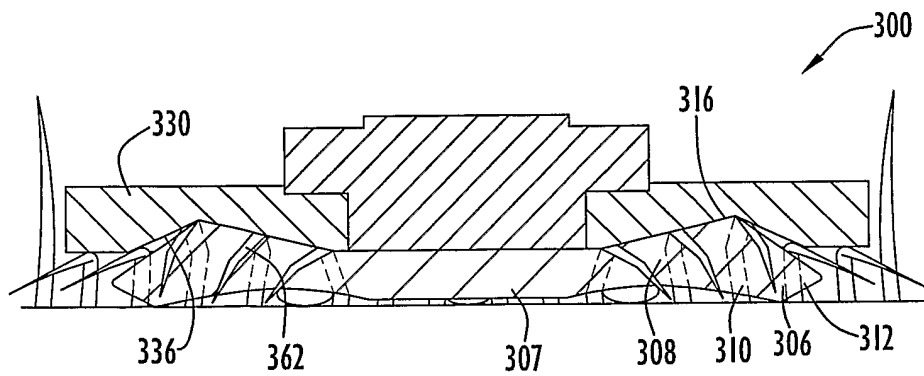
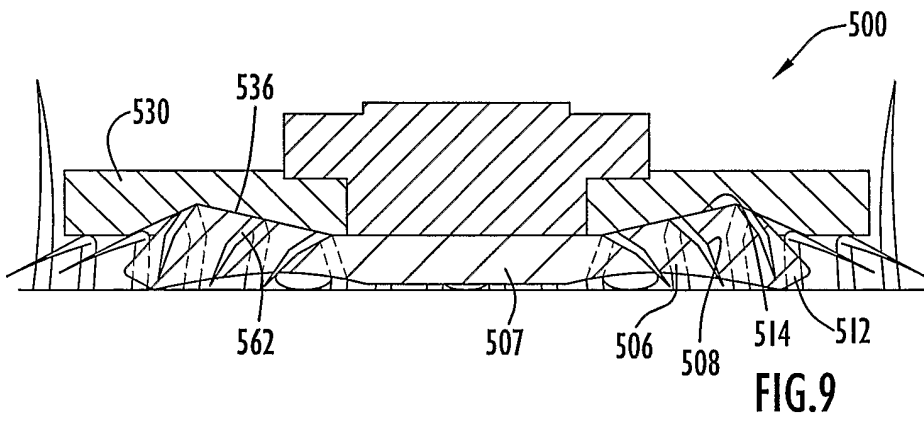
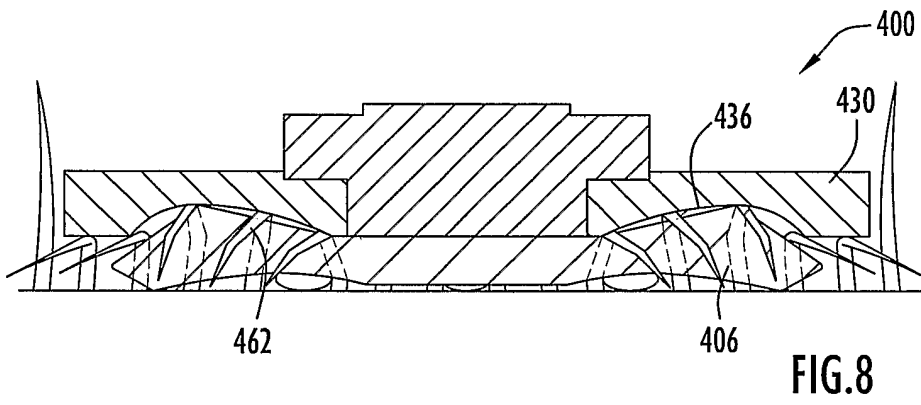


FIG.7



INTERNATIONAL SEARCH REPORT

International application No.

PCT/US03/21951

A. CLASSIFICATION OF SUBJECT MATTER

IPC(7) : B65D 5/00; A43C 15/00, 15/14
 US CL : 36/134, 67A, 62, 59B

According to International Patent Classification (IPC) or to both national classification and IPC

B. FIELDS SEARCHED

Minimum documentation searched (classification system followed by classification symbols)
 U.S. : 36/127, 67D, 67R, 59C

Documentation searched other than minimum documentation to the extent that such documents are included in the fields searched

Electronic data base consulted during the international search (name of data base and, where practicable, search terms used)

C. DOCUMENTS CONSIDERED TO BE RELEVANT

Category *	Citation of document, with indication, where appropriate, of the relevant passages	Relevant to claim No.
X	US 6,305,104 B1 (McMULLIN) 23 October 2001, See the whole document	1-3, 9-12, 14-15, 17-18, 24-27, 29-33, 35-36, 41-44, 46-49, and 52-53
X	US 6,023,860 A (McMULLIN) 15 February 2000, See the whole document	1-3, 9-12, 14-15, 17-18, 24-27, 29-33, 35-36, 41-44, 46-49 and 52-53
X	US 5,887,371 A (CURLEY, Jr.) 30 March 1999, See the whole document	1-3, 9-11, 14-15, 17-18, 24-26, 29-33, 35-36, 41-43, 46-49 and 52-53

Further documents are listed in the continuation of Box C.

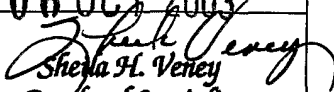
See patent family annex.

* Special categories of cited documents:		"T" later document published after the international filing date or priority date and not in conflict with the application but cited to understand the principle or theory underlying the invention
"A" document defining the general state of the art which is not considered to be of particular relevance		"X" document of particular relevance; the claimed invention cannot be considered novel or cannot be considered to involve an inventive step when the document is taken alone
"E" earlier application or patent published on or after the international filing date		"Y" document of particular relevance; the claimed invention cannot be considered to involve an inventive step when the document is combined with one or more other such documents, such combination being obvious to a person skilled in the art
"L" document which may throw doubts on priority claim(s) or which is cited to establish the publication date of another citation or other special reason (as specified)		"&" document member of the same patent family
"O" document referring to an oral disclosure, use, exhibition or other means		
"P" document published prior to the international filing date but later than the priority date claimed		

Date of the actual completion of the international search

17 September 2003 (17.09.2003)

Date of mailing of the international search report

06 OCT 2003

 Sheila H. Veney
 Paralegal Specialist
 Tech. Center 3700

Name and mailing address of the ISA/US
 Mail Stop PCT, Attn: ISA/US
 Commissioner for Patents
 P.O. Box 1450
 Alexandria, Virginia 22313-1450
 Facsimile No. (703)305-3230

Authorized officer
 Anthony D Stashick
 Telephone No. 703-308-1148