



US00D714949S

(12) **United States Design Patent**
Blough et al.

(10) **Patent No.:** **US D714,949 S**

(45) **Date of Patent:** **** Oct. 7, 2014**

- (54) **UNGULATE POULTICE WRAP**
- (71) Applicant: **The Better Bandage Company,**
Mississauga (CA)
- (72) Inventors: **Chad Eric Blough, Mono (CA); John**
David Rogers, Amaranth (CA); James
Michael Phillips, Mono (CA)

(**) Term: **14 Years**

(21) Appl. No.: **29/466,099**

(22) Filed: **Sep. 4, 2013**

(51) **LOC (10) Cl.** **24-04**

(52) **U.S. Cl.**
USPC **D24/189; D30/146**

(58) **Field of Classification Search**
USPC D30/145, 146, 147, 149; D24/189, 192,
D24/206, 190; 54/82, 65, 79.3, 79.4, 68,
54/80.4; D29/121.1, 120.1; 2/22, 24, 16,
2/455, 242; 482/105, 144; 128/882, 865,
128/878, 879, 881, 892-894, 82.1, 165,
128/362, 37.9, 382, 402, DIG. 15, 783, 8 C,
128/8 R, 87, 82; 602/6, 8, 23, 27-29, 65, 66,
602/75, 92, 2, 44, 76, 78; D2/902, 909,
D2/901, 910-912, 970, 921, 946;
D21/764, 771; 36/111, 83, 104, 110,
36/115, 117.1, 117.5, 140, 7.1 R, 50.5,
36/112, 50.1, 93, 45, 54, 2 R, 2 A; 119/850,
119/876, 856, 857, 863, 865, 816, 126,
119/127; 607/115, 149

See application file for complete search history.

(56) **References Cited**

U.S. PATENT DOCUMENTS

630,310	A *	8/1899	Agnew	168/2
5,209,048	A *	5/1993	Hanson	54/82
D342,790	S *	12/1993	Zona	D24/207
D403,779	S *	1/1999	Davis et al.	D24/206

D407,822	S *	4/1999	Davis et al.	D24/206
D408,923	S *	4/1999	Davis et al.	D24/206
D409,757	S *	5/1999	Davis et al.	D24/206
5,913,883	A *	6/1999	Alexander et al.	607/88
D412,751	S *	8/1999	Davis et al.	D24/206
D417,283	S *	11/1999	Davis et al.	D24/206
D418,606	S *	1/2000	Davis et al.	D24/206
D426,308	S *	6/2000	Negron	D24/189
6,122,901	A *	9/2000	Schultz et al.	54/82
D433,145	S *	10/2000	Davis et al.	D24/206
D437,643	S *	2/2001	Davis	D24/190
D467,006	S *	12/2002	Knight et al.	D24/206
D472,321	S *	3/2003	Davis et al.	D24/206

(Continued)

Primary Examiner — T. Chase Nelson

Assistant Examiner — Michelle E Wilson

(74) *Attorney, Agent, or Firm* — Sutherland Asbill & Brennan LLP

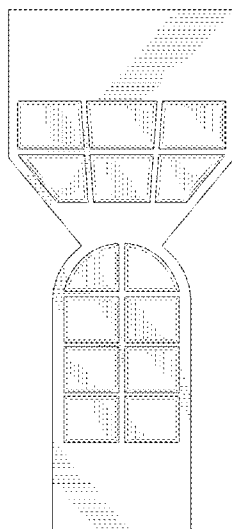
(57) **CLAIM**

The ornamental design for an ungulate poultice wrap, as shown.

DESCRIPTION

- FIG. 1 is a front view of an embodiment of the ungulate poultice wrap;
- FIG. 2 is a rear view of an embodiment of the ungulate poultice wrap;
- FIG. 3 is a first side view of an embodiment of the ungulate poultice wrap;
- FIG. 4 is a second side view of an embodiment of the ungulate poultice wrap;
- FIG. 5 is a top view of an embodiment of the ungulate poultice wrap;
- FIG. 6 is a bottom view of an embodiment of the ungulate poultice wrap;
- FIG. 7 is a first upper perspective view of an embodiment of the ungulate poultice wrap; and,
- FIG. 8 is a second upper perspective view of an embodiment of the ungulate poultice wrap.

1 Claim, 6 Drawing Sheets



US D714,949 S

Page 2

(56)

References Cited

U.S. PATENT DOCUMENTS

D484,986 S *	1/2004	Cipra et al.	D24/206
D581,605 S *	11/2008	Schmucker	D30/146
D633,258 S *	2/2011	Benattar	D30/146
D478,996 S *	8/2003	Pace et al.	D24/206

* cited by examiner

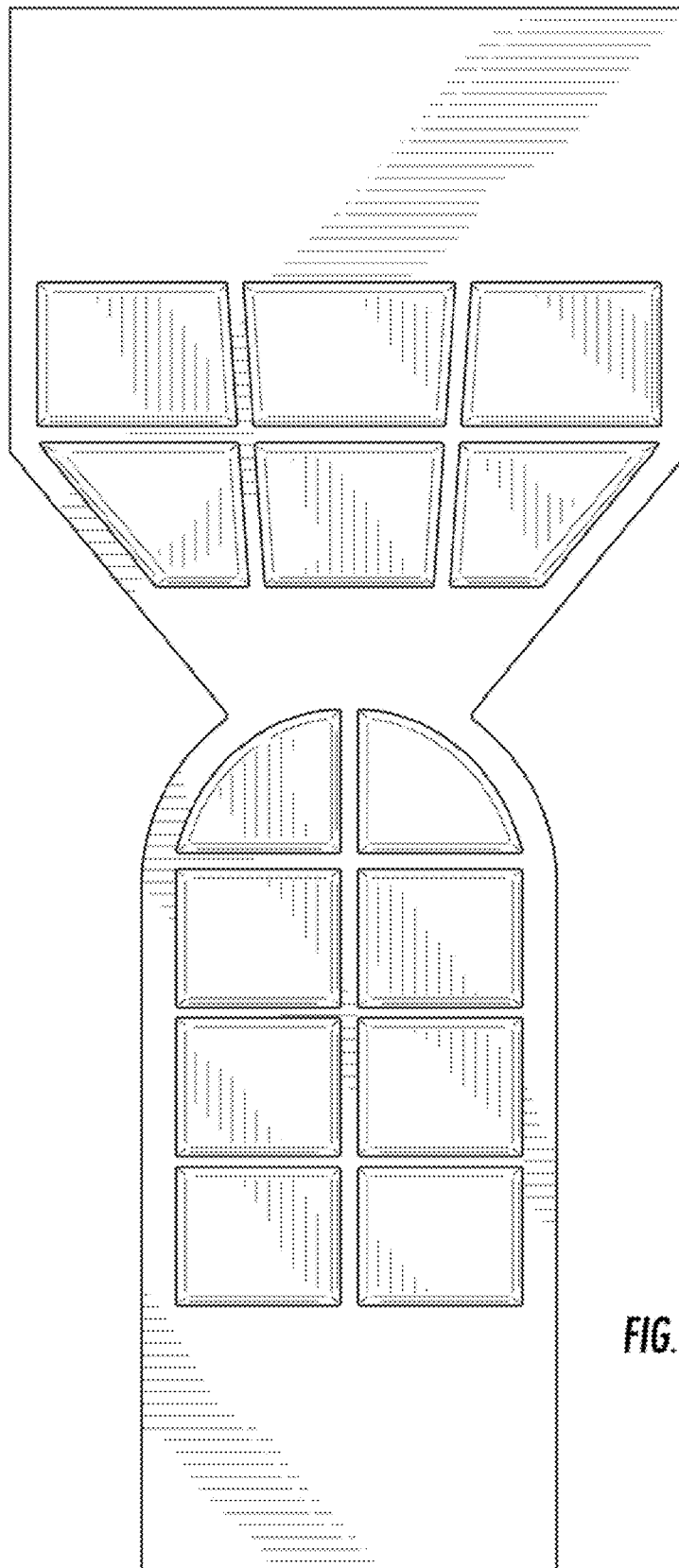


FIG. 1

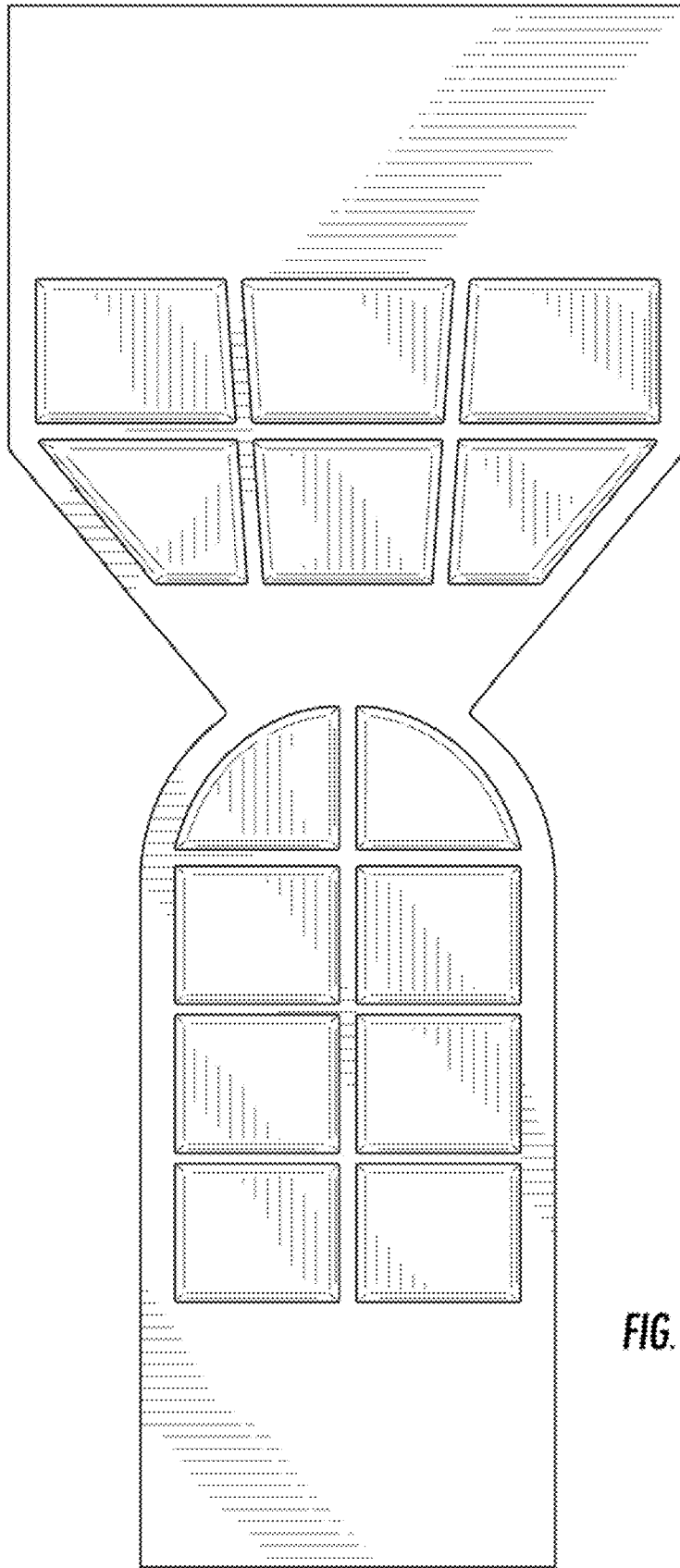


FIG. 2



FIG. 3



FIG. 4

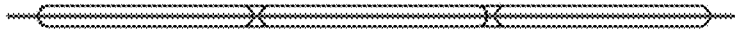


FIG. 5

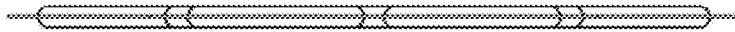


FIG. 6

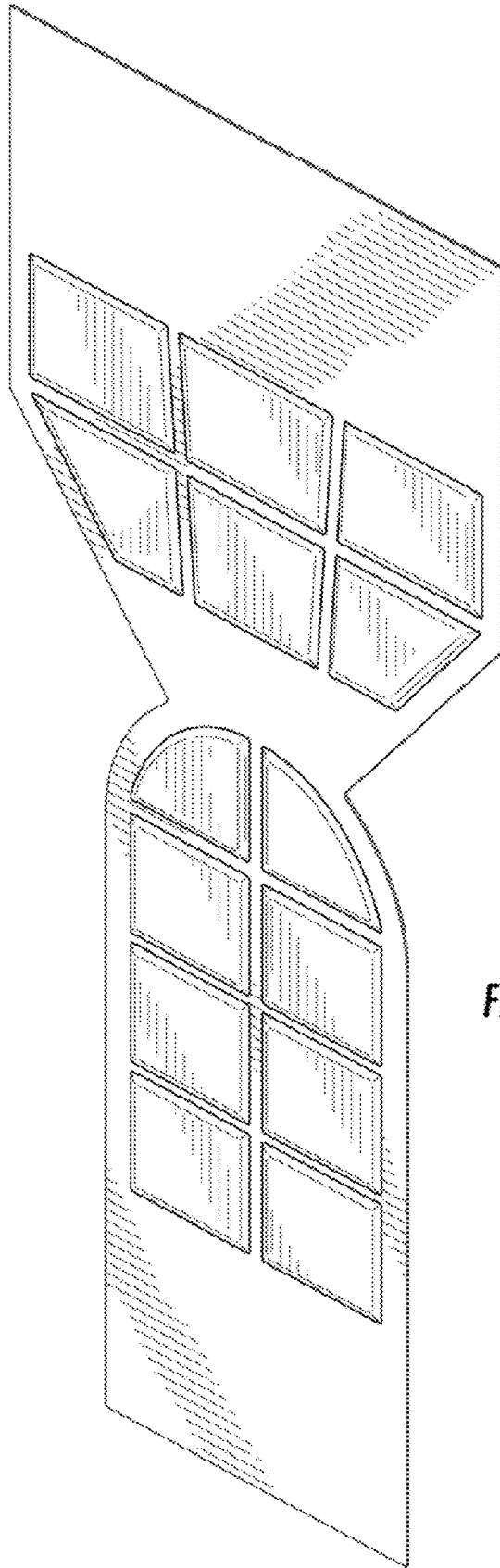


FIG. 7

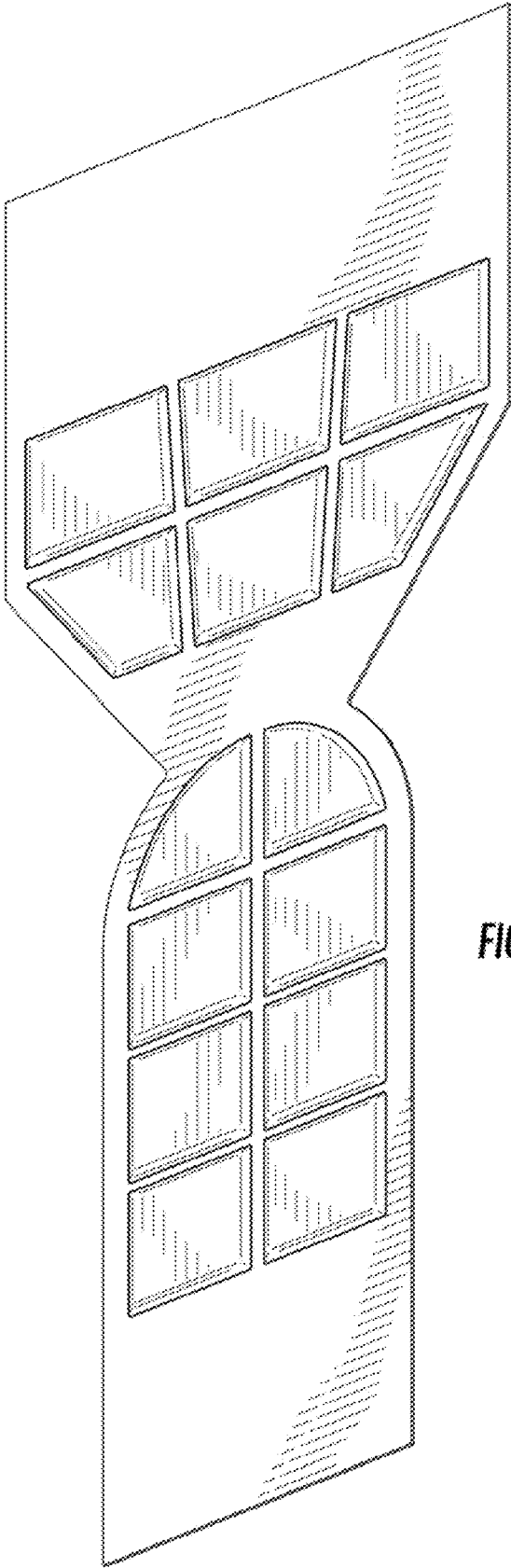


FIG. 8