



US00D763598S

(12) **United States Design Patent**  
**Goodman et al.**

(10) **Patent No.:** **US D763,598 S**

(45) **Date of Patent:** **\*\* Aug. 16, 2016**

(54) **SOAP DISH**

(71) Applicant: **Spectrum Diversified Designs, Inc.**,  
Streestboro, OH (US)

(72) Inventors: **Sheldon H. Goodman**, Solon, OH (US);  
**Phaysouk Xayoiphonh**, Akron, OH (US)

(73) Assignee: **Spectrum Diversified Designs, LLC**,  
Streetsboro, OH (US)

(\*\*) Term: **14 Years**

(21) Appl. No.: **29/518,578**

(22) Filed: **Feb. 25, 2015**

(51) **LOC (10) Cl.** ..... **06-04**

(52) **U.S. Cl.**

USPC ..... **D6/537**; D6/540

(58) **Field of Classification Search**

USPC ..... D6/536-537, 524, 525, 540, 566, 567,  
D6/320; 211/13.1, 74, 71.01, 86.01, 75,  
211/88.01, 90.01, 90.03, 106, 119, 126.1,  
211/133.5, 181.1, 134, 87.01; D3/306;  
D32/55-56; D7/637; 248/206.2-206.3

CPC ..... B23P 17/04; A47K 1/09; A47K 1/08;  
A47K 3/281; F16B 47/00

See application file for complete search history.

(56) **References Cited**

**U.S. PATENT DOCUMENTS**

D322,379 S \* 12/1991 Wirth ..... D6/566  
D327,596 S \* 7/1992 Emery ..... D6/540  
D386,026 S \* 11/1997 von Buelow ..... D6/540  
D449,752 S \* 10/2001 Snell ..... D6/537  
6,478,271 B1 \* 11/2002 Mulholland ..... F16B 47/00  
248/205.8  
D478,443 S \* 8/2003 Clucas ..... D6/537

D532,636 S \* 11/2006 Thorsteinsson ..... D6/540  
D543,403 S \* 5/2007 Tau ..... D6/540  
7,267,308 B1 \* 9/2007 Jenson ..... A47J 47/16  
211/181.1  
D554,407 S \* 11/2007 Thompson ..... D6/537  
D717,068 S \* 11/2014 Callif ..... D6/537  
2003/0010736 A1 \* 1/2003 Hope ..... D06F 58/04  
211/133.5  
2008/0053934 A1 \* 3/2008 Newbould ..... A47B 96/027  
211/90.01

**OTHER PUBLICATIONS**

Spectrum Diversified website, Contempo Suction Soap Dish, Apr. 13, 2016, <http://www.spectrumdiversified.com/products/contempo-suction-soap-dish>.\*

\* cited by examiner

*Primary Examiner* — David Muller

*Assistant Examiner* — Nathan Johnston

(74) *Attorney, Agent, or Firm* — Benesch, Friedlander, Coplan & Aronoff LLP

(57) **CLAIM**

What is claimed is the ornamental design for a soap dish, as shown and described.

**DESCRIPTION**

FIG. 1 is a perspective view of a soap dish showing our new design;

FIG. 2 is a front elevation view thereof;

FIG. 3 is a rear elevation view thereof;

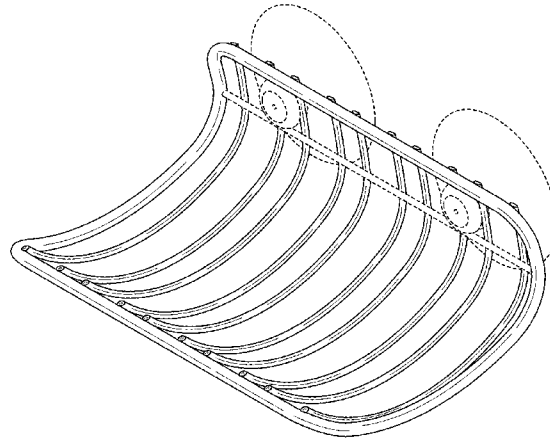
FIG. 4 is a side elevation view thereof;

FIG. 5 is a top plan view thereof; and,

FIG. 6 is a bottom plan view thereof.

The broken line showing of parts of the drawings is included for the purpose of illustrating portions of the soap dish and forms no part of the claimed design.

**1 Claim, 5 Drawing Sheets**



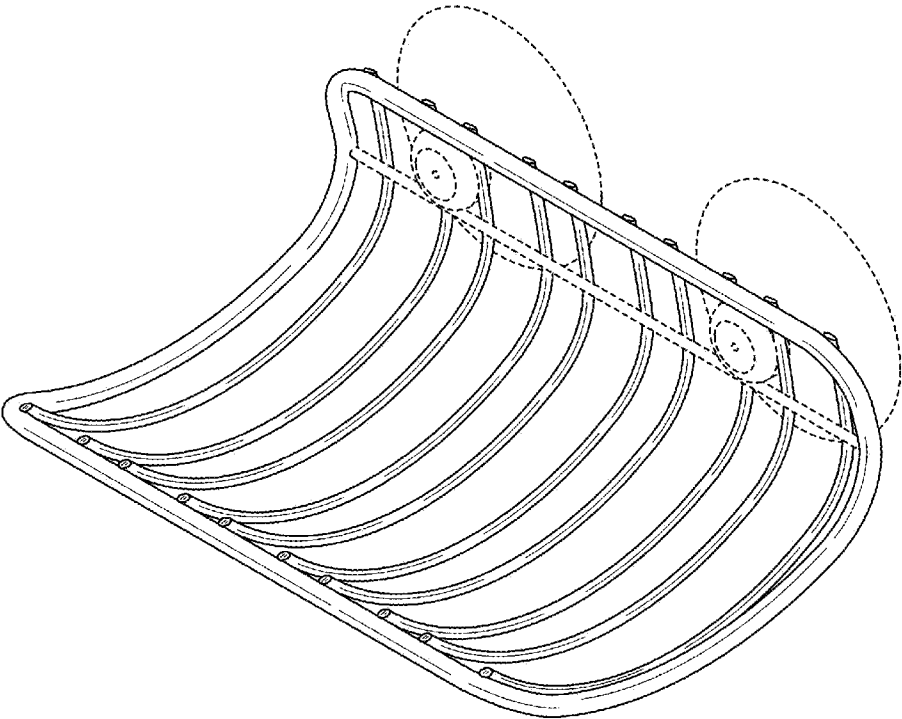


FIG. 1

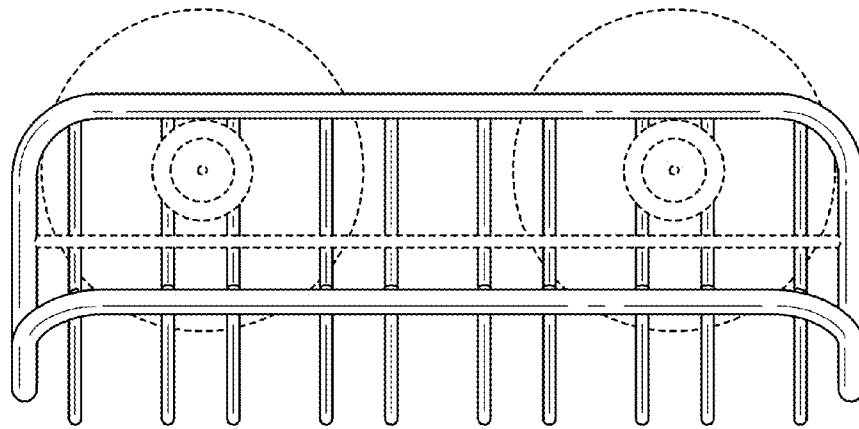


FIG. 2

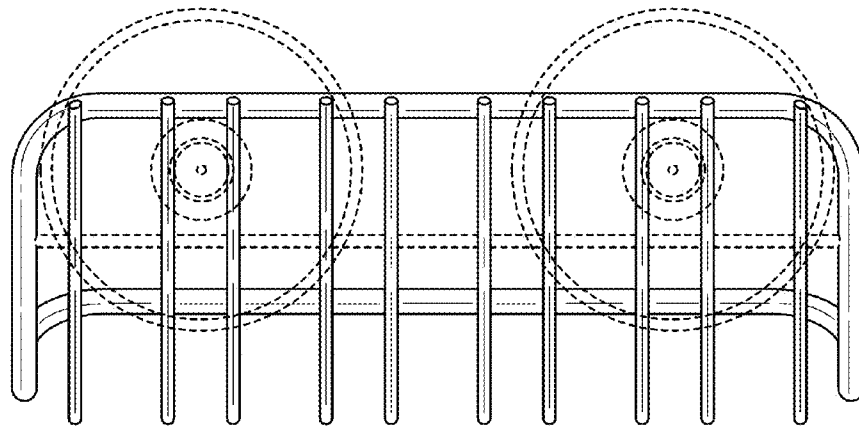


FIG. 3

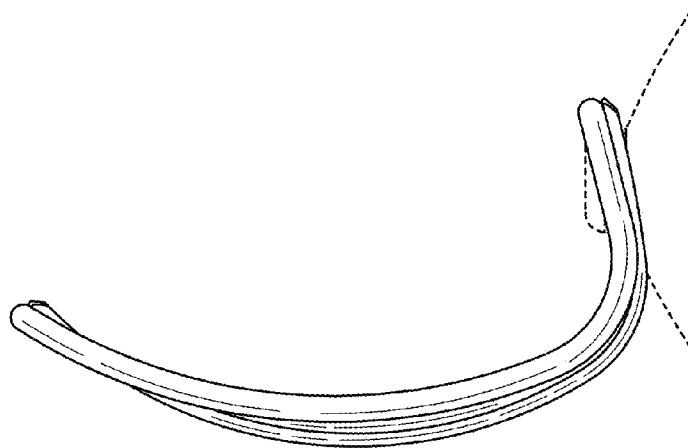


FIG. 4

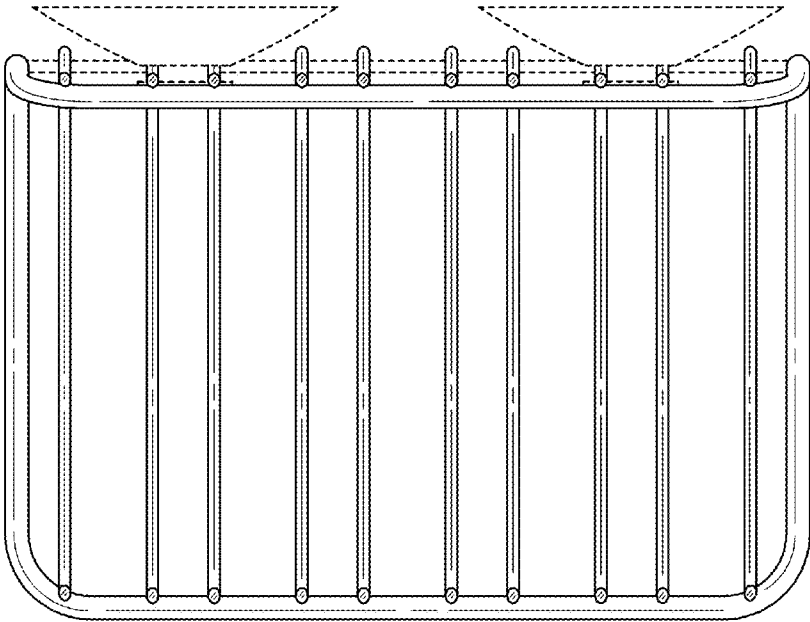


FIG. 5

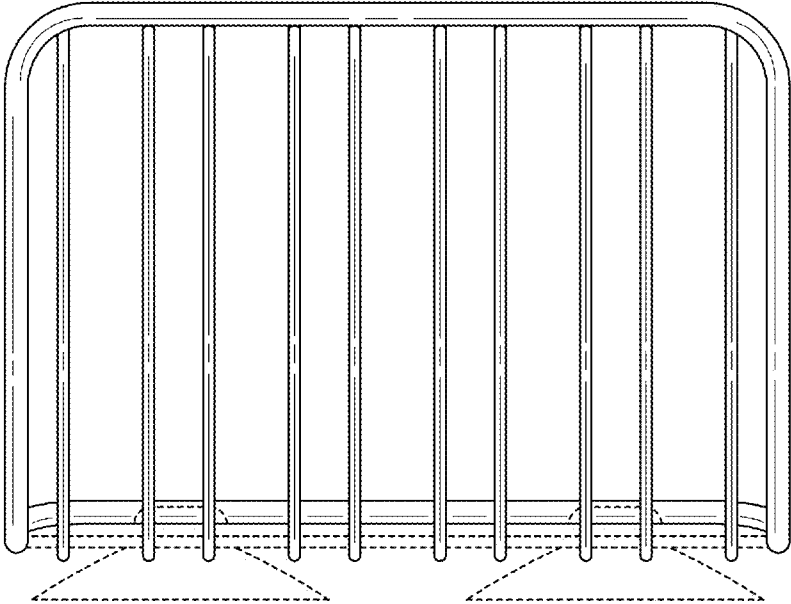


FIG. 6