



US00D665254S

(12) **United States Design Patent**
Miller

(10) **Patent No.:** **US D665,254 S**

(45) **Date of Patent:** **** Aug. 14, 2012**

(54) **AIRWAY DEVICE PACKAGING**

(75) Inventor: **Andrew Miller**, Crowthorne (GB)

(73) Assignees: **Intersurgical AG (LI); Muhammad Aslam Nasir (GB)**

(**) Term: **14 Years**

(21) Appl. No.: **29/407,463**

(22) Filed: **Nov. 29, 2011**

(30) **Foreign Application Priority Data**

Jun. 8, 2011 (EM) 001874918

(51) **LOC (9) Cl.** **09-03**

(52) **U.S. Cl.** **D9/424**

(58) **Field of Classification Search** D9/424,
D9/414, 415, 418, 419, 425, 429, 430, 432,
D9/457, 748, 749; D3/201, 203.1, 203.7,
D3/218; 206/223, 303, 352, 363, 389, 461-471,
206/579, 775, 769, 806; 229/116.1, 406;
D24/227, 231

See application file for complete search history.

(56) **References Cited**

U.S. PATENT DOCUMENTS

2,099,127 A	11/1937	Leech	128/207.15
D210,931 S *	5/1968	Vanat et al.	D9/415
3,734,100 A	5/1973	Walker et al.	128/351
4,509,514 A	4/1985	Brain	128/207.15
D305,000 S *	12/1989	Hernandez	D9/415
4,995,388 A	2/1991	Brain	128/207.15
5,082,112 A *	1/1992	Dunklee	206/363
D325,526 S *	4/1992	Deguchi et al.	D9/415
5,241,956 A	9/1993	Brain	128/207.15
5,249,571 A	10/1993	Brain	128/207.14
5,282,464 A	2/1994	Brain	128/207.15
5,297,547 A	3/1994	Brain	128/207.15
5,303,697 A	4/1994	Brain	128/200.26
5,305,743 A	4/1994	Brain	128/207.15

5,355,879 A	10/1994	Brain	128/207.15
D352,236 S *	11/1994	Althaus	D9/748
5,391,248 A	2/1995	Brain	156/242
5,477,851 A	12/1995	Callaghan et al.	128/207.15
5,584,290 A	12/1996	Brain	128/207.15
5,623,921 A	4/1997	Kinsinger et al.	128/200.26
5,632,271 A	5/1997	Brain	128/207.15
5,655,519 A	8/1997	Alfery	128/200.26
5,682,880 A	11/1997	Brain	128/207.15
D387,983 S *	12/1997	Lanoie	D9/424
5,711,293 A	1/1998	Brain	128/200.24

(Continued)

FOREIGN PATENT DOCUMENTS

CA 1 324 551 11/1993

(Continued)

OTHER PUBLICATIONS

“The Development of the Laryngeal Mask—a Brief History of the Invention, Early Clinical Studies and Experimental Work from Which the Laryngeal Mask Evolved” A.I.J. Brain, European Journal of Anesthesiology, 1991, Supplement 4, pp. 5-17.

Primary Examiner — Derrick Holland

(74) *Attorney, Agent, or Firm* — Hayes Soloway P.C.

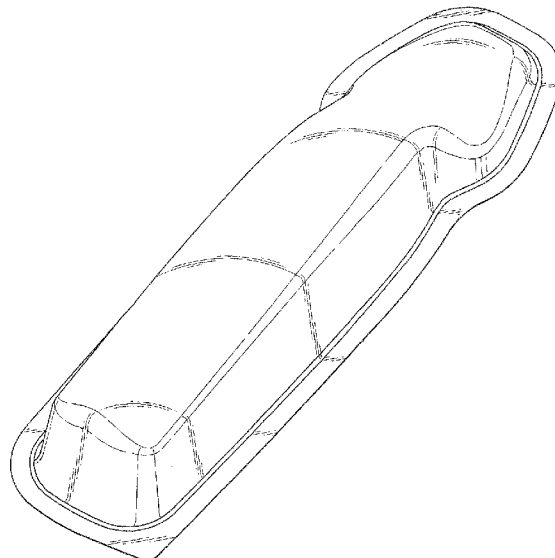
(57) **CLAIM**

The ornamental design for a airway device packaging, as shown and described.

DESCRIPTION

FIG. 1 is a front view of the airway device packaging, showing my new design;
FIG. 2 is a rear elevational view thereof;
FIG. 3 is a side elevational view thereof, the opposite side being a mirror image thereof;
FIG. 4 is a top perspective view thereof;
FIG. 5 is a bottom perspective view thereof; and,
FIG. 6 is a bottom plan view thereof.

1 Claim, 3 Drawing Sheets



US D665,254 S

U.S. PATENT DOCUMENTS

5,772,031	A *	6/1998	Landis	206/438
5,791,341	A	8/1998	Bullard	128/207.15
5,878,745	A	3/1999	Brain	128/207.15
5,881,726	A	3/1999	Neame	128/207.15
5,896,858	A	4/1999	Brain	128/207.15
5,921,988	A	7/1999	Legrand	606/87
5,937,859	A	8/1999	Augustine et al.	128/207.15
5,937,860	A	8/1999	Cook	128/207.15
5,964,217	A	10/1999	Christopher	128/200.26
5,988,167	A	11/1999	Kamen	128/207.15
6,003,514	A	12/1999	Pagan	128/207.15
6,055,984	A	5/2000	Brain	128/207.14
6,070,581	A	6/2000	Augustine et al.	128/207.15
6,079,409	A	6/2000	Brain	128/200.26
D429,811	S	8/2000	Bermudez	D24/110.5
D430,015	S *	8/2000	Humbert et al.	D9/425
6,095,144	A	8/2000	Pagan	128/207.15
6,152,136	A	11/2000	Pagan	128/207.15
6,280,675	B1	8/2001	Legrand	264/262
D448,283	S *	9/2001	Chapman	D9/415
6,318,367	B1	11/2001	Mongeon	128/207.15
6,439,232	B1	8/2002	Brain	128/207.15
6,474,332	B2	11/2002	Arndt	128/200.26
6,604,525	B2	8/2003	Pagan	128/207.15
6,631,720	B1	10/2003	Brain	128/207.14
6,679,263	B2	1/2004	Luchetti et al.	128/207.15
6,698,430	B2	3/2004	Van Landuyt	128/207.15
6,705,318	B1	3/2004	Brain	128/207.14
6,792,948	B2	9/2004	Brain	128/207.14
6,918,388	B2	7/2005	Brain	128/200.26
D518,572	S	4/2006	Nasir	D24/110.5
D518,890	S	4/2006	Nasir	D24/110.5
7,040,312	B2	5/2006	Alfery et al.	128/200.26
D525,118	S *	7/2006	Mentasti	D9/415
D536,609	S *	2/2007	Moskovich et al.	D9/415
7,263,998	B2	9/2007	Miller	128/207.15
D574,704	S *	8/2008	Senter	D9/424
D606,856	S *	12/2009	Ginsberg et al.	D9/424
D611,138	S	3/2010	Nasir	D24/110.5
D615,188	S	5/2010	Nasir	D24/110.5
7,806,119	B2	10/2010	Nasir	128/205.25
2001/0015207	A1	8/2001	Pagan	128/207.15
2002/0010417	A1	1/2002	Bertram	604/96.01
2002/0078961	A1	6/2002	Collins	128/207.15
2002/0112728	A1	8/2002	Landuyt	128/207.15
2002/0170556	A1	11/2002	Gaitini	128/200.14
2003/0037790	A1	2/2003	Brain	128/207.14
2003/0066532	A1	4/2003	Gobel	128/207.15
2003/0101998	A1	6/2003	Zocca et al.	128/207.15
2003/0136413	A1	7/2003	Brain et al.	128/207.15
2003/0172925	A1	9/2003	Zocca et al.	128/202.22
2003/0172933	A1	9/2003	Nimmo	128/207.14
2004/0020488	A1	2/2004	Kniewasser	128/204.18
2004/0020491	A1	2/2004	Fortuna	128/207.15
2005/0051173	A1	3/2005	Brain	128/207.14
2005/0051175	A1	3/2005	Brain	128/207.14

2005/0066975	A1	3/2005	Brain	128/207.15
2005/0103345	A1	5/2005	Brain	128/207.15
2006/0081245	A1	4/2006	Gould	128/200.26

FOREIGN PATENT DOCUMENTS

CA	2 191 749	12/1995
CA	2 346 248	4/2000
CN	1 166 138	11/1997
CN	1 236 323	11/1999
CN	1 351 509	5/2002
DE	42 33 933	4/1993
DE	43 30 032	4/1994
DE	43 30 032	7/1994
DE	195 00 550	7/1996
DE	299 02 267	7/1999
DE	201 00 176	5/2001
DE	202 06 692	8/2002
EP	0 277 797	8/1988
EP	0 389 272	9/1990
EP	0 448 878	10/1991
EP	0 794 807	9/1997
EP	0 834 331	8/1998
EP	0 857 492	8/1998
EP	0 911 049	4/1999
EP	0 935 971	8/1999
EP	1 125 595	8/2001
ES	1 046 206	1/2000
FR	2 094 264	1/1972
FR	2 690 018	10/1993
FR	2 760 186	9/1998
FR	2 807 307	10/2001
FR	2 827 482	1/2003
FR	2 851 107	8/2004
GB	2 113 348	8/1983
GB	2 128 561	5/1984
GB	2 168 256	6/1986
GB	2 249 959	5/1992
GB	2 267 034	11/1993
GB	2 285 765	7/1995
GB	2 317 342	3/1998
GB	2 337 020	11/1999
GB	2 359 996	9/2001
GB	2 364 644	2/2002
GB	2 373 188	9/2002
GB	2 393 399	3/2004
GB	2 404 863	2/2005
IE	922073	12/1993
IT	1224077	9/1990
TW	224047	11/2004
WO	WO 94/17848	8/1994
WO	WO 98/06276	2/1998
WO	WO 98/50096	11/1998
WO	WO 99/24101	5/1999
WO	WO 00/30706	6/1999
WO	WO 00/61213	10/2000
WO	WO 0197890	12/2001
WO	WO 02/32490	4/2002
WO	WO 2004/016308	2/2004

* cited by examiner

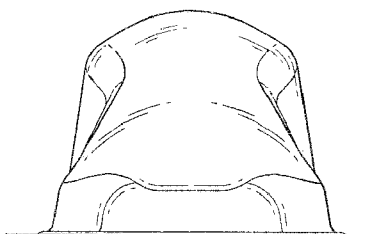


FIG. 1

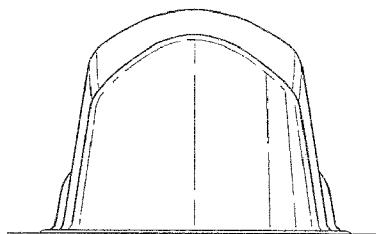


FIG. 2

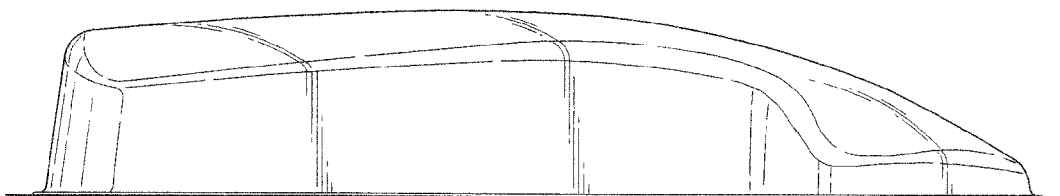


FIG. 3

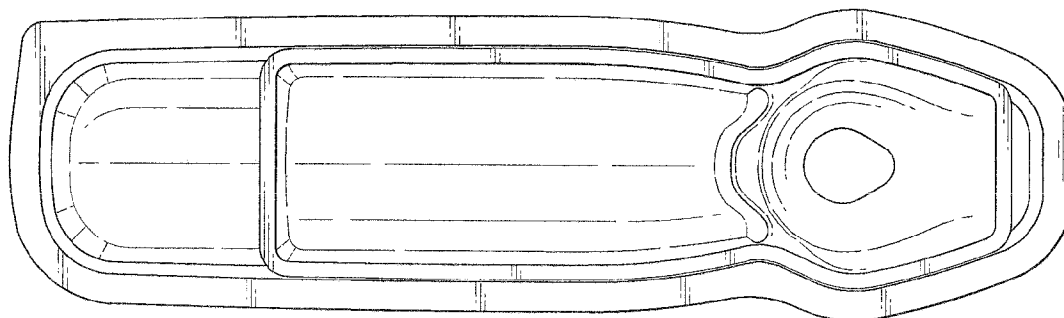


FIG. 6

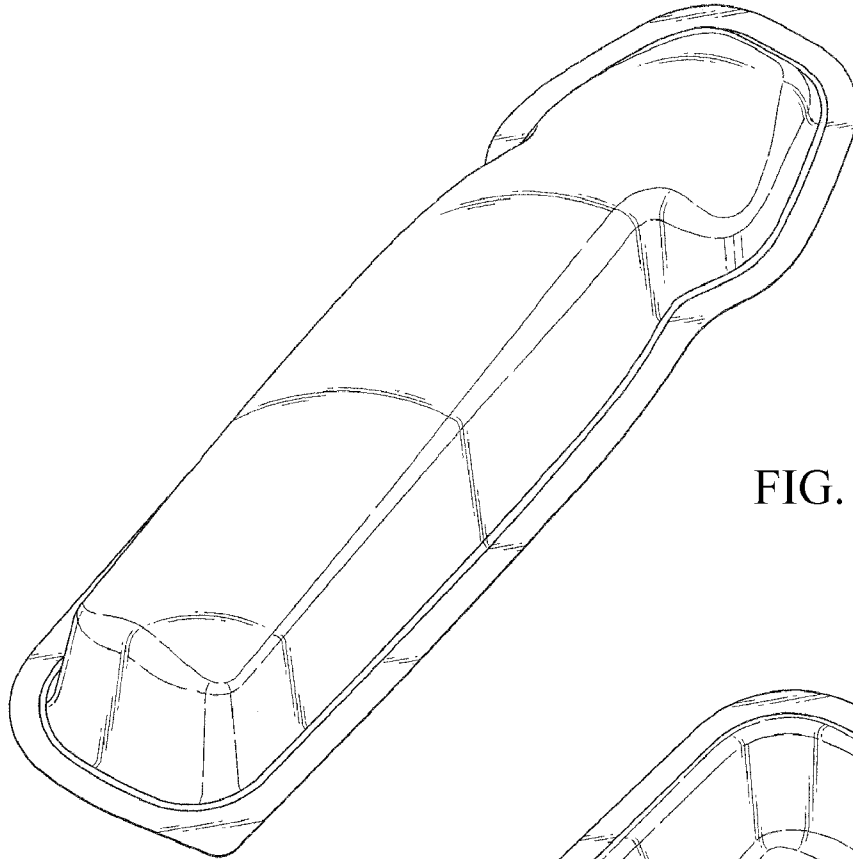


FIG. 4

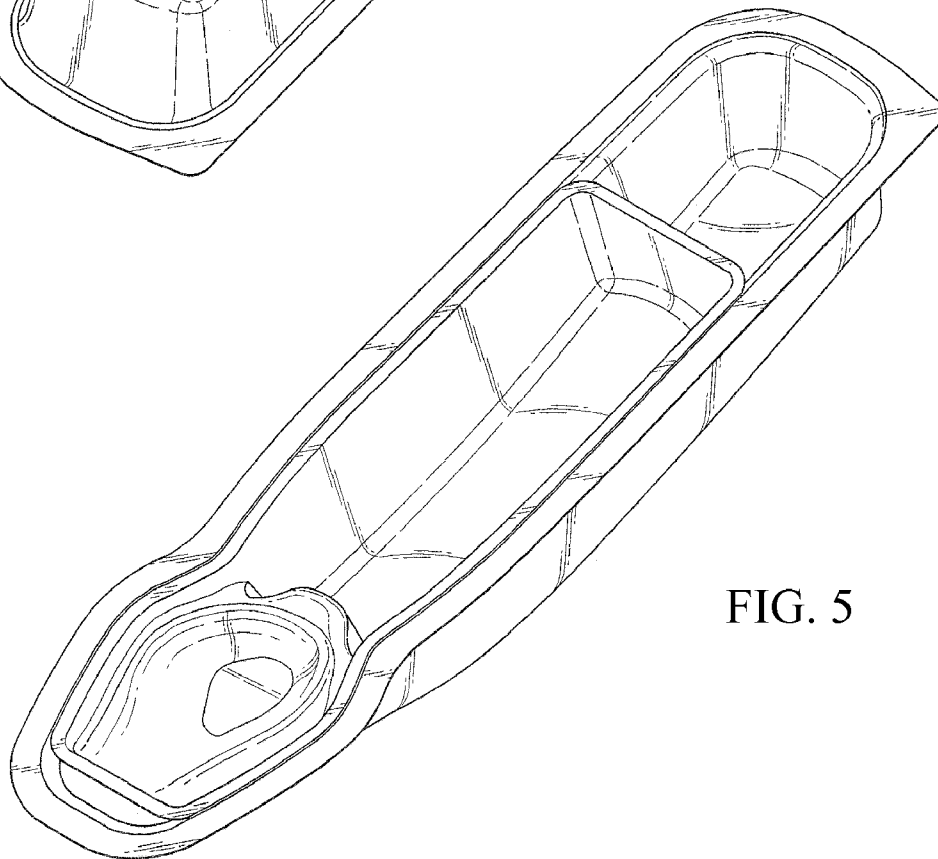


FIG. 5

UNITED STATES PATENT AND TRADEMARK OFFICE
CERTIFICATE OF CORRECTION

PATENT NO. : D665,254 S
APPLICATION NO. : 29/407463
DATED : August 14, 2012
INVENTOR(S) : Miller

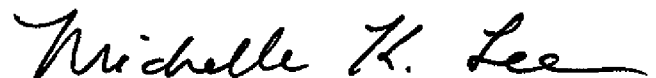
Page 1 of 1

It is certified that error appears in the above-identified patent and that said Letters Patent is hereby corrected as shown below:

On the title page Item [73] should be:

Item [73] Assignees: Intersurgical AG (LI); "Muhammad Aslam Nasir (GB)" to --Muhammed Aslam Nasir (GB)--.

Signed and Sealed this
Twenty-fourth Day of June, 2014



Michelle K. Lee
Deputy Director of the United States Patent and Trademark Office