



US00D378457S

[54] PORTABLE LIFT

4,941,645 7/1990 Hall 254/324

[76] Inventor: **Vernon H. Page**, 15792 SW. 46th Cir., Ocala, Fla. 34473

OTHER PUBLICATIONS

Gantry Crane-Rental Tools and Equipment Catalog.

[**] Term: **14 Years**

Primary Examiner—A. Hugo Word
Assistant Examiner—Robin V. Taylor
Attorney, Agent, or Firm—James A. Hudak

[21] Appl. No.: **42,504**

[22] Filed: **Aug. 11, 1995**

[57] CLAIM

[52] U.S. Cl. **D34/28**

The ornamental design for a portable lift, as shown and described.

[58] Field of Search D34/23, 28, 33, D34/35, 36; 254/324, 143, 45, 2 C, 8 R, 10 R, 124; 212/294, 295, 901, 179, 94; 424/11; 182/2, 152

DESCRIPTION

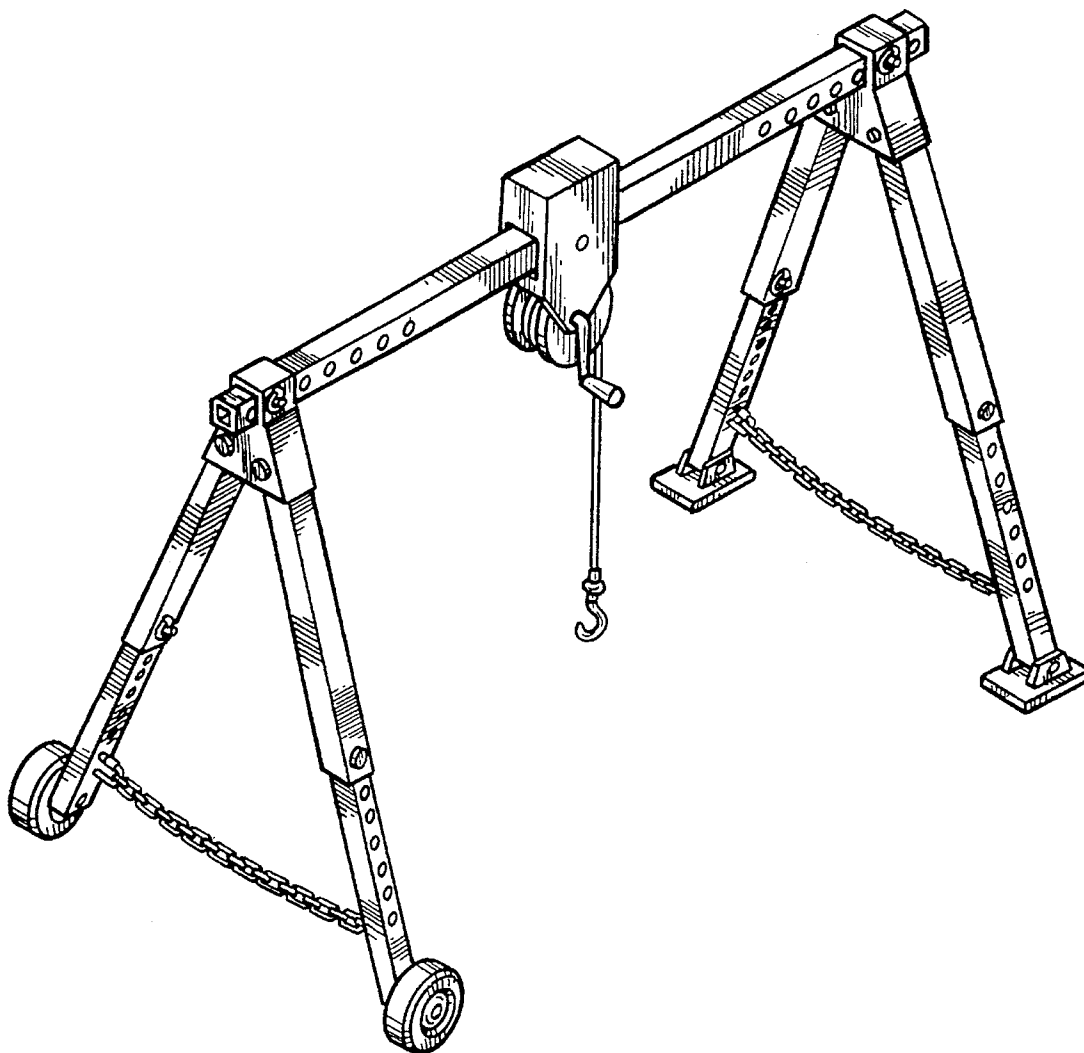
FIG. 1 is a perspective view of the portable lift showing my new design;
FIG. 2 is a left end elevational view thereof;
FIG. 3 is a right end elevational view thereof;
FIG. 4 is a front elevational view thereof;
FIG. 5 is a rear elevational view thereof;
FIG. 6 is a top plan view thereof; and,
FIG. 7 is a bottom plan view thereof.

[56] References Cited

U.S. PATENT DOCUMENTS

D. 328,512	8/1992	Miller	D34/28
D. 359,829	6/1995	Rossler	D34/28
2,315,873	4/1943	Richards	254/143
3,578,290	5/1971	Gof	254/139.1
4,690,376	9/1987	Duncan	D34/23
4,762,239	8/1988	Wissman et al.	212/179

1 Claim, 4 Drawing Sheets



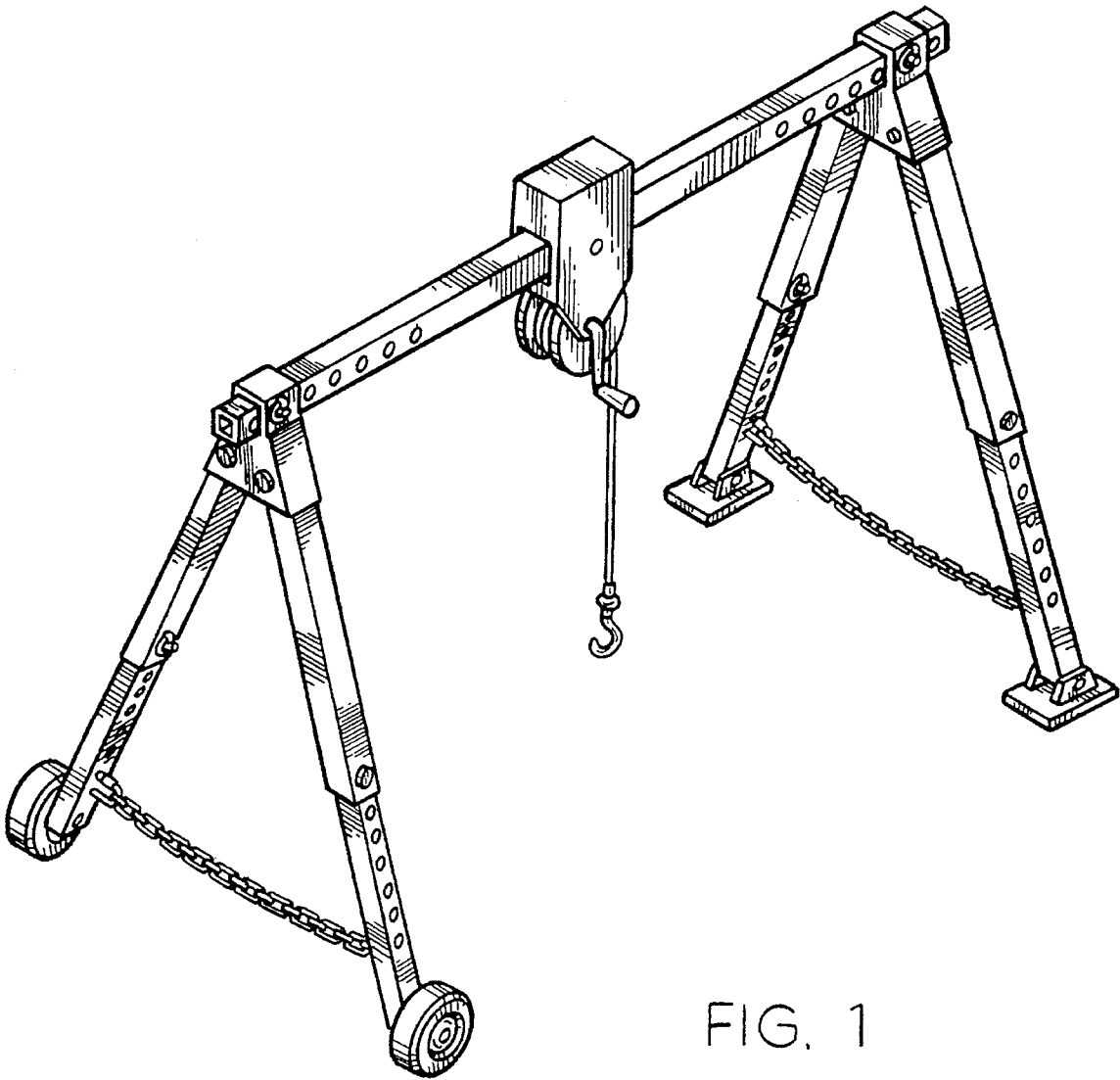


FIG. 1

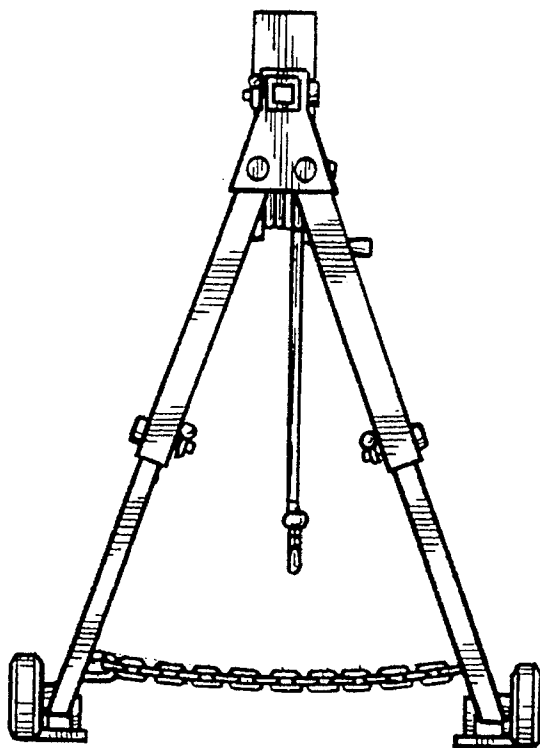


FIG. 2

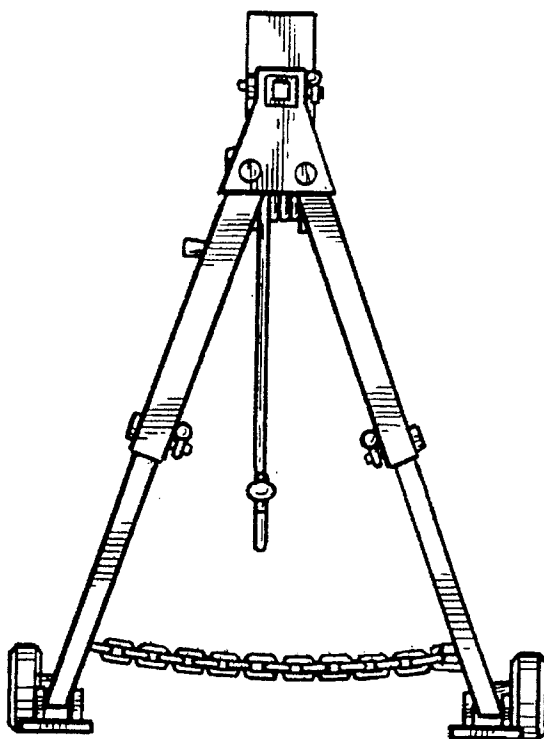


FIG. 3

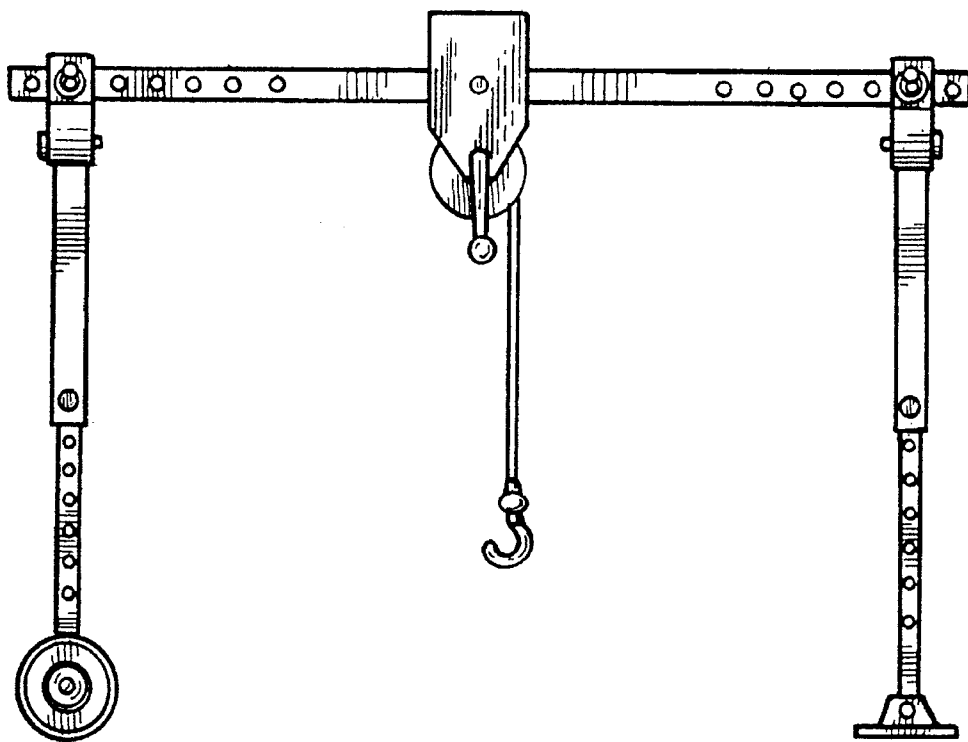


FIG. 4

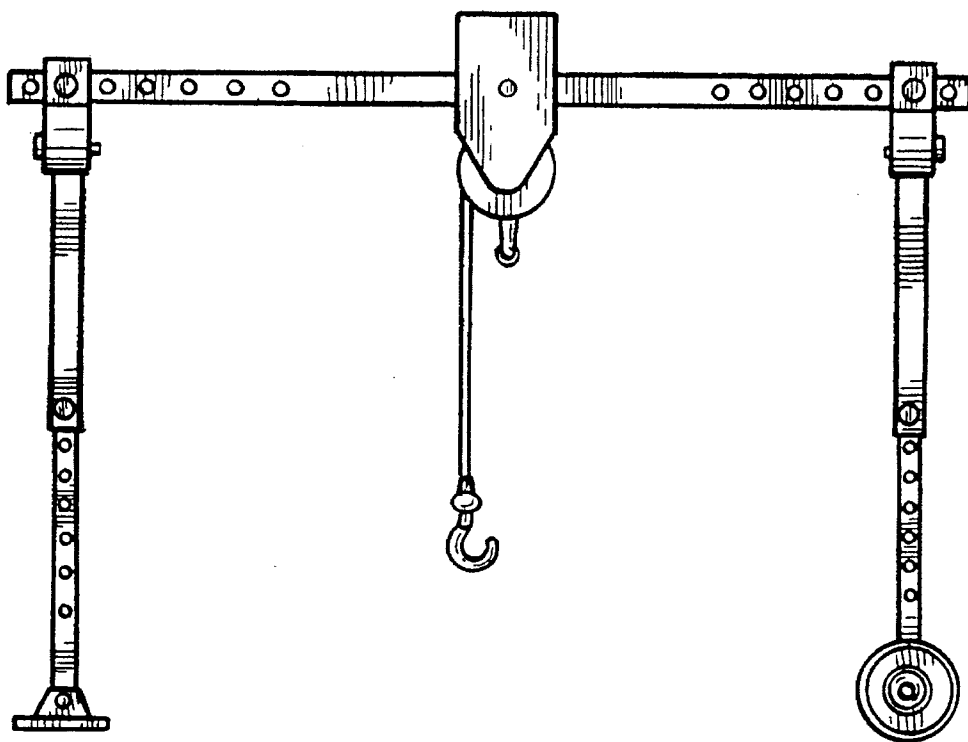


FIG. 5

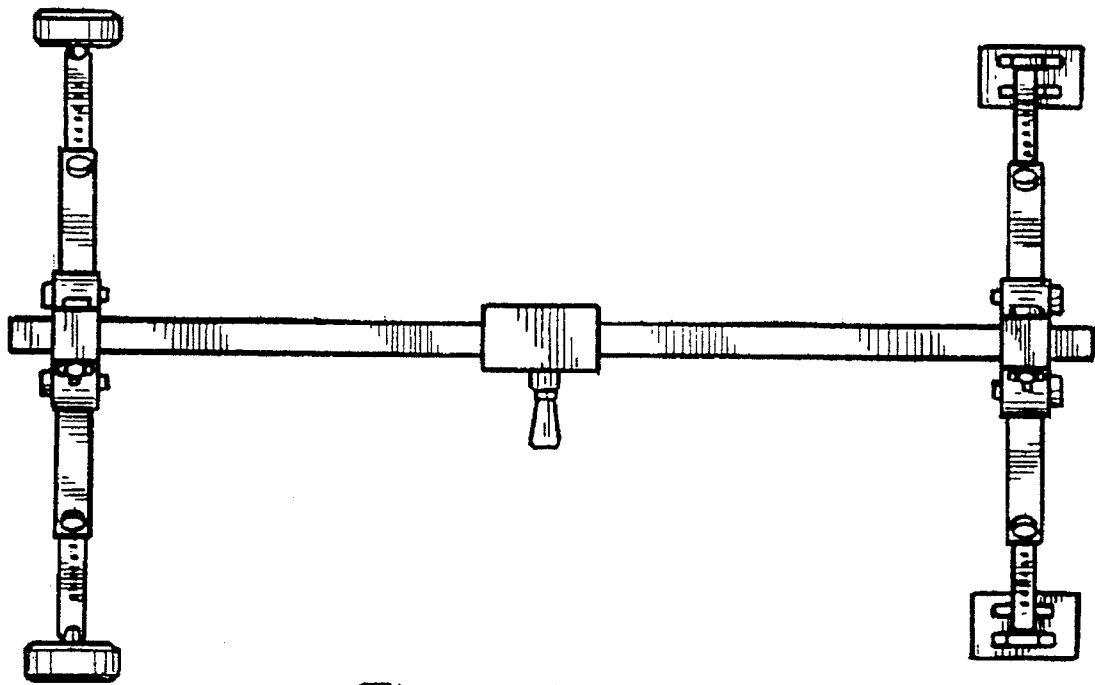


FIG. 6

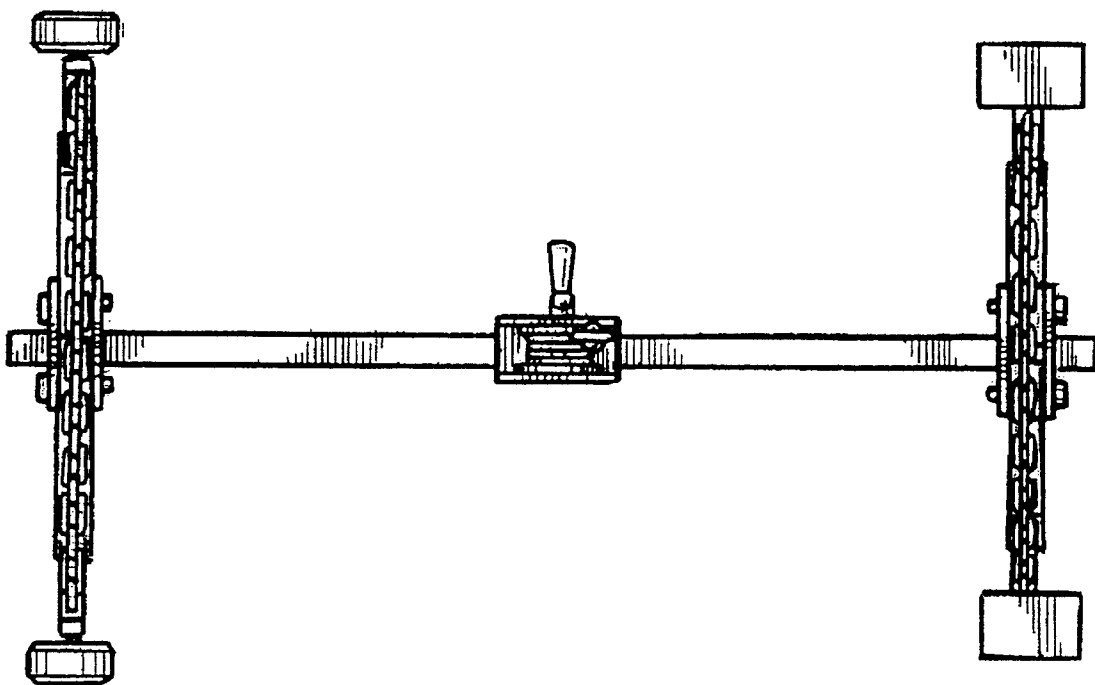


FIG. 7