

(19) World Intellectual Property Organization
International Bureau



(43) International Publication Date
19 March 2009 (19.03.2009)

PCT

(10) International Publication Number
WO 2009/034445 A3

- (51) International Patent Classification:
H01H 3/02 (2006.01)
- (21) International Application Number:
PCT/IB2008/002355
- (22) International Filing Date:
10 September 2008 (10.09.2008)
- (25) Filing Language: English
- (26) Publication Language: English
- (30) Priority Data:
TO2007A000638
11 September 2007 (11.09.2007) IT
- (71) Applicant (for all designated States except US): **ITW INDUSTRIAL COMPONENTS S.R.L. CON UNICO SOCIO** [IT/IT]; Via Visconti di Modrone, 7, I-20122 Milano (IT).
- (72) Inventor; and
- (75) Inventor/Applicant (for US only): **PIANEZZE, Daniele** [IT/IT]; Via Toscana, 16C, I-21012 Cassano Magnago (IT).
- (81) Designated States (unless otherwise indicated, for every kind of national protection available): AE, AG, AL, AM,

AO, AT, AU, AZ, BA, BB, BG, BH, BR, BW, BY, BZ, CA, CH, CN, CO, CR, CU, CZ, DE, DK, DM, DO, DZ, EC, EE, EG, ES, FI, GB, GD, GE, GH, GM, GT, HN, HR, HU, ID, IL, IN, IS, JP, KE, KG, KM, KN, KP, KR, KZ, LA, LC, LK, LR, LS, LT, LU, LY, MA, MD, ME, MG, MK, MN, MW, MX, MY, MZ, NA, NG, NI, NO, NZ, OM, PG, PH, PL, PT, RO, RS, RU, SC, SD, SE, SG, SK, SL, SM, ST, SV, SY, TJ, TM, TN, TR, TT, TZ, UA, UG, US, UZ, VC, VN, ZA, ZM, ZW.

(84) Designated States (unless otherwise indicated, for every kind of regional protection available): ARIPO (BW, GH, GM, KE, LS, MW, MZ, NA, SD, SL, SZ, TZ, UG, ZM, ZW), Eurasian (AM, AZ, BY, KG, KZ, MD, RU, TJ, TM), European (AT, BE, BG, CH, CY, CZ, DE, DK, EE, ES, FI, FR, GB, GR, HR, HU, IE, IS, IT, LT, LU, LV, MC, MT, NL, NO, PL, PT, RO, SE, SI, SK, TR), OAPI (BF, BJ, CF, CG, CI, CM, GA, GN, GQ, GW, ML, MR, NE, SN, TD, TG).

Declarations under Rule 4.17:

- as to applicant's entitlement to apply for and be granted a patent (Rule 4.17(ii))
- as to the applicant's entitlement to claim the priority of the earlier application (Rule 4.17(iii))
- of inventorship (Rule 4.17(iv))

[Continued on next page]

(54) Title: ROTARY CONTROL DEVICE INCLUDING A GAS TAP AND A CATENARY ELEMENT FOR BURNERS OF A COOKING RANGE

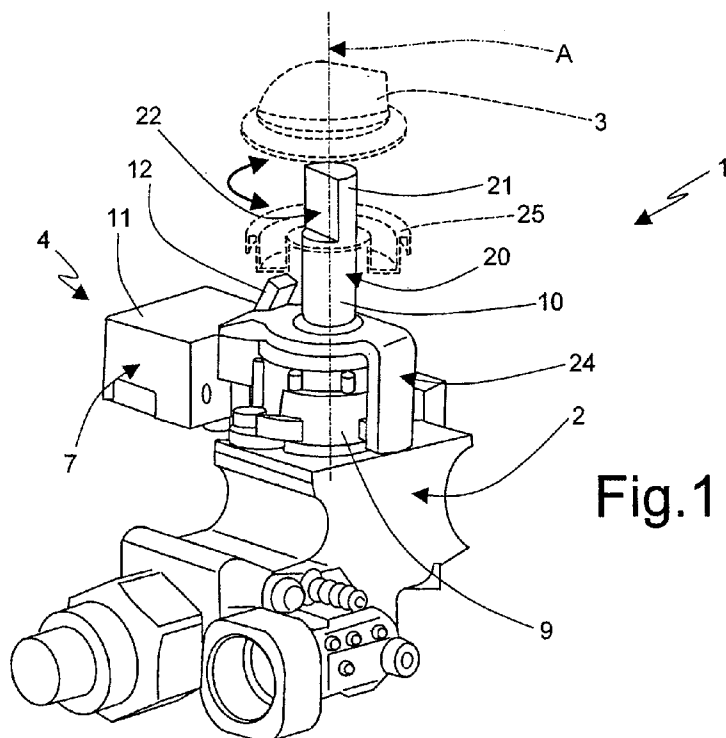


Fig. 1

(57) Abstract: A control device (1) for the burners of a cooking range including a catenary element for controlling the lighting of the burners and a gas tap (2) provided with a rotary control stem; the catenary is of standard type, and therefore the catenary element is fixable onto the gas tap laterally to the rotary stem and includes a microswitch (7) actuated by the translation of a mobile control rod parallelly to the axis of the rotary stem of the gas tap; the control device further includes an annular washer (25) angularly fastenable in an integral and axially locked manner onto the rotary stem, in a position facing the control rod, the washer being provided on a first face thereof (27) facing in use towards the control rod with circumferential cam means (28) cooperating in use in sliding contact with a free end (26) of the control rod for converting each rotary motion of the washer, upon a rotation of the control stem (10) of the gas tap, into a translation motion of the control rod (12) so as to actuate the microswitch.

WO 2009/034445 A3



Published:

— *with international search report*

(88) Date of publication of the international search report:

22 May 2009

INTERNATIONAL SEARCH REPORT

International application No

PCT/IB2008/002355

A. CLASSIFICATION OF SUBJECT MATTER

INV. H01H3/02

According to International Patent Classification (IPC) or to both national classification and IPC

B. FIELDS SEARCHED

Minimum documentation searched (classification system followed by classification symbols)

H01H

Documentation searched other than minimum documentation to the extent that such documents are included in the fields searched

Electronic data base consulted during the international search (name of data base and, where practical, search terms used)

EPO-Internal, WPI Data

C. DOCUMENTS CONSIDERED TO BE RELEVANT

Category*	Citation of document, with indication, where appropriate, of the relevant passages	Relevant to claim No.
A	EP 1 194 720 A (BSPARKS S P A [IT] SABAF SPA [IT]) 10 April 2002 (2002-04-10) cited in the application paragraph [0020] - paragraph [0027]; figures 1-3	1
A	EP 1 500 881 A (ITW IND COMPONENTS SRL [IT]) 26 January 2005 (2005-01-26) cited in the application paragraph [0014] - paragraph [0026]; figures 1-3	1
A	DE 299 11 416 U1 (VAILLANT JOH GMBH & CO [DE]) 12 August 1999 (1999-08-12) page 3, paragraph 6 - page 4, paragraph 6; figures 1,2	1

 Further documents are listed in the continuation of Box C.

 See patent family annex.

* Special categories of cited documents :

- *A* document defining the general state of the art which is not considered to be of particular relevance
- *E* earlier document but published on or after the international filing date
- *L* document which may throw doubts on priority claim(s) or which is cited to establish the publication date of another citation or other special reason (as specified)
- *O* document referring to an oral disclosure, use, exhibition or other means
- *P* document published prior to the international filing date but later than the priority date claimed

- *T* later document published after the international filing date or priority date and not in conflict with the application but cited to understand the principle or theory underlying the invention
- *X* document of particular relevance; the claimed invention cannot be considered novel or cannot be considered to involve an inventive step when the document is taken alone
- *Y* document of particular relevance; the claimed invention cannot be considered to involve an inventive step when the document is combined with one or more other such documents, such combination being obvious to a person skilled in the art.
- * & * document member of the same patent family

Date of the actual completion of the international search

24 February 2009

Date of mailing of the international search report

02/03/2009

Name and mailing address of the ISA/

European Patent Office, P.B. 5818 Patentlaan 2
NL - 2280 HV Rijswijk
Tel. (+31-70) 340-2040,
Fax: (+31-70) 340-3016

Authorized officer

Theis, Gilbert

INTERNATIONAL SEARCH REPORT

Information on patent family members

International application No

PCT/IB2008/002355

Patent document cited in search report	Publication date	Patent family member(s)	Publication date	
EP 1194720	A	10-04-2002	AR 032278 A1	05-11-2003
			AT 274679 T	15-09-2004
			AU 762918 B2	10-07-2003
			AU 6428600 A	22-01-2001
			BR 0006903 A	12-06-2001
			CN 1316046 A	03-10-2001
			DE 60013294 D1	30-09-2004
			DE 60013294 T2	01-09-2005
			EG 22800 A	31-08-2003
			WO 0102776 A1	11-01-2001
			ES 2225191 T3	16-03-2005
			HK 1040428 A1	04-11-2005
			HU 0002420 A2	28-04-2001
			IT BS990058 U1	02-01-2001
			MX PA01013345 A	15-10-2003
			PL 346416 A1	11-02-2002
			PT 1194720 T	31-01-2005
			TR 200100668 T1	21-06-2001
			US 6541721 B1	01-04-2003
			EP 1500881	A
MX PA04007182 A	08-06-2005			
US 2005045172 A1	03-03-2005			
DE 29911416	U1	12-08-1999	AT 409427 B	26-08-2002