



US00D350106S

United States Patent [19]

[11] Patent Number: Des. 350,106

Ina

[45] Date of Patent: ** Aug. 30, 1994

[54] **LIQUID CRYSTAL VIDEO PROJECTOR**

[75] Inventor: **Takao Ina**, Kanagawa, Japan

[73] Assignee: **Fuji Photo Film Co., Ltd.**, Kanagawa, Japan

[**] Term: **14 Years**

[21] Appl. No.: **3,004**

[22] Filed: **Dec. 23, 1992**

[30] **Foreign Application Priority Data**

Jun. 26, 1992 [JP] Japan 4-19248

[52] U.S. Cl. **D16/234; D16/221**

[58] Field of Search 352/34, 242, 29; 353/115, 119; 354/82, 288; D16/200-205, 208, 218, 221, 225, 230, 231, 233, 234; D21/110

[56] **References Cited**

U.S. PATENT DOCUMENTS

- D. 321,527 11/1991 Kurozumi et al. D16/234
- D. 331,768 12/1992 Sacki et al. D16/225

- D. 339,817 9/1993 Fukuda et al. D16/230
- D. 343,849 2/1994 Miyahara D16/225
- 3,269,793 8/1966 White, Jr. 352/29

Primary Examiner—Bernard Ansher
Assistant Examiner—Adir Aronovich
Attorney, Agent, or Firm—Young & Thompson

[57] **CLAIM**

The ornamental design for a liquid crystal video projector, as shown and described.

DESCRIPTION

FIG. 1 is a front, top and side perspective view of a liquid crystal video projector showing my new design; FIG. 2 is a front elevational view thereof; FIG. 3 is a rear elevational view thereof; FIG. 4 is a top plan view thereof; FIG. 5 is a bottom plan view thereof; FIG. 6 is a side view thereof from the left of FIG. 2; FIG. 7 is a side view thereof from the right of FIG. 2; and, FIG. 8 is a top plan view thereof, with a handle in an extended position.

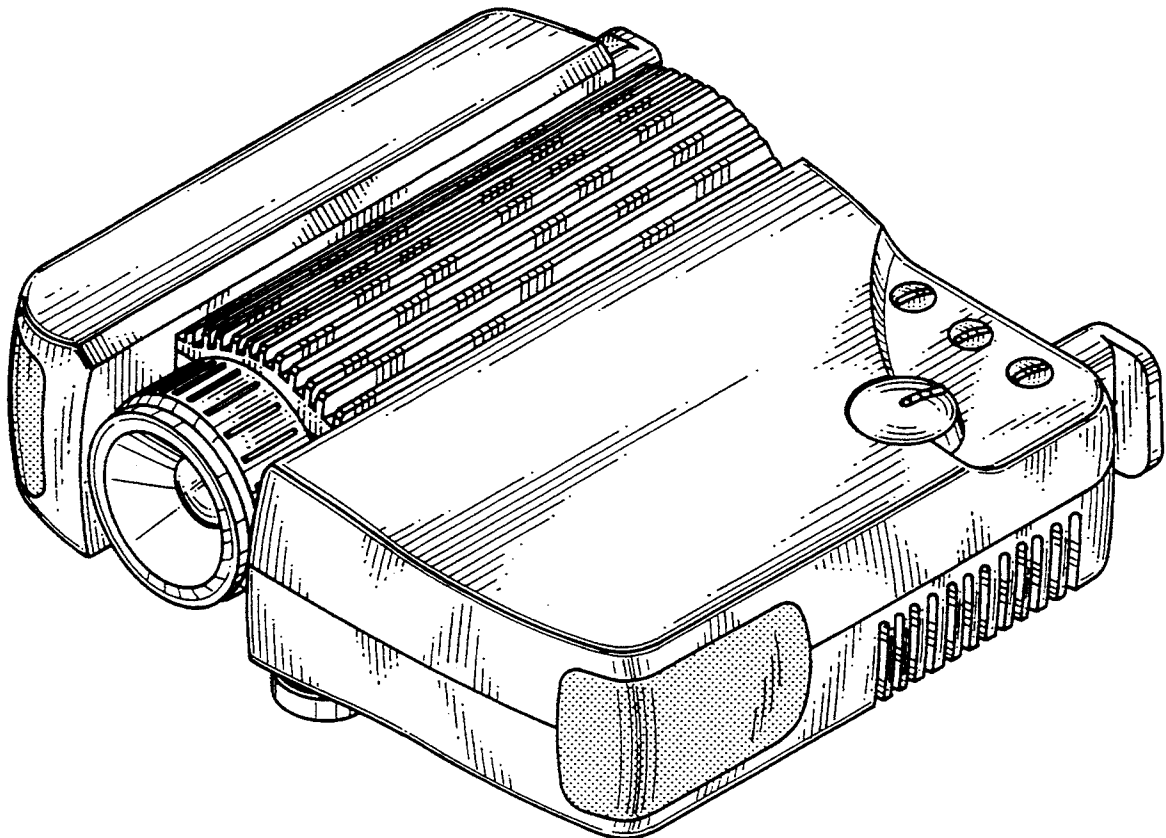


FIG. 1

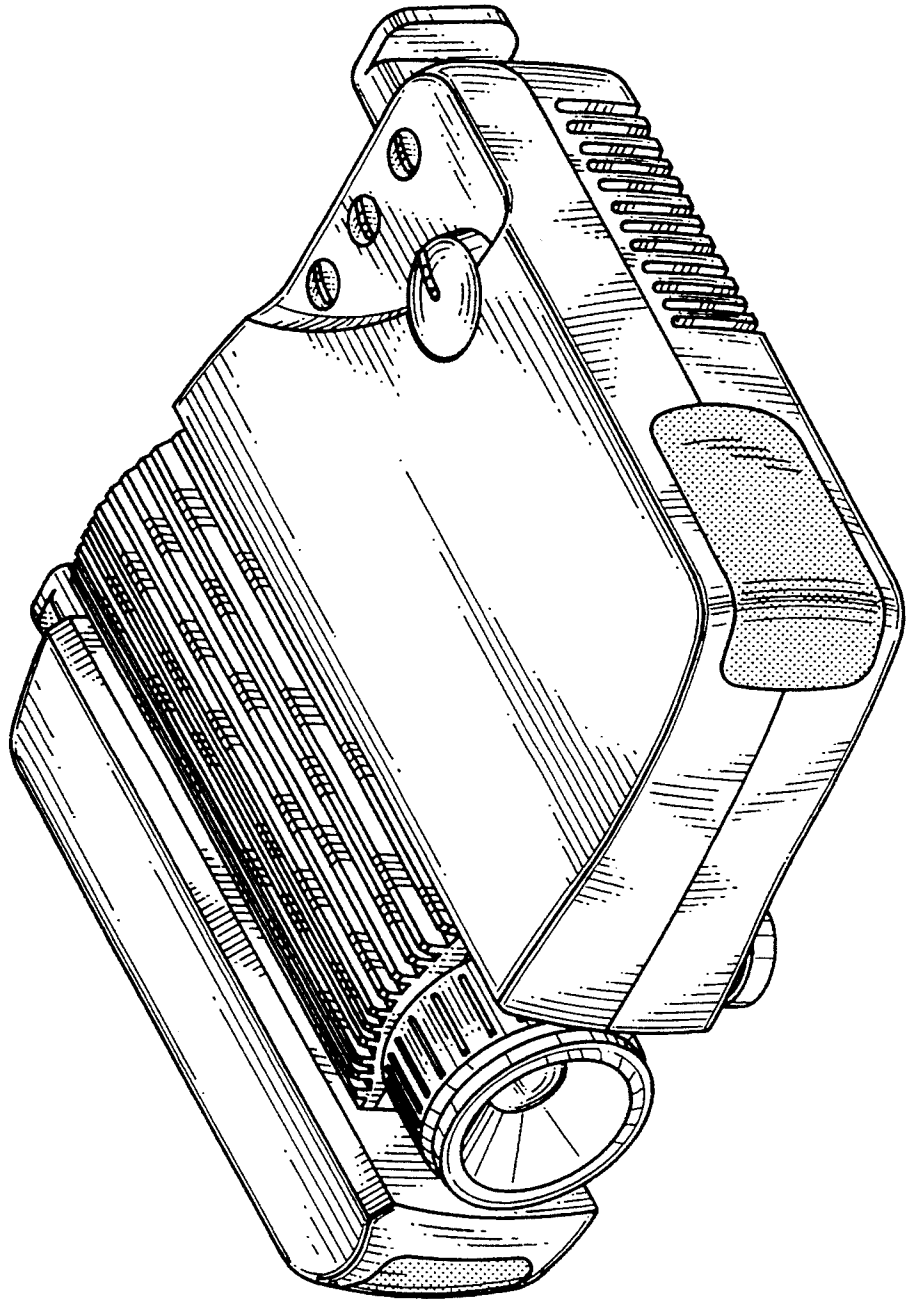


FIG. 2

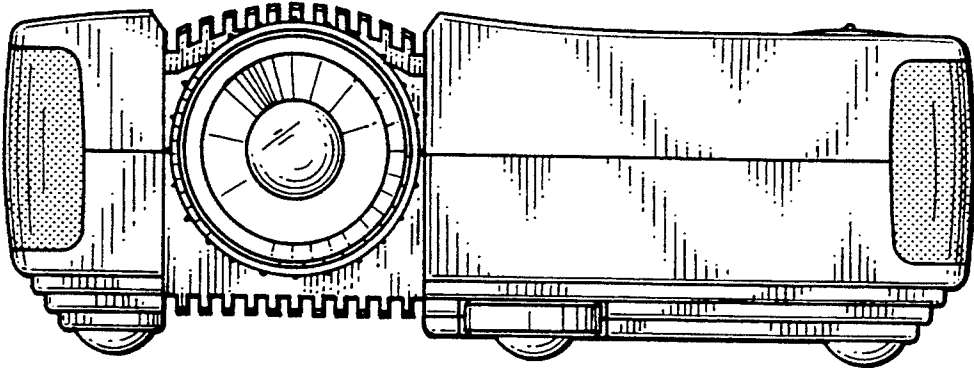


FIG. 3

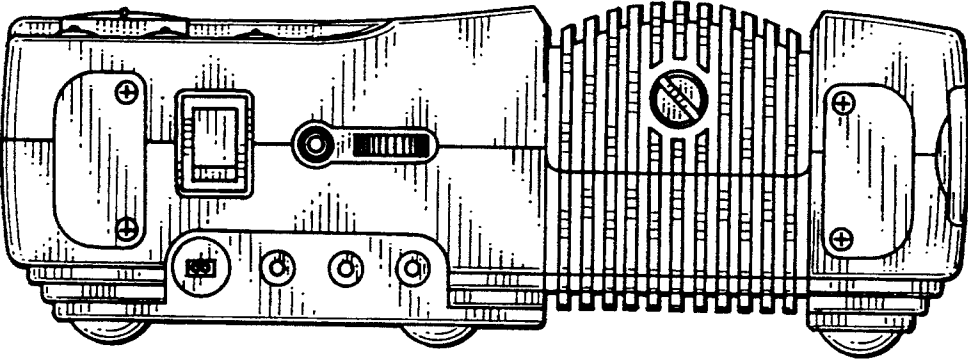


FIG. 4

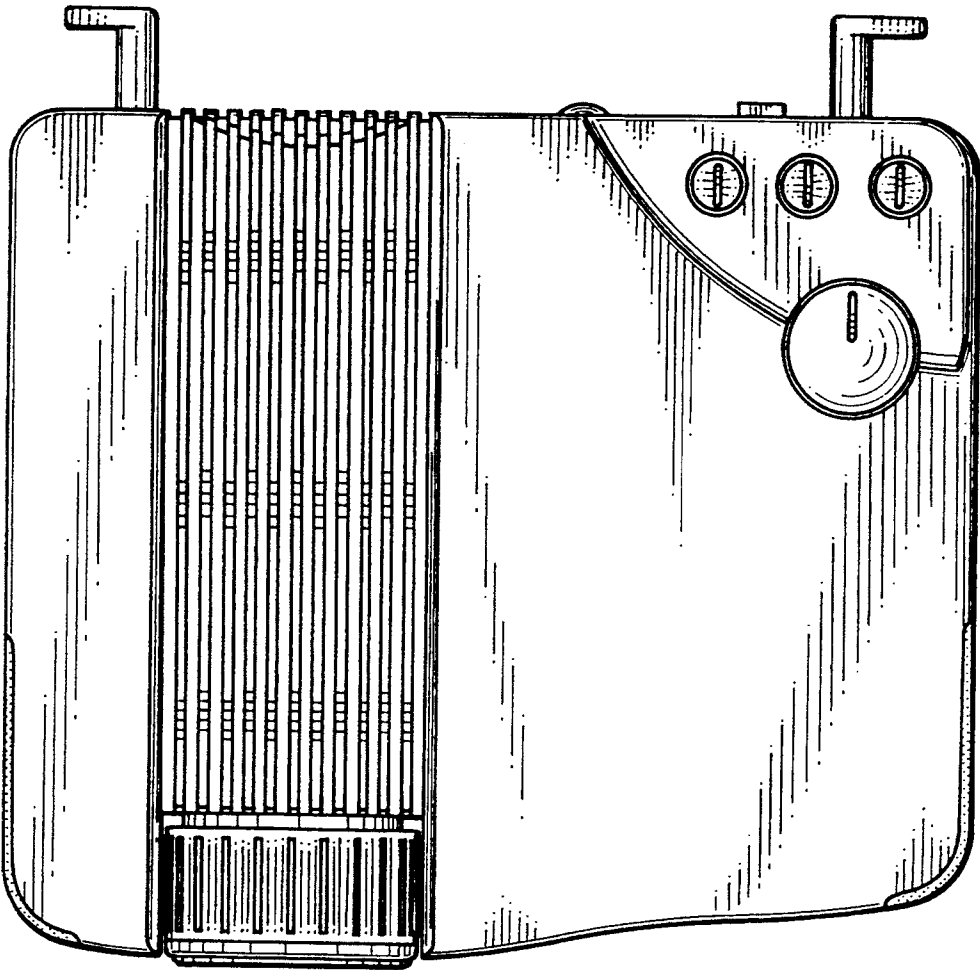


FIG. 5

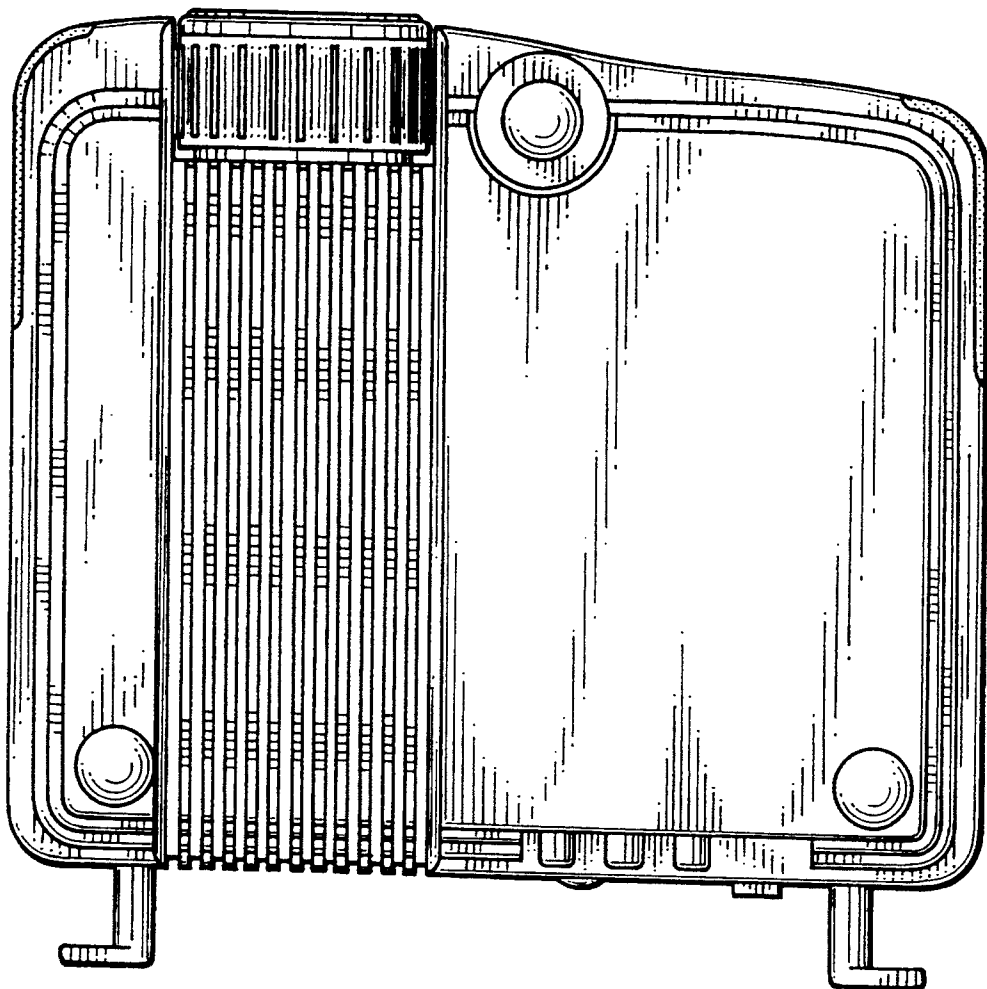


FIG. 6

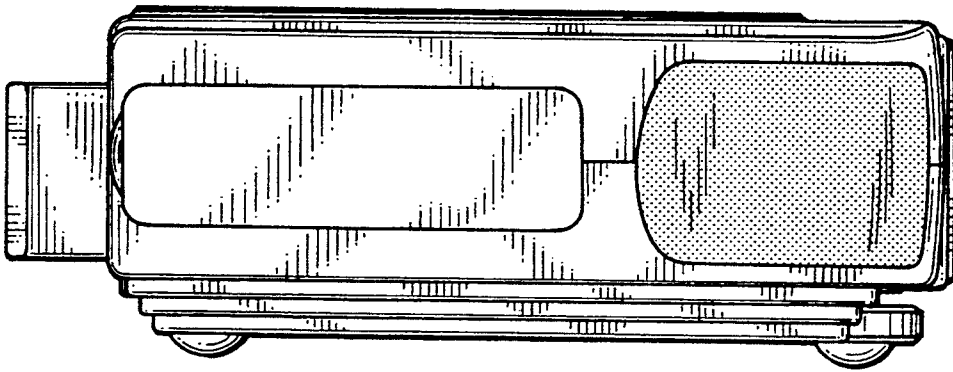


FIG. 7

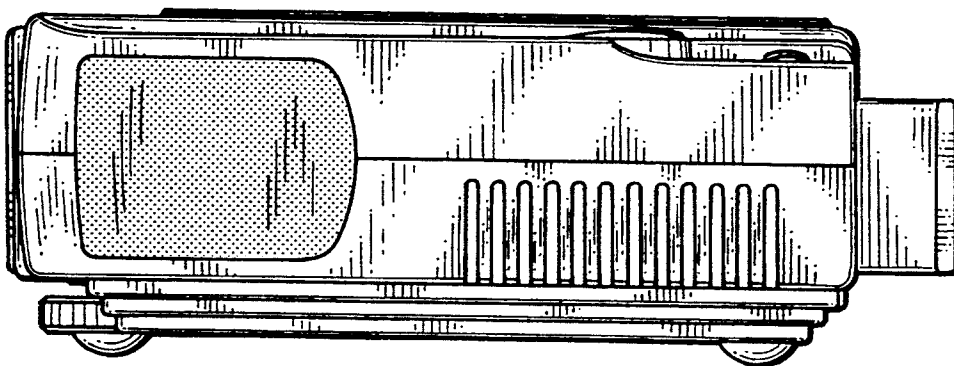


FIG. 8

