



US00D404232S

# United States Patent [19]

[11] Patent Number: Des. 404,232

Kump et al.

[45] Date of Patent: \*\*Jan. 19, 1999

- [54] **SHELF EXTENDER**
- [75] Inventors: **Daniel J. Kump**, Gates Mills; **Stephen D. Wamsley**, Lakewood; **Joseph P. Kosir**, Cleveland, all of Ohio
- [73] Assignee: **Fasteners For Retail, Inc.**, Cleveland, Ohio
- [\*\*] Term: **14 Years**

|           |        |                     |           |
|-----------|--------|---------------------|-----------|
| 3,647,078 | 3/1972 | Fortunato .         |           |
| 3,741,131 | 6/1973 | Leadbetter .        |           |
| 3,744,645 | 7/1973 | Hochman .           |           |
| 3,872,974 | 3/1975 | Anstatt .           |           |
| 3,907,104 | 9/1975 | Taub .....          | 220/482   |
| 3,949,880 | 4/1976 | Fortunato .         |           |
| 4,088,081 | 5/1978 | D'Arca .            |           |
| 4,606,280 | 8/1986 | Poulton et al. .... | 108/152 X |
| 5,549,054 | 8/1996 | Lewis .             |           |

- [21] Appl. No.: **73,415**
- [22] Filed: **Jul. 8, 1997**
- [51] **LOC (6) Cl.** ..... **06-04**
- [52] **U.S. Cl.** ..... **D6/511**
- [58] **Field of Search** ..... D6/574, 418, 509-511, D6/513, 572, 474, 477, 479; 220/482; 108/97, 152, 90-92, 106, 108, 16, 27, 65, 147.11, 147.12, 147.16, 147.17; 211/90.01, 126.1, 126.16, 133.1, 88.01, 134, 135, 153, 186

### OTHER PUBLICATIONS

Fasteners For Retail 1997 Buyers Guide entitled "Our Experience is on Display" (4 pages).

*Primary Examiner*—James Gandy  
*Assistant Examiner*—Linda Brooks  
*Attorney, Agent, or Firm*—Fay, Sharpe, Beall, Fagan, Minnich & McKee

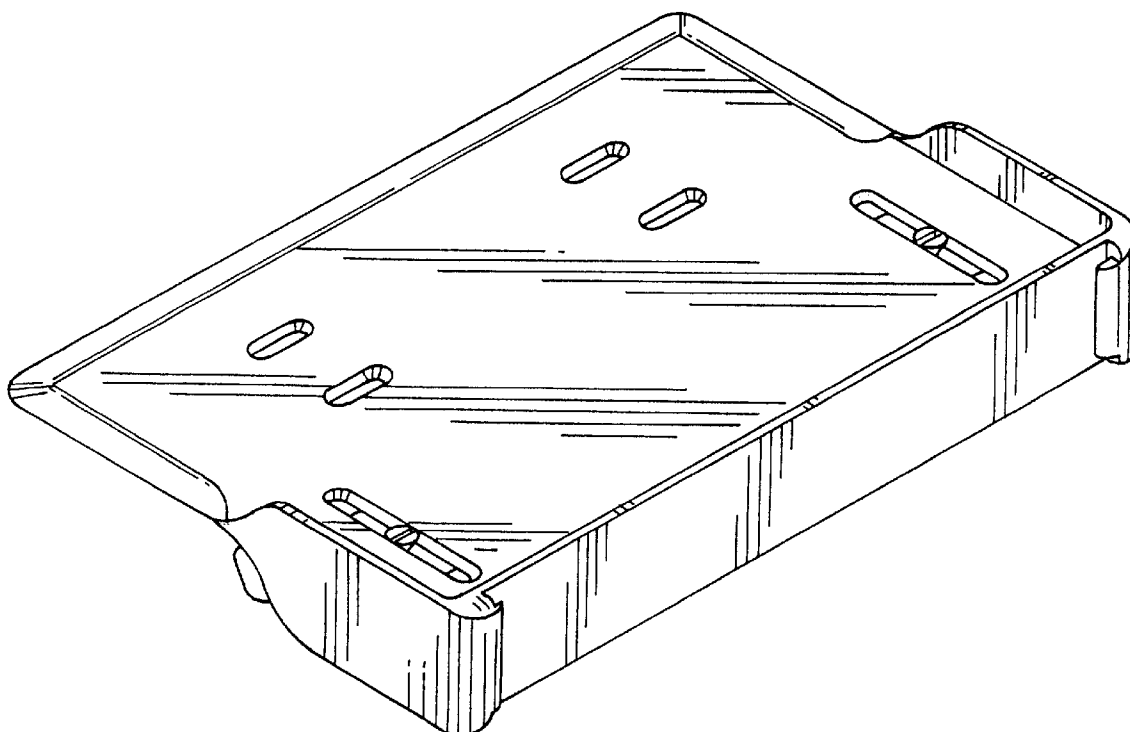
- [56] **References Cited**
- U.S. PATENT DOCUMENTS**
- D. 265,703 8/1982 Zaro ..... D6/574
- D. 272,401 1/1984 Spamer ..... D6/574
- D. 292,352 10/1987 Hampshire et al. .... D6/418
- D. 306,878 3/1990 Crowley .
- D. 322,531 12/1991 Hobson ..... D6/574
- D. 361,238 8/1995 Richards et al. .... D6/574
- 3,193,108 7/1965 Johnson .
- 3,195,734 7/1965 Paige .
- 3,289,615 12/1966 Marschak .
- 3,556,306 1/1971 Shell ..... 211/90.01

[57] **CLAIM**  
The ornamental design for a shelf extender, as shown.

### DESCRIPTION

FIG. 1 is a perspective view of a shelf extender formed in accordance with the present invention as shown from the upper left thereof;  
FIG. 2 is a side elevational view from the left side thereof;  
FIG. 3 is a side elevational view from the right side thereof;  
FIG. 4 is a top plan view thereof;  
FIG. 5 is a front elevational view thereof;  
FIG. 6 is a rear elevational view thereof; and,  
FIG. 7 is a bottom plan view thereof.

**1 Claim, 3 Drawing Sheets**



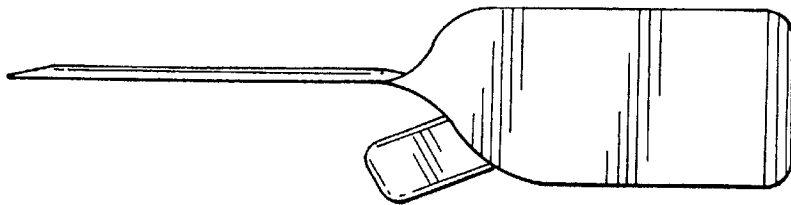
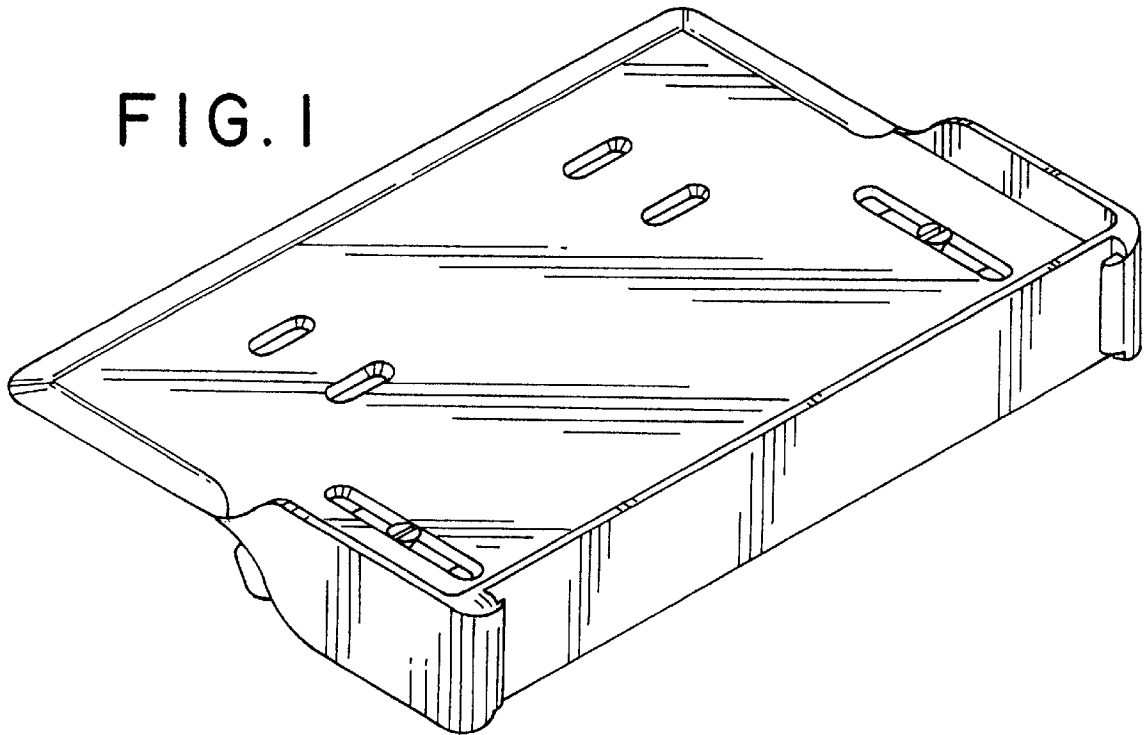


FIG. 2

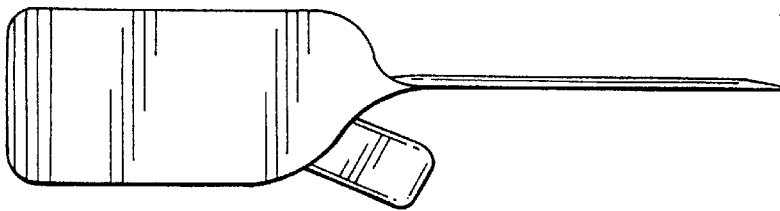


FIG. 3

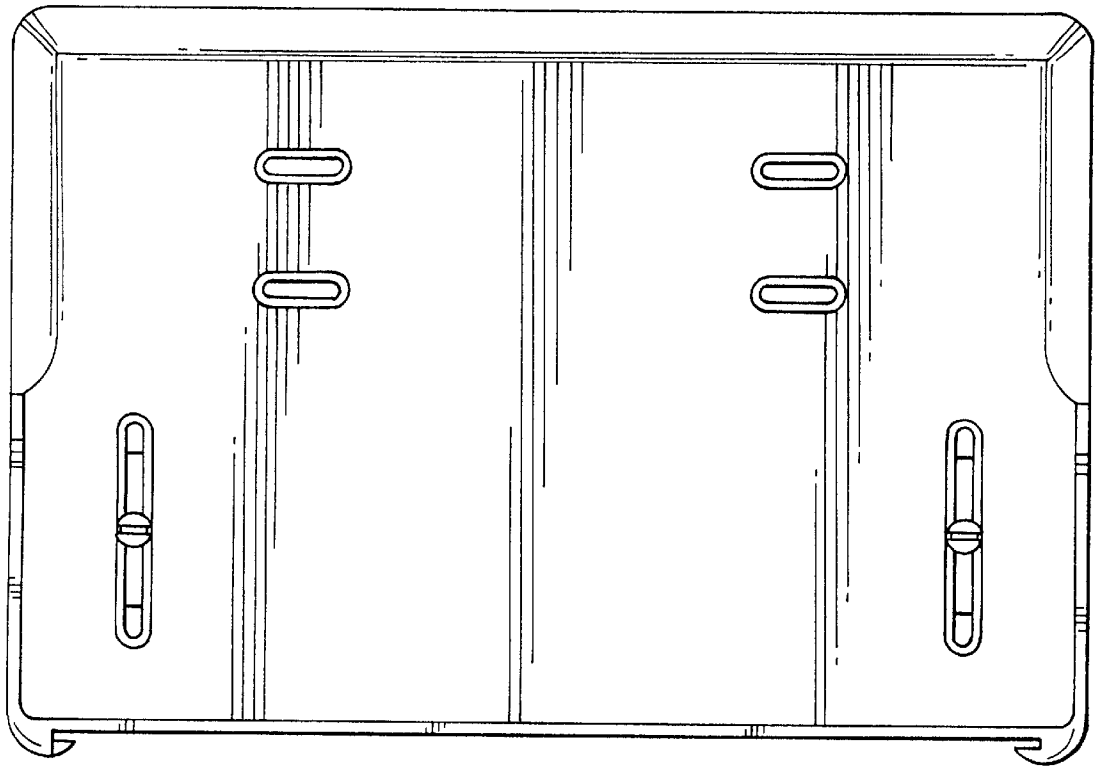


FIG. 4

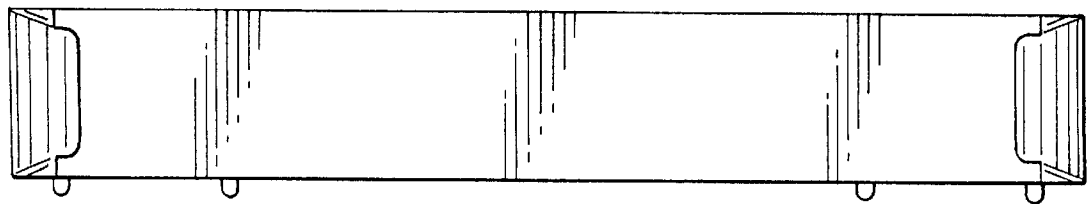


FIG. 5

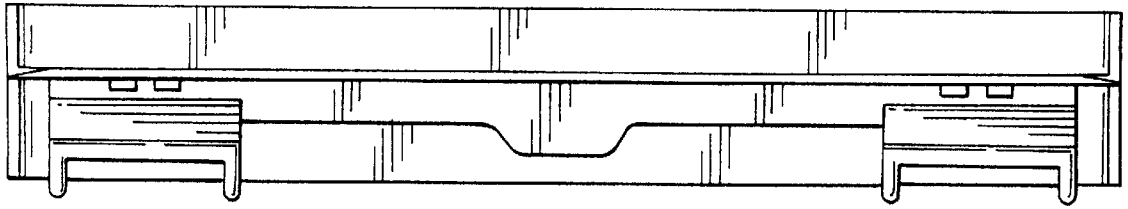


FIG. 6

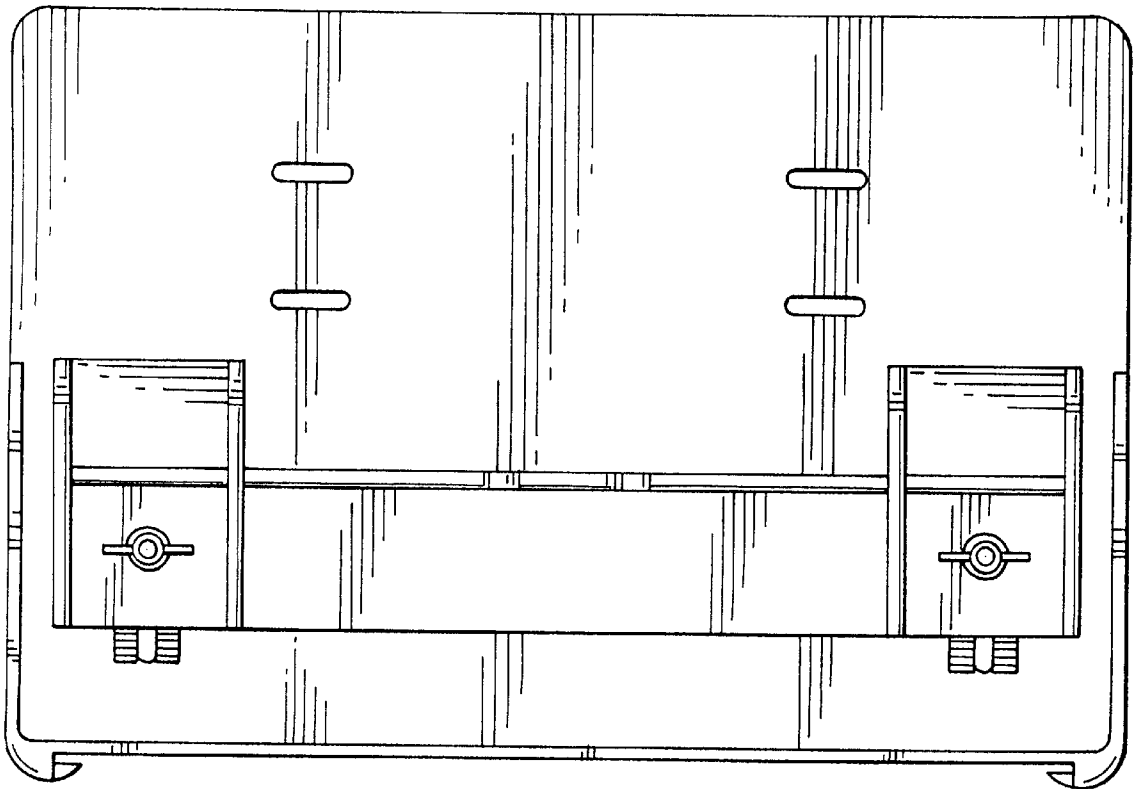


FIG. 7