



US00D742740S

(12) **United States Design Patent**
Kim et al.

(10) **Patent No.:** **US D742,740 S**

(45) **Date of Patent:** **** Nov. 10, 2015**

(54) **PACKING BOX**

(71) Applicant: **KORLOY INC.**, Seoul (KR)

(72) Inventors: **Byoung-Soo Kim**, Seoul (KR);
Yun-Kyoung Kim, Seoul (KR)

(73) Assignee: **KORLOY INC.**, Seoul (KR)

(**) Term: **14 Years**

(21) Appl. No.: **29/466,085**

(22) Filed: **Sep. 4, 2013**

(30) **Foreign Application Priority Data**

Jun. 24, 2013 (KR) 30-2013-0032355

(51) **LOC (10) Cl.** **09-03**

(52) **U.S. Cl.**
USPC **D9/433**

(58) **Field of Classification Search**
USPC D9/600, 700-711, 414-434, 732, 759,
D9/652, 756, 761; D3/304; D7/354, 629,
D7/538, 565, 610
CPC B65D 25/205; B65D 33/004; B65D
21/0202; B65D 5/4204; B65D 83/10; B65D
5/54; B65D 73/0085

See application file for complete search history.

(56) **References Cited**

U.S. PATENT DOCUMENTS

D129,731	S	*	9/1941	Luttrell	D9/418
2,801,742	A	*	8/1957	Farrell	206/499
4,105,155	A	*	8/1978	Forbes, Jr.	229/120
4,243,336	A	*	1/1981	McMullan	401/6
D261,728	S	*	11/1981	Khula et al.	D9/418
D262,945	S	*	2/1982	Lytra	D9/415
D339,438	S	*	9/1993	Moran	D9/414
5,375,700	A	*	12/1994	Joss et al.	206/734
D381,902	S	*	8/1997	Chapman et al.	D9/433
D416,487	S	*	11/1999	Shapiro	D9/432

D416,794	S	*	11/1999	Cormack	D9/425
D552,984	S	*	10/2007	Baron	D9/432
D552,987	S	*	10/2007	Magnusson	D9/432
D584,926	S	*	1/2009	Ethier	D7/610
D603,700	S	*	11/2009	Paredes et al.	D9/432
D604,602	S	*	11/2009	Kohno	D9/418
D648,186	S	*	11/2011	Pourian et al.	D7/629
D652,295	S	*	1/2012	Hipperson et al.	D9/433
D664,429	S	*	7/2012	Arrigo	D9/433
D665,271	S	*	8/2012	Halty et al.	D9/711
D675,088	S	*	1/2013	West	D9/418
D690,105	S	*	9/2013	Scott	D3/304
D710,693	S	*	8/2014	Bhasin et al.	D9/434
D711,217	S	*	8/2014	Jacobs et al.	D9/414
D711,365	S	*	8/2014	Miles	D9/418
D711,738	S	*	8/2014	Scott	D9/434

(Continued)

Primary Examiner — Susan Bennett Hattan

Assistant Examiner — Brett Miller

(74) *Attorney, Agent, or Firm* — Rabin & Berdo, P.C.

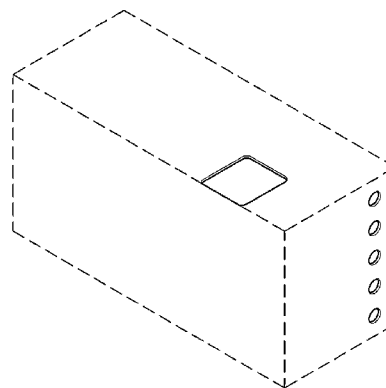
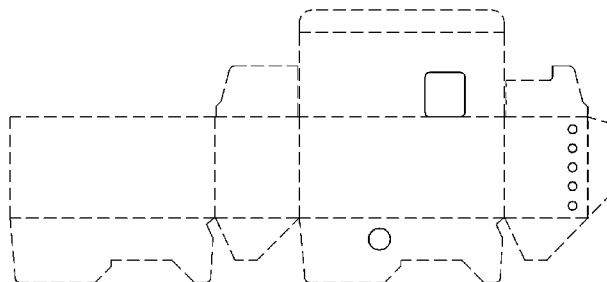
(57) **CLAIM**

The ornamental design for a packing box, as shown and described.

DESCRIPTION

FIG. 1 is a top plan view of a packing box, showing our new design in a flat configuration;
 FIG. 2 is a front perspective view of FIG. 1, illustrated in a closed configuration;
 FIG. 3 is a rear perspective view of FIG. 1, illustrated in a closed configuration;
 FIG. 4 is a front elevational view of FIG. 2;
 FIG. 5 is a rear elevational view of FIG. 2;
 FIG. 6 is a left side elevational view of FIG. 2;
 FIG. 7 is a right side elevational view of FIG. 2;
 FIG. 8 is a top plan view of FIG. 2; and,
 FIG. 9 is a bottom plan view of FIG. 2.
 The broken lines depict unclaimed portions of the packing box.

1 Claim, 4 Drawing Sheets



(56)

References Cited

U.S. PATENT DOCUMENTS

D723,022 S * 2/2015 Miles D9/418
D724,940 S * 3/2015 Kim et al. D9/433
D731,304 S * 6/2015 Bischoff et al. D9/425

2002/0106624 A1* 8/2002 Chan 434/393
2006/0186184 A1* 8/2006 Jourdain 229/113
2009/0297741 A1* 12/2009 Oshita et al. 428/34.2
2011/0068158 A1* 3/2011 Moglia et al. 229/127

* cited by examiner

FIG. 1

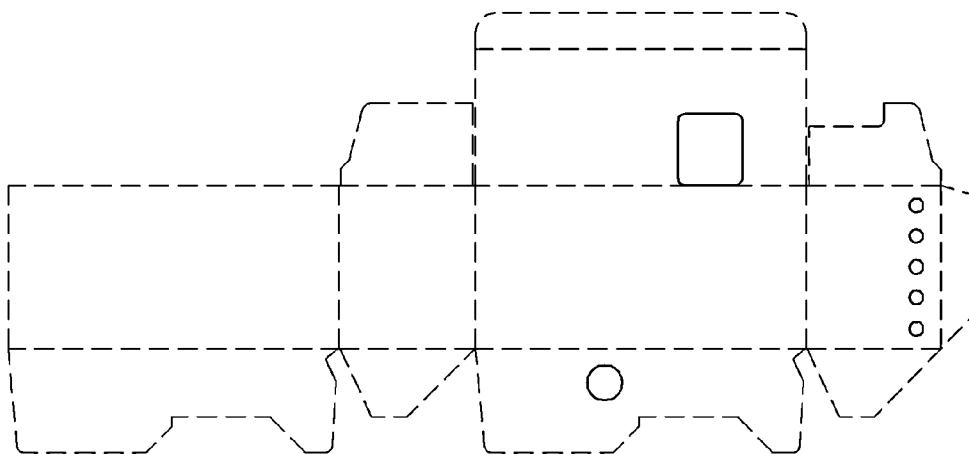


FIG. 2

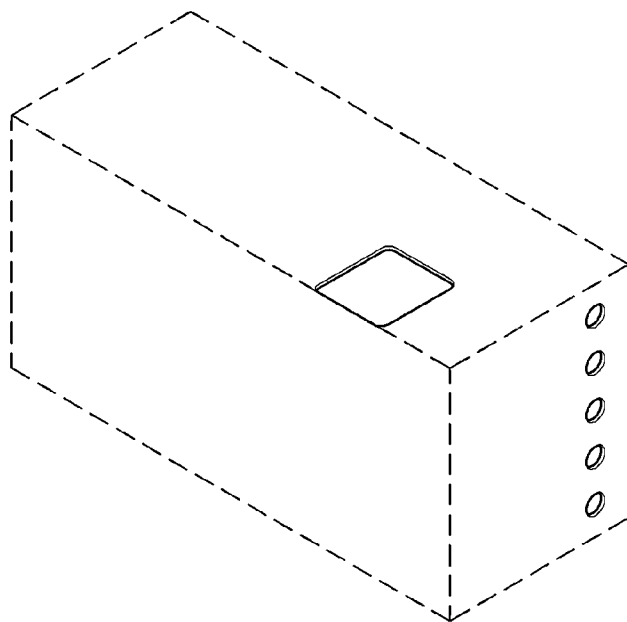


FIG. 3

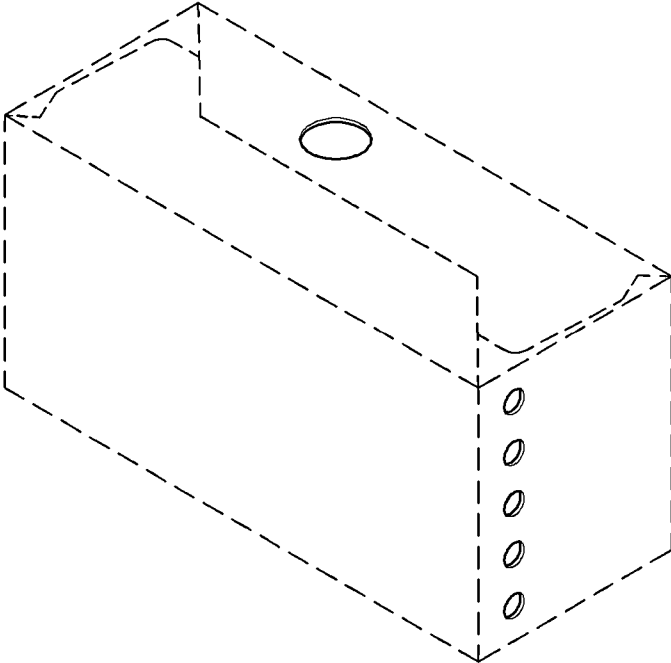


FIG. 4



FIG. 5



FIG. 6

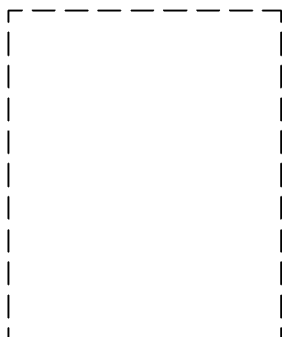


FIG. 7

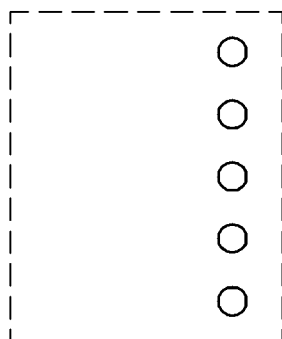


FIG. 8

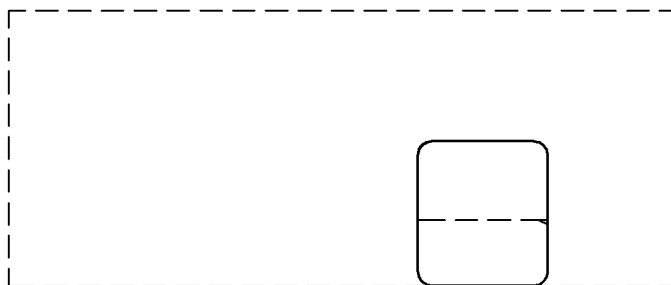


FIG. 9

