



(22) Date de dépôt/Filing Date: 2006/06/09
(41) Mise à la disp. pub./Open to Public Insp.: 2006/12/20
(30) Priorité/Priority: 2005/06/20 (US60/691,674)

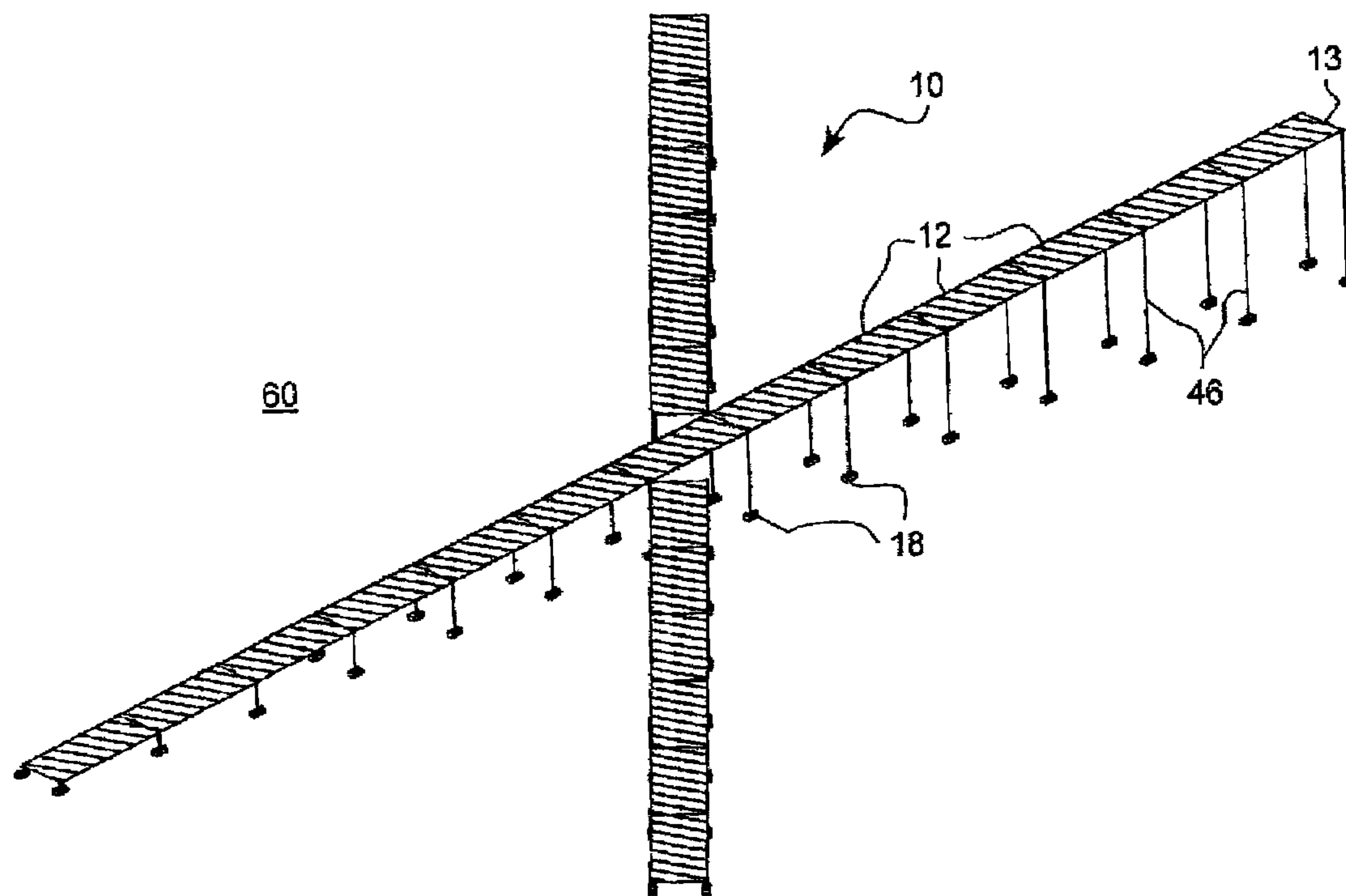
(51) Cl.Int./Int.Cl. *B64F 1/20* (2006.01),
G01S 1/70 (2006.01)

(71) Demandeurs/Applicants:
DESOURDIS, NORMAND, CA;
GERVAIS, PIERRE, CA

(72) Inventeurs/Inventors:
DESOURDIS, NORMAND, CA;
GERVAIS, PIERRE, CA

(54) Titre : RESEAU DE BALISES REFLECHISSANTES TERRESTRES ET POUR PLANS D'EAU A DETECTION AERIENNE

(54) Title: AIR DETECTED WATER AND LAND BASED REFLECTING BEACON SYSTEM



(57) **Abrégé/Abstract:**

A modular signaling system for a runway. The signaling system includes a plurality of attachable modules, each particular module from the plurality of modules including a signaling surface, an attachment to attach the particular module to another module from the plurality of modules, and a support connected to the signaling surface. The attachment is connected to the signaling surface and the support is supporting the particular module over the runway.

ABSTRACT

A modular signaling system for a runway. The signaling system includes a plurality of attachable modules, each particular module from the plurality of modules including a signaling surface, an attachment to attach the particular module to another module from the plurality of modules, and a support connected to the signaling surface. The attachment is connected to the signaling surface and the support is supporting the particular module over the runway.

AIR DETECTED LIGHT REFLECTING MODULAR BEACON SYSTEM**FIELD OF THE INVENTION**

[001]The present invention relates to beacon systems. More specifically, the present invention is concerned with a modular light reflecting beacon device visible from an in flight airplane.

BACKGROUND OF THE INVENTION

[002]There is often a need to introduce temporary beacon on runways in airports. For example, if a runway is being repaired, there is a need to signal to approaching pilots that the runway is unavailable for landing.

[003]Currently, lime is used to write a sign resembling the letter "X" on such a runway. Therefore, a pilot erroneously approaching the closed runway sees the "X" and therefore can clear the runway.

[004]However, lime is dissolved by rain, changes the PH of soil around the runways, and is toxic and therefore cumbersome to apply. In addition, it is very hard to completely remove a mark made with lime from a runway. Also, lime is not reusable. In addition to all these disadvantages, the visibility of lime on runways is only average both during the day and at night.

[005]Another type of temporary beacon for runways consists in a mesh fence. However, such fences are somewhat difficult to see during the day and almost impossible to see at night, even when illuminated.

[006]There are also several types of beacon or marking devices using artificial lighting sources for nighttime illumination as well as some using luminescent means including the use of high reflective material but they are generally setup upright and at the sides of the landing strips and are not used for indicating the closing of a landing strips but rather for more general and permanent markings and not for temporary markings that need to be installed or removed quickly.

10 SUMMARY OF THE INVENTION

[007]In view of the foregoing disadvantages inherent in the known devices now present in the prior art, the present invention, which will be described subsequently in greater detail, is to provide objects and advantages which are:

15 [008] To provide for a modular beacon system that can be assembled in place relatively quickly.

[009]To provide for a modular beacon system that can be disassembled and taken away relatively quickly.

[0010]To provide for a modular beacon system that is clearly and easily visible
20 from the air several kilometers away during daytime.

5

3

[0011]To provide for a modular beacon system that is clearly and easily visible from the air several kilometers away during nighttime.

5[0012]To attain these ends, the modular beacon system for a runway has a plurality of attachable modules; each modules including a panel, at least one axle, and at least one attachment; the attachment being connected to the panel; the axle being connected to the attachments; the panel defines a reflecting surface which is made reflective by being coated with a highly
10reflective substance.

[0013]In one embodiment, the axle are supported by a footing resting on ground wherein each footing has an axle inserted partially therethrough., whereas in another embodiment, the axle rest or are implanted directly into the ground or
15runway.

[0014]The panels are generally supported on a frame. In one embodiment, the frame is made of "L" shaped elongated members running the length of the panel and "L" shaped width members running the width of the panel.

20

[0015]Each module has two attachments connected to the frame; the attachments each include two module attachment holes and one support attachment hofe extending therethrough.

[0016]The modular beacon system has a method of assembly wherein the attachment module is attached to the elongated member through bolts inserted through attachment holes made through the attachment module and through attachment holes made through both the elongated member and the width member; each bolt being maintained within the attachment holes by a nut; axle bolts located on the axle so as to connect the axle to the attachment through a support attachment hole.

10[0017]The method of installation goes as follows: Modules are positioned on the runway to approximately form a signal; the axles are inserted through the support attachments holes; the modules are attached together through the nuts and bolts.

15[0018]Preferably although not essential, in a preferred embodiment, the modular beacon system for a runway has its panels assembled so as to be oriented at an angle relative to the runway, a preferred range of angles is between 1 and 5 degrees relative to the runway.

20[0019]There has thus been outlined, rather broadly, the more important features of the invention in order that the detailed description thereof that follows may be better understood, and in order that the present contribution to the art may be better appreciated. There are additional features of the invention that will be

described hereinafter and which will form the subject matter of the claims appended hereto.

[0020]In this respect, before explaining at least one embodiment of the invention in detail, it is to be understood that the invention is not limited in its application to the details of construction and to the arrangements of the components set forth in the following description or illustrated in the drawings. The invention is capable of other embodiments and of being practiced and carried out in various ways. Also, it is to be understood that the phraseology and terminology employed herein are for the purpose of description and should not be regarded as limiting.

[0021]As such, those skilled in the art will appreciate that the conception, upon which this disclosure is based, may readily be utilized as a basis for the designing of other structures, methods and systems for carrying out the several purposes of the present invention. It is important, therefore, that the claims be regarded as including such equivalent constructions insofar as they do not depart from the spirit and scope of the present invention.

[0022]These together with other objects of the invention, along with the various features of novelty which characterize the invention, are pointed out with particularity in the claims annexed to and forming a part of this disclosure. For a better understanding of the invention, its operating advantages and the specific

objects attained by its uses, reference should be made to the accompanying drawings and descriptive matter which contains illustrated preferred embodiments of the invention.

BRIEF DESCRIPTION OF THE DRAWINGS

5[0023]Fig. 1 is a perspective view of a modular beacon system including a plurality of modules as laid out on a runway to indicate that the runway is closed.

[0024]Fig. 2 is a perspective view of a modular beacon system including a plurality of modules as laid out on a runway to indicate that the runway is open.

10[0025]Fig. 3 is a perspective view of a single panel.

[0026]Fig. 4 is a perspective view of a single panel used for the point part as seen in Fig. 2

[0027]Fig. 5 is a perspective view of the frame of a single panel.

[0028]Fig. 6 is a perspective view of the connection details between each panel
15installed on a pole.

[0029] **Fig. 7** is a perspective view of the connection between two panels attached to a footing.

[0030] **Fig. 8** Isometric view of two symbols located at one end of a runway indicating that the runway is open.

5[0031] **Fig. 9** Isometric view of four symbols located in pairs at each end of the runway indicating that the runway is open.

DETAILED DESCRIPTION

[0032] **Fig. 1** shows a modular beacon system (10) for a runway (60). The beacon system (10) includes a plurality of attachable modules (12).

10[0033] The beacon system (10) allows building temporary or permanent signals for runways. For example a symbol like the letter "X" indicating that the runway (60) is closed is buildable using the beacon system (10). However, the reader skilled in the art will readily appreciate that the beacon system (10) can be used to build a variety of symbols and shapes.

15[0034] As shown in **Fig. 3**, each module (12) includes a panel (22), attachment means (16), used in connecting adjacent modules (12a, 12b) and an axle (46), which is either connected directly into a footing (18) or to a pole (19) which is

itself connected to the footing (18). As better described later, the axles (46) or the poles (19) can be planted directly into the runway (60) without the need for the footings (18). Of course, beacon system (10) can also be installed outside of the runway itself on adjoining ground wherein the axles would be planted into the ground.

[0035] Fig. 5 shows the panel (22) defining a reflecting surface (24) being made reflective by the use of highly reflective materials known in the art. The panel (22) is supported on a frame (20) composed of "L" shaped elongated members (21) running the length of the panel (22) and "L" shaped width members (23) running the width of the panel (22).

[0036] As better shown in Fig. 6, each module (12) includes two attachment means (16) connected to frame (20). The attachment means (16) each include two module attachment means holes (40) and one axle hole (42) extending therethrough.

[0037] Each footing (18) has an axle (46) inserted in it. Fig. 6 shows in greater detail how two modules, (12a and 12b), are connected together and how the footings (18) connect to the attachment means (16). The attachment means (16) of the module (12a) is attached to the elongated member (21) of module (12b) through bolts (50) inserted through attachment means holes (40) and through frame attachment holes (52) made through the elongated member

(21). Each bolt (50) is maintained within the attachment means holes (40) and the frame attachment holes (52) by a nut (56).

[0038] Since the attachment means (16) is connected or attached to both the modules (12a and 12b), the footing (18) supports both modules (12a and 12b). To that effect, bolts (58) are provided on the axle (46) to maintain the attachment means (16) affixed thereto at a particular location when the axle (46) is inserted into the axle hole (42).

[0039] Since most of the modules (12) are identical and each include two attachment means (16), the reader skilled in the art will readily appreciate that a particular module (12) provided one of two extremities of a plurality of attached modules (12) needs additional material to be supported at one of its extremities, hereinafter the "free" extremity (13) (shown in Figure 1). To that effect, footings (18) or poles (19) are provided at the free extremity (13), along with the attachment means (16) which are only connected or attached to one module (12) at the free extremity (13). Although rectangular modules are sufficient, in order to provide optimal viewing, various shapes can be created using the same construction methods to provide different connectable module shapes which can help create symbol shapes such as for example module (11) of Fig. 4.

[0040]To prepare for use, the beacon system (10) is assembled to form a particular signal as follows. First, all the modules (12) are positioned on the runway (60) to approximately form the signal. Then, the axles (46) and the poles (19) are put in place either by being inserted directly into the runway (not shown) or inserted into footings (18). The modules (12) are mounted onto the axles (46) and the nuts (56) and bolts (50) of the footings (18) are inserted through the attachment means holes (40).

[0041]Adjusting the length of the axles (46) allows the adjustment of an angle of the panels (22) in such that they are set at an angle of between 1 and 5 10degrees in relation to the runway. The panels (22) oriented in such a way are more visible from the air especially at night when the lights from the plane shine onto the surface of the panels (22), much the way car headlights shine on road signs at night. Each panel (22) being angled forces the next connected to it to be set up higher and the next following that higher still so that if a symbol is 1530-40 meters long, depending upon the angle (1 to 5 degrees) the end panels (22) can be anywhere from one to two meters above the runway surface. This means that the axles (46) must be progressively longer until they are extended by way of poles (19). Not illustrated are additional structural supports such as cross beams since such elements would be obvious to provide stability to the 20structure. For the sake of simplicity, the most basic structure is shown here.

[0042]In specific examples of embodiments of the invention, the modules (12) include a metal such as aluminum. In other embodiments of the invention, the modules (12) include any other suitable material, such as wood, steel or polymers, among others.

5[0043]While a specific example of implementation of the invention has been shown and described, the reader skilled in the art will readily appreciate that many variations to the above-described modular beacon system (10) are within the scope of the invention.

[0044]The attachment means (16) and the footings (18) take any suitable form. 10In some embodiments of the invention, the footings (18) are not present and the threaded axle (46) is insertable into bores provided directly into the runway.

[0045]In other embodiments of the invention, the modules (12) are not attached together through the bolts and nuts (50 and 56). Instead, any other suitable attachment mechanism, such as for example a quick-release mechanism is 15used. Such mechanisms being well known in the art, they will not be described in further details.

[0046]The panels (22) are not substantially flat but have a wave like pattern which makes them visible from a wide range of elevational angles as may be encountered from an approaching airplane as it sets itself for landing.

[0047]The reflective material is applied on a substrate which forms an integral part of the reflecting surface (24) by means known in the art.

[0048]As to a further discussion of the manner of usage and operation of the present invention, the same should be apparent from the above description. Accordingly, no further discussion relating to the manner of usage and operation will be provided.

[0049]With respect to the above description then, it is to be realized that the optimum dimensional relationships for the parts of the invention, to include variations in size, materials, shape, form, function and manner of operation, assembly and use, are deemed readily apparent and obvious to one skilled in the art, and all equivalent relationships to those illustrated in the drawings and described in the specification are intended to be encompassed by the present invention.

[0050]Therefore, the foregoing is considered as illustrative only of the principles of the invention. Further, since numerous modifications and changes will readily occur to those skilled in the art, it is not desired to limit the invention to the exact construction and operation shown and described, and accordingly, all suitable modifications and equivalents may be resorted to, falling within the scope of the invention.

25

13

Claims

1. A modular beacon system for a runway comprising:
 a plurality of attachable modules;
 each said modules including a panel, at least one axle, and at least one
 attachment;
 said attachment being connected to said panel;
 said axle being connected to said attachments;
 said panel defining a reflecting surface;
 said reflecting surface being reflective by being coated with a highly reflective
 substance.
2. A modular beacon system for a runway as in claim 1 wherein:
 said axle being supported by a footing resting on ground.
3. A modular beacon system for a runway as in claim 1 wherein:
 said axle being connected to a pole planted into ground.
4. A modular beacon system for a runway as in claim 3 wherein:
 said pole being supported by a footing resting on ground.
5. A modular beacon system for a runway as in claim 1 wherein:
 said panel being supported on a frame.

6. A modular beacon system for a runway as in claim 5 wherein:
said frame made of "L" shaped elongated members running the length of said panel and "L" shaped width members running the width of said panel.
57. A modular beacon system for a runway as in claim 5 wherein:
each said module having two attachments connected to said frame; said attachments each including two module attachment holes and one support attachment hole extending therethrough.
108. A modular beacon system for a runway as in claim 2 wherein:
each said footing having an axle inserted partially therethrough.
9. A modular beacon system for a runway as in claim 1 having the following method of assembly:
said attachment module being attached to said elongated member through 15 bolts inserted through attachment holes made through said attachment module and through attachment holes made through both said elongated member and said width member; each bolt being maintained within said attachment holes by a nut; axle bolts located on said axle so as to connect said axle to said attachment through a support attachment hole.
2010. A modular beacon system for a runway as in claim 1 having the following method of installation: modules are positioned on said runway to approximately

form a signal; said axles are inserted through said support attachments holes;
said modules are attached together through said bolts and said nuts.

11. A modular beacon system for a runway as in claim 1 wherein:
said panels are assembled so as to be oriented at an angle relative to said
runway.

12. A modular beacon system for a runway as in claim 11 wherein:
said panels are assembled so as to be oriented at an angle of between 1 and
5 degrees relative to said runway.

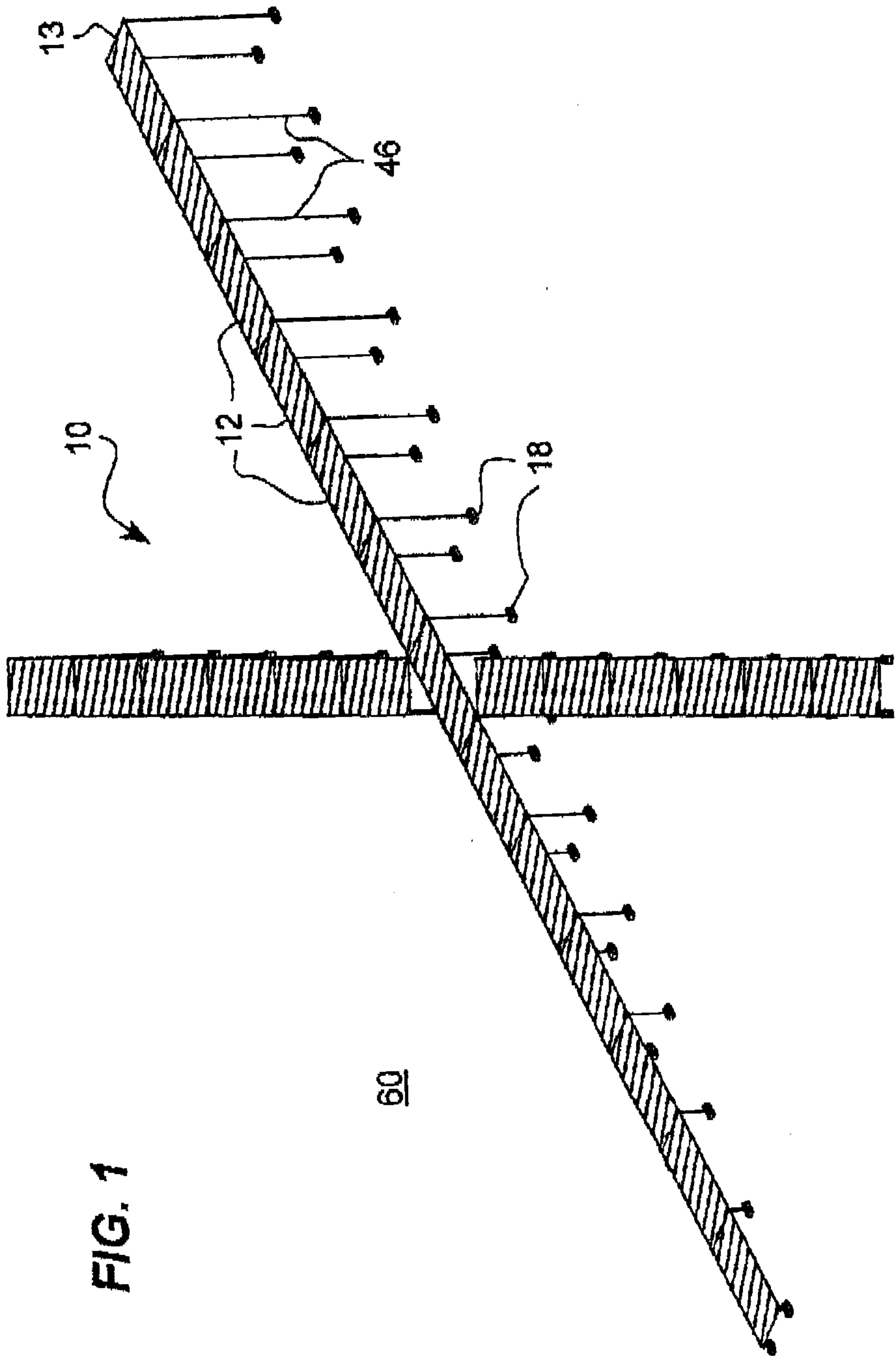


FIG. 1

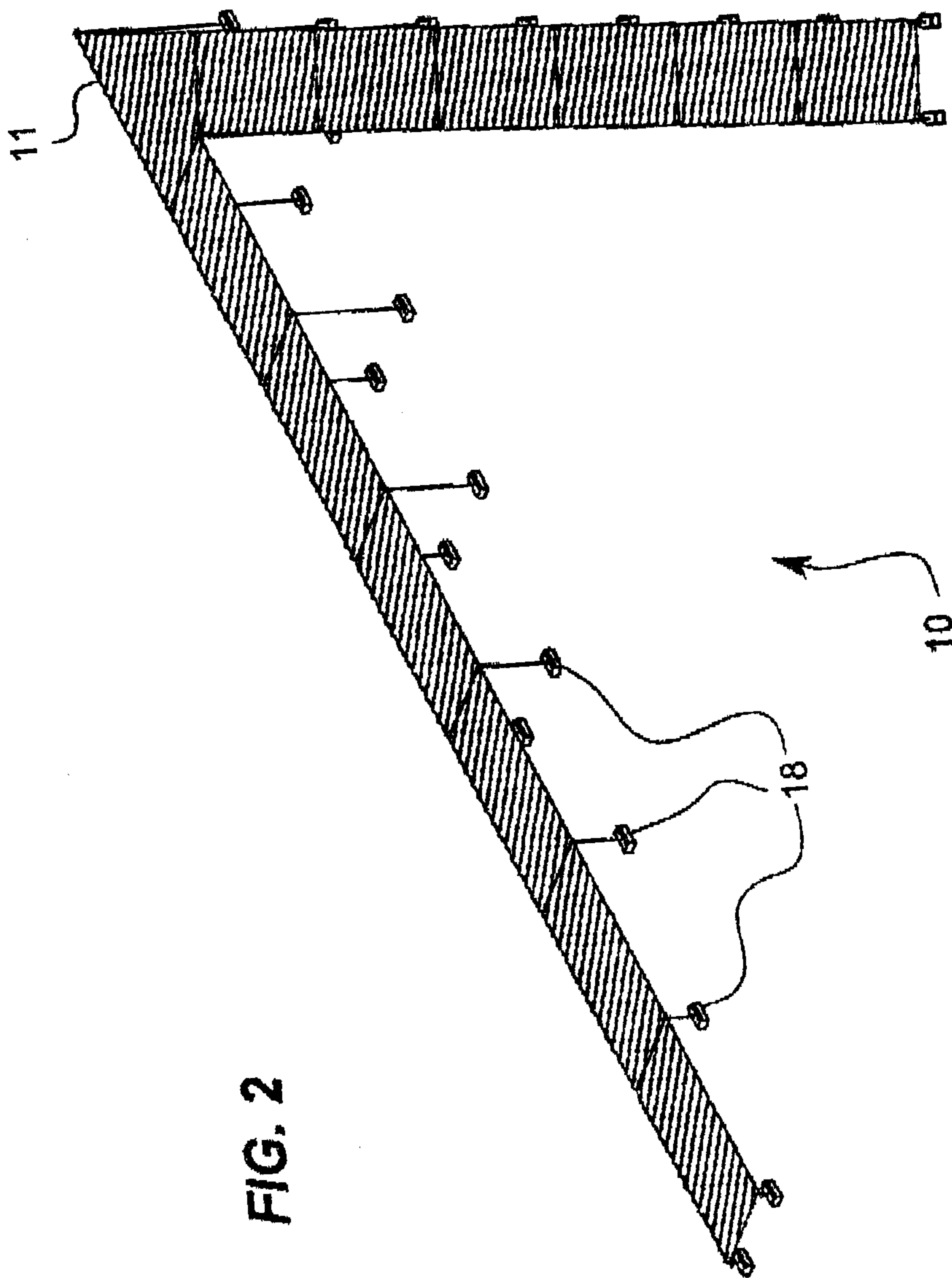


FIG. 2

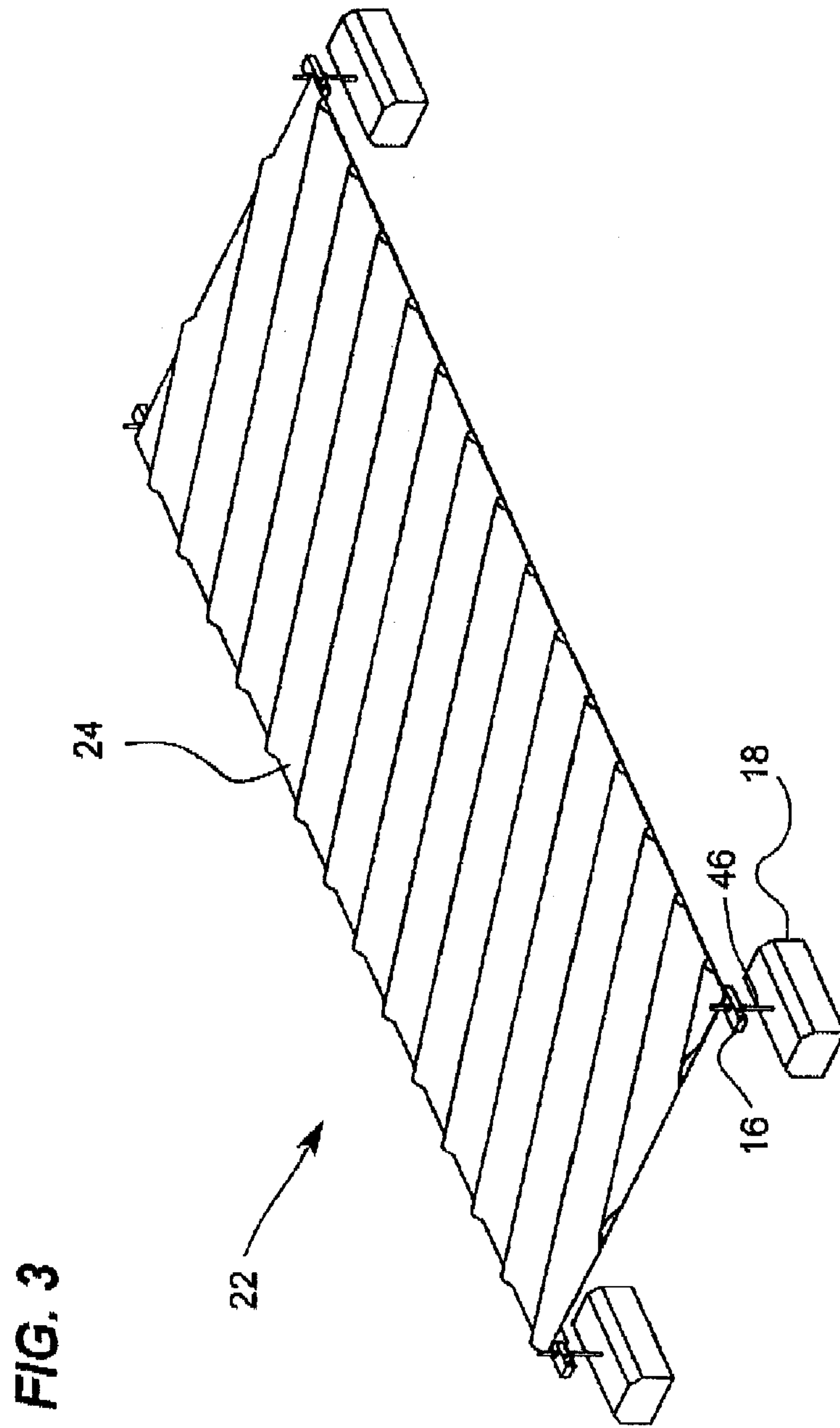


FIG. 4

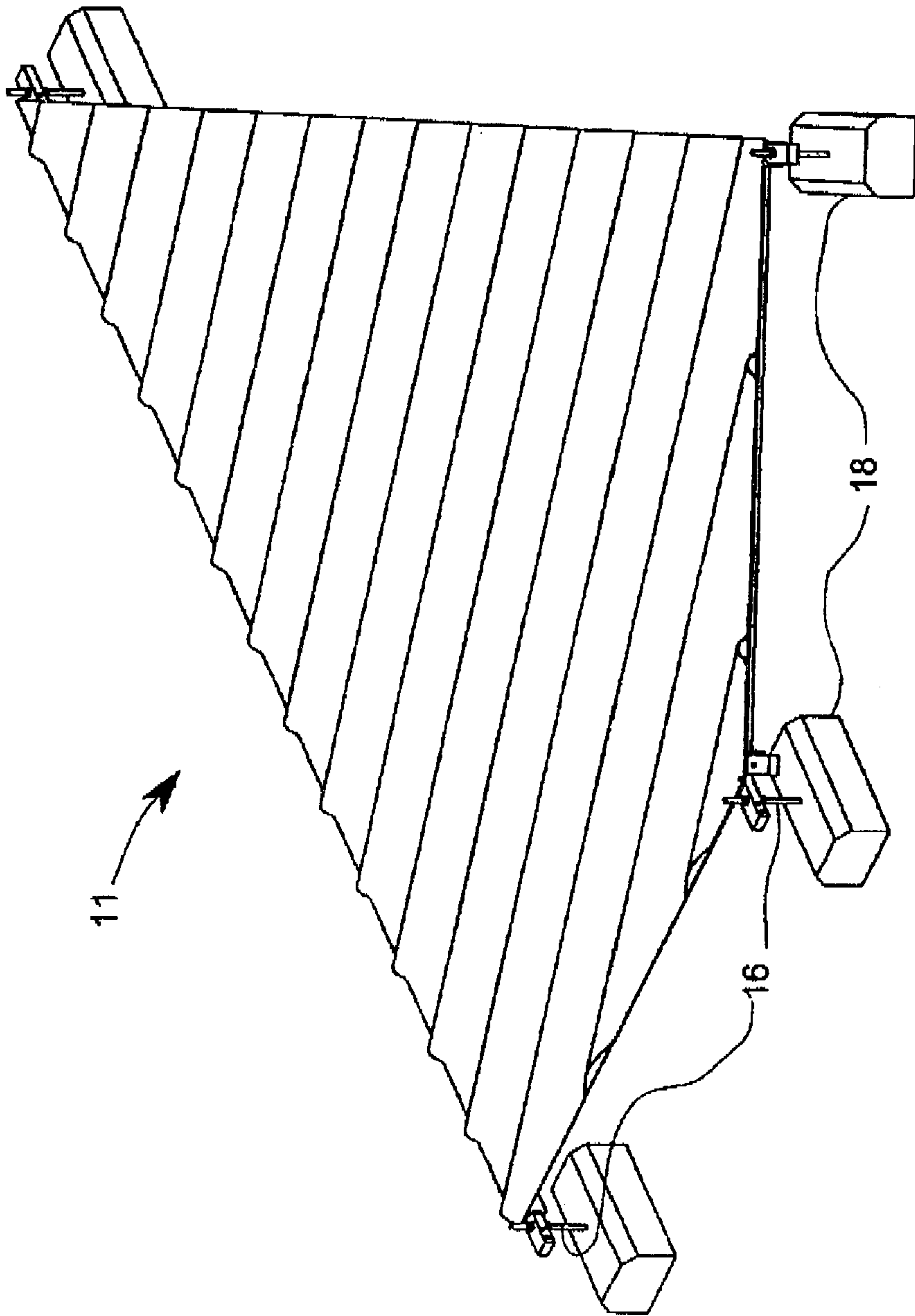
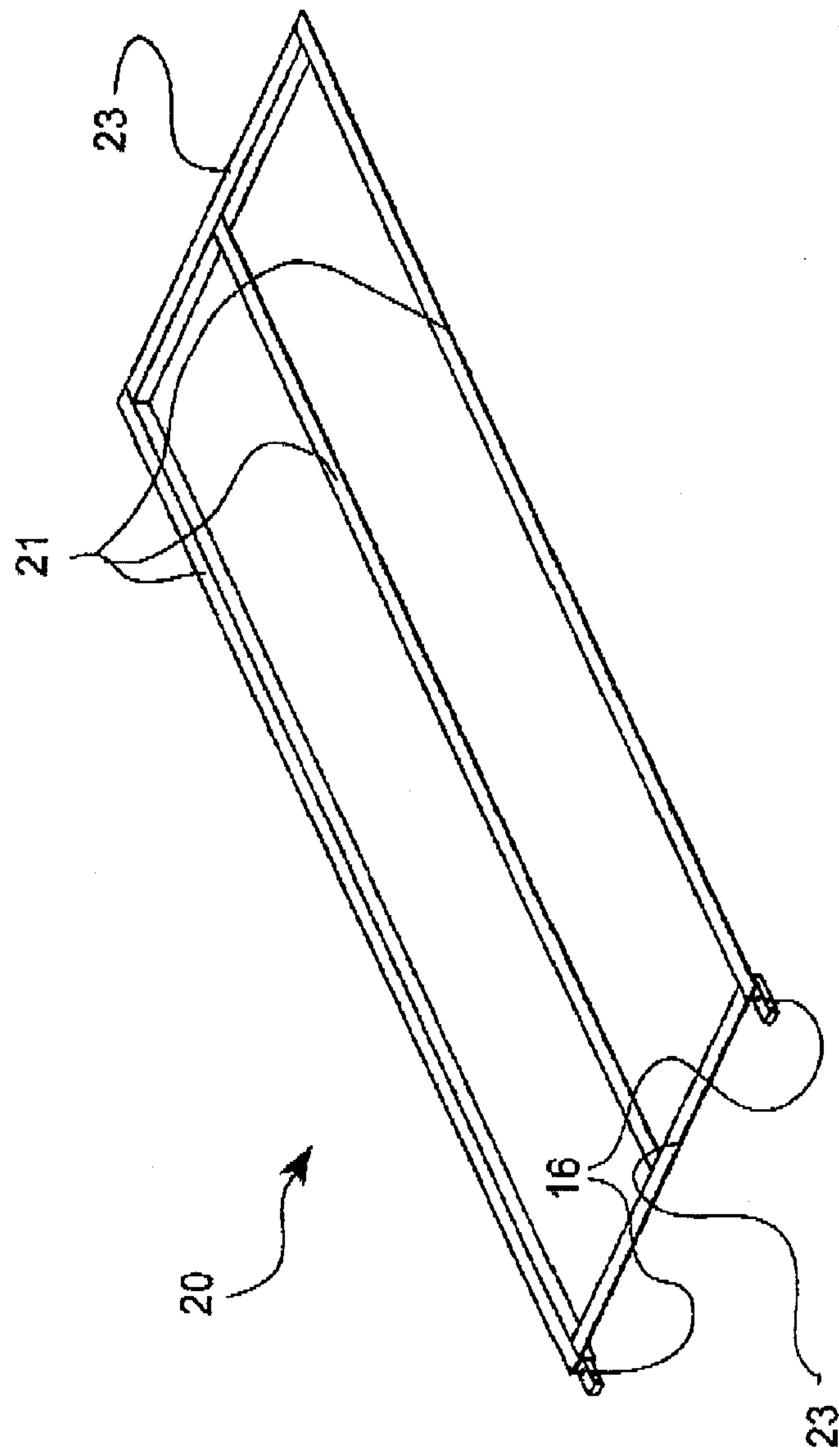
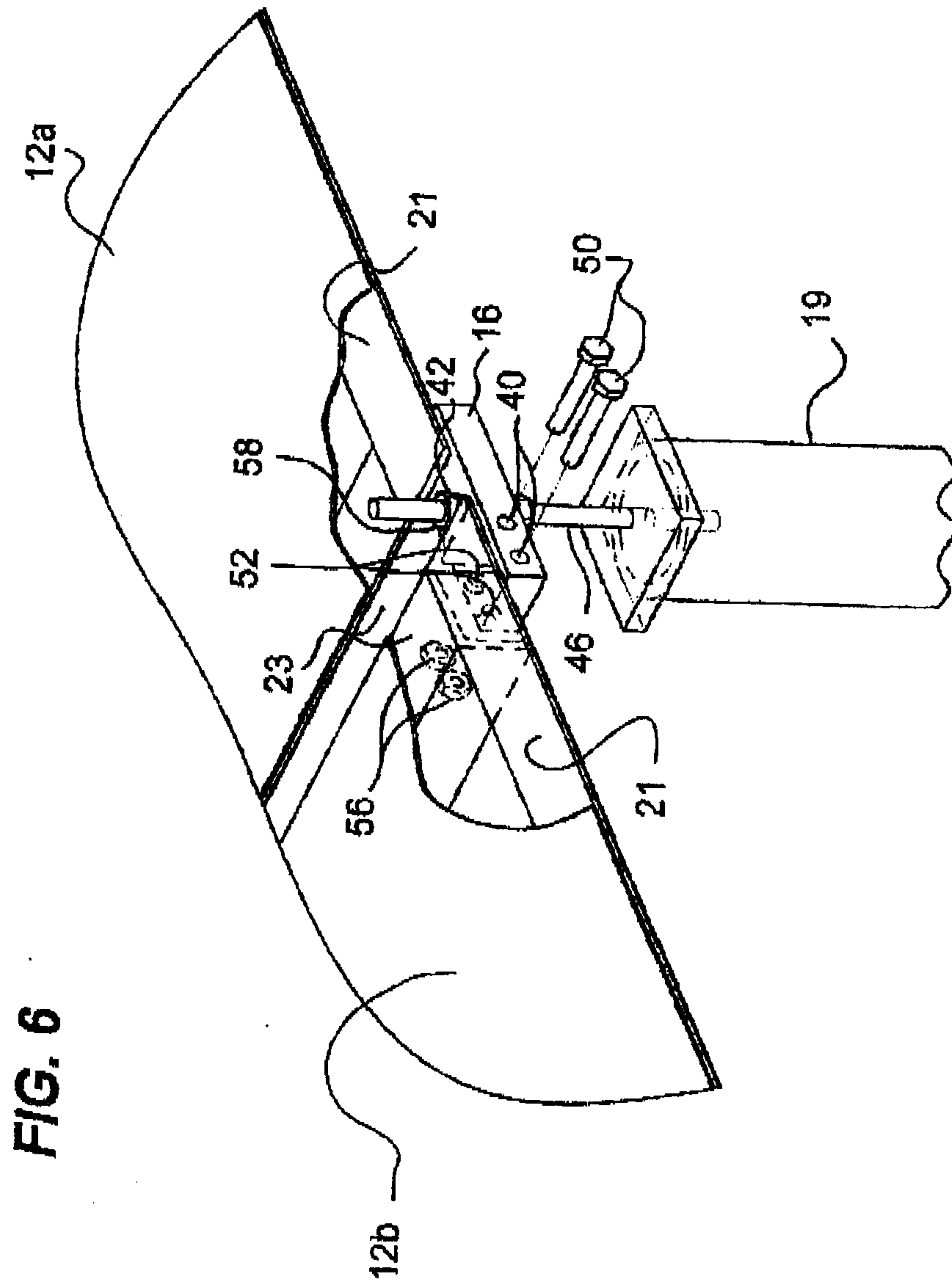


FIG. 5





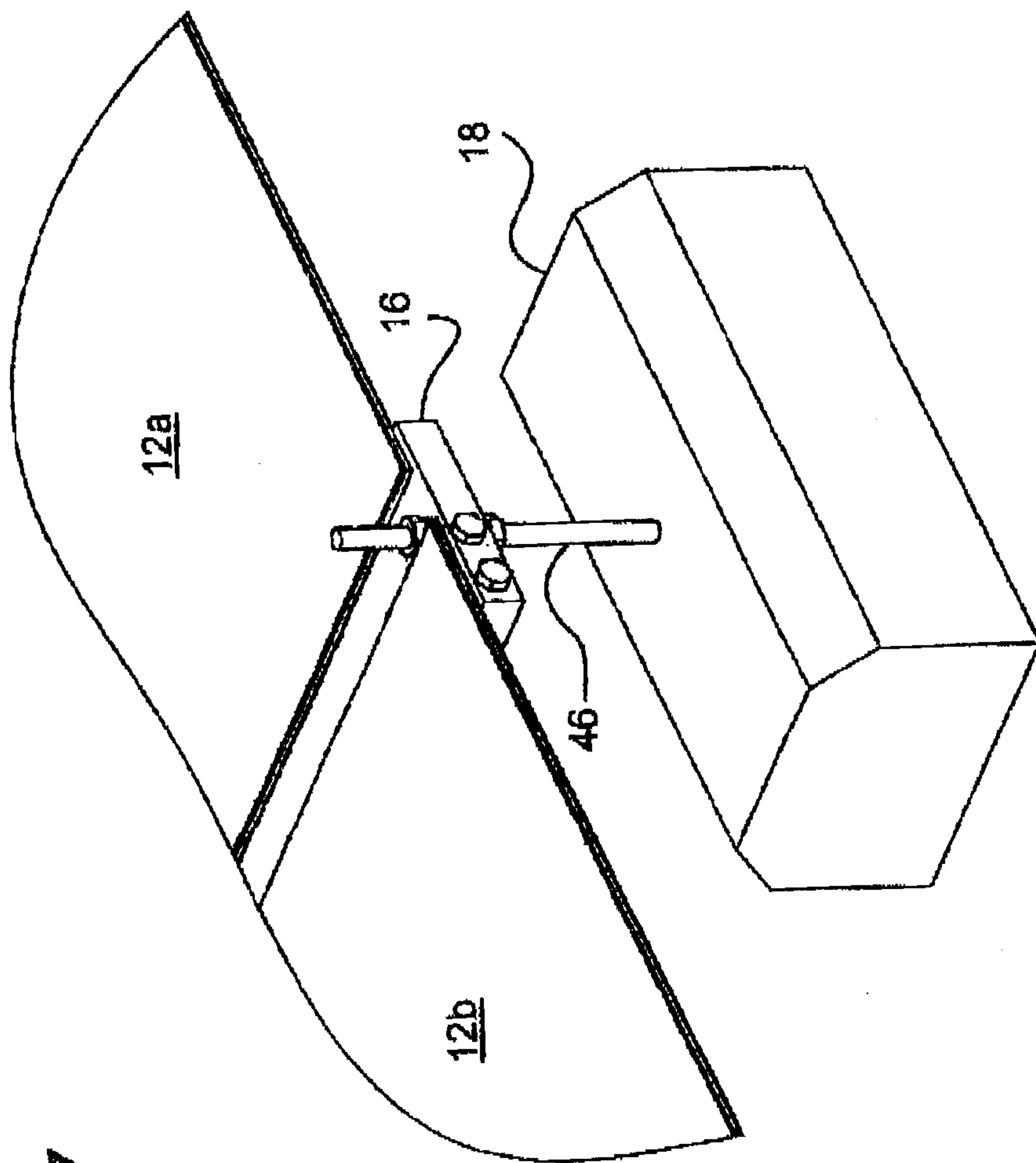


FIG. 7

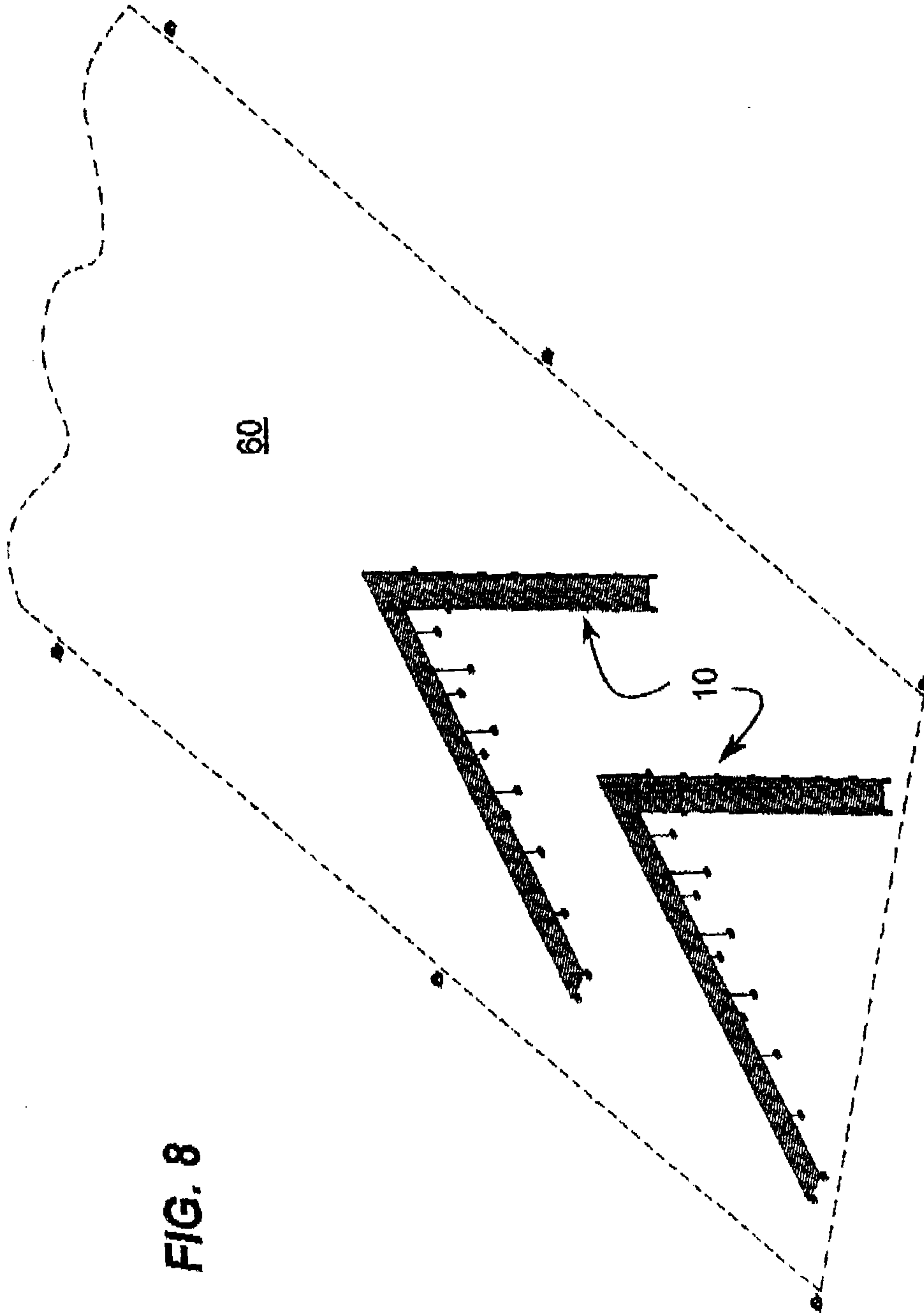


FIG. 8

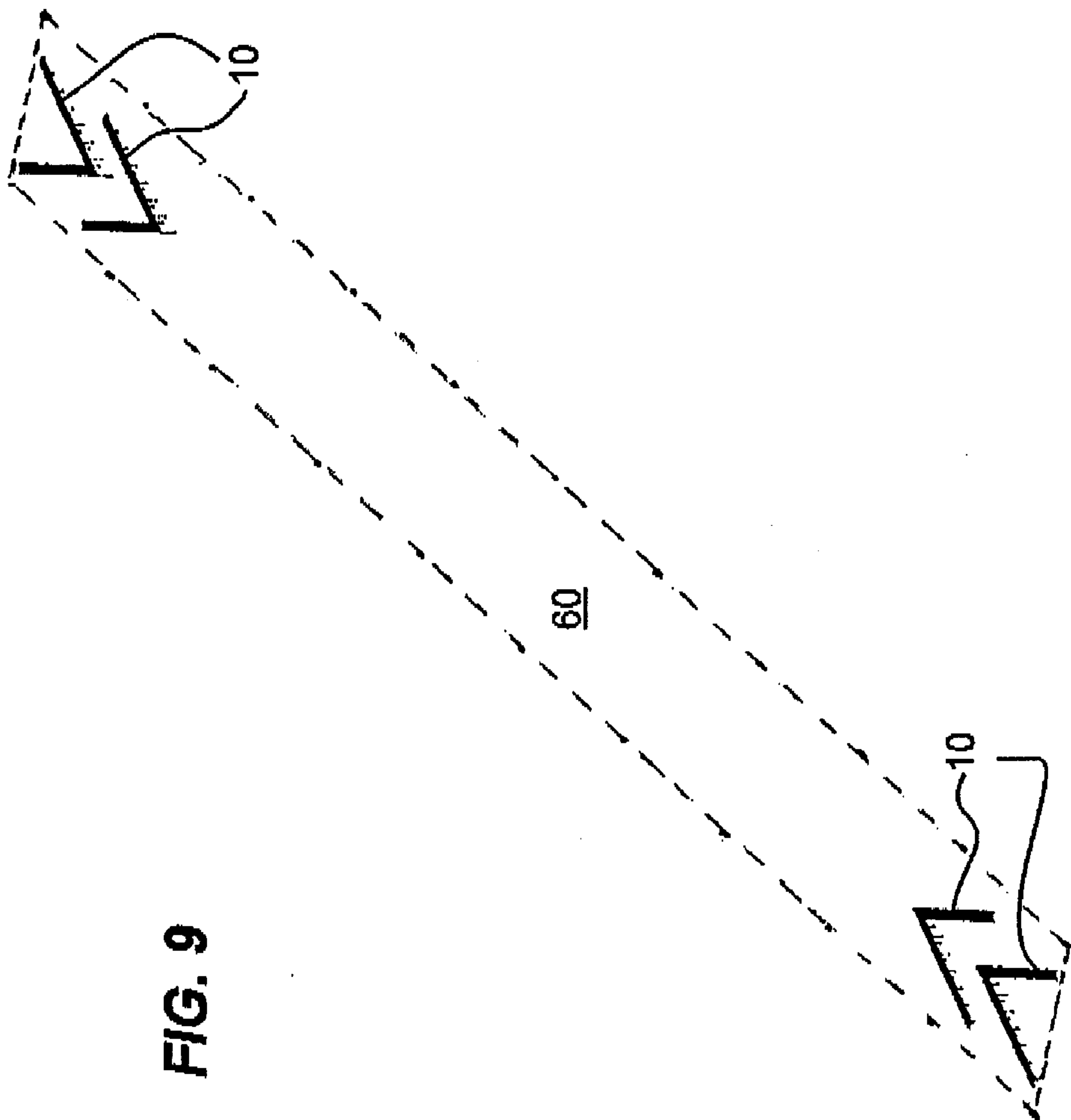
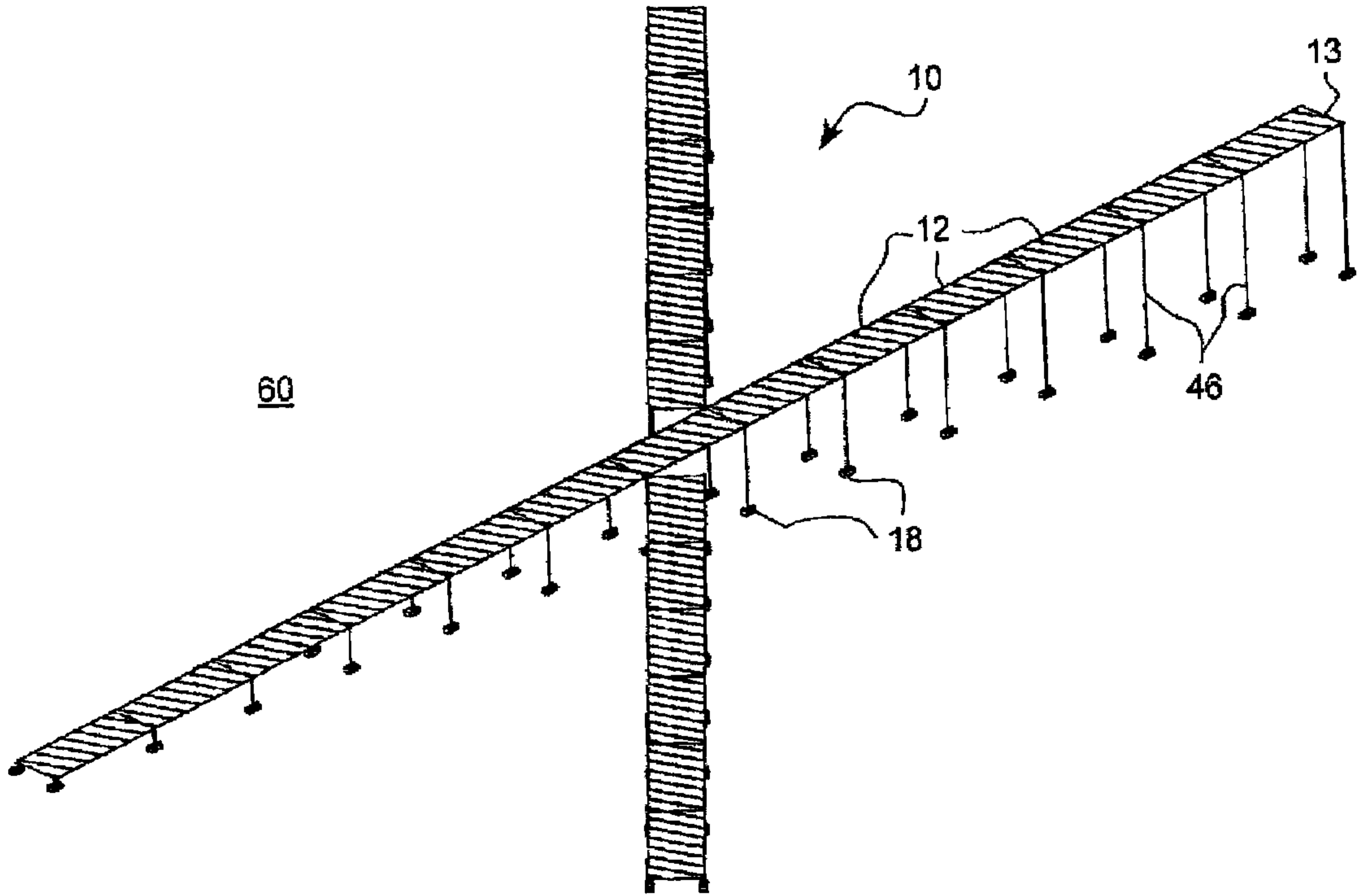


FIG. 9



60

10

13

12

46

18