



US00D769432S

(12) **United States Design Patent** (10) **Patent No.:** **US D769,432 S**
Dingle et al. (45) **Date of Patent:** **** Oct. 18, 2016**

(54) **VAPOR COMPRESSION DEHUMIDIFIER**
(75) Inventors: **Steven S. Dingle**, McFarland, WI (US);
James A. Scharping, Jr., Madison, WI
(US)

D577,800 S * 9/2008 Yoon D23/359
D581,111 S * 11/2008 DiPasquale D32/21
D587,868 S * 3/2009 DiPasquale D32/21
7,540,166 B2 6/2009 O'Brien et al.
7,779,643 B2 8/2010 Simons

(Continued)

(73) Assignee: **Technologies Holdings Corp.**, Houston,
TX (US)

FOREIGN PATENT DOCUMENTS

(**) Term: **14 Years**

DE 87 07 953 7/1988
JP 09-089297 A 4/1997
JP 2002-188827 A 7/2002

(21) Appl. No.: **29/420,875**

OTHER PUBLICATIONS

(22) Filed: **May 14, 2012**

Owner's Manual—Phoenix R150 LGR Dehumidifier, Installation,
Operation and Service Instructions, Therma-Stor LLC, Phoenix™
Restoration Equipment, Jan. 2012.

(51) **LOC (10) Cl.** **23-04**

(52) **U.S. Cl.**
USPC **D23/359**

(Continued)

(58) **Field of Classification Search**
USPC D23/364, 355, 356, 359, 360, 386, 366,
D23/369, 332, 333, 335, 342, 351, 365;
D14/188, 170, 172; D18/34.6; D34/24;
D32/21; 422/120, 122; 55/356, 473,
55/504; 96/97; 62/90, 92, 185, 272, 285,
62/292
CPC .. F24F 3/1423; F24F 11/0012; B01D 53/261
See application file for complete search history.

Primary Examiner — David Muller
Assistant Examiner — Nathan Johnston
(74) *Attorney, Agent, or Firm* — Baker Botts L.L.P.

(57) **CLAIM**
The ornamental design for a vapor compression dehumidi-
fier, as shown and described.

(56) **References Cited**

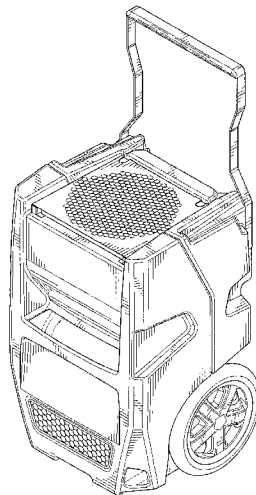
DESCRIPTION

U.S. PATENT DOCUMENTS

2,438,120 A 3/1948 Freygang
2,682,758 A 7/1954 Harris
4,250,629 A 2/1981 Lewis
D338,306 S * 8/1993 White et al. D34/24
5,634,353 A 6/1997 Hallin et al.
5,901,565 A 5/1999 Morton, Jr.
D420,473 S * 2/2000 Shero D32/16
D444,279 S * 6/2001 Kristiansen et al. D34/12
D508,735 S * 8/2005 Klein D23/359
7,194,870 B1 3/2007 O'Brien et al.
7,246,503 B1 7/2007 O'Brien et al.
7,281,389 B1 10/2007 O'Brien et al.
D556,250 S * 11/2007 Kent et al. D18/34.6

FIG. 1 is a perspective view of the vapor compression dehumidifier;
FIG. 2 is a front elevation view thereof;
FIG. 3 is a left side elevation view thereof;
FIG. 4 is a right side elevation view thereof;
FIG. 5 is a rear view elevation view thereof;
FIG. 6 is a top plan view thereof; and,
FIG. 7 is a bottom plan view thereof.
The broken line showing a vapor compression dehumidifier
is included for the purpose of illustrating portions of the
“article” and forms no part of the claimed design.

1 Claim, 6 Drawing Sheets



(56)

References Cited

U.S. PATENT DOCUMENTS

D634,414	S	*	3/2011	Wolfe et al.	D23/359
D655,873	S	*	3/2012	Jin	D32/21
D660,529	S	*	5/2012	Dammkoehler et al.	D32/21
D678,494	S	*	3/2013	Wolfe et al.	D23/359
D712,605	S	*	9/2014	Dammkoehler	D32/21

OTHER PUBLICATIONS

Phoenix R150 Small Size, "Large" Performance, Phoenix™ Restoration Equipment, Sep. 2011.

Australian Government, IP Australia, Report regarding Registration No. 345624, document issued Dec. 6, 2012, Dec. 6, 2012.

Paintsquare News, "Quest Launches Portable DH Unit," Jan. 30, 2012 (one page), Jan. 30, 2012.

General Tool Products, "Quest Portable Climate Control Equipment dehumidifier," Mar. 5, 2012 (one page), Mar. 5, 2012.

Canadian IP Office, Application for Registration of an Industrial Design, Examiner's Report, Application No. 147567 dated Mar. 12, 2013, Mar. 12, 2013.

* cited by examiner

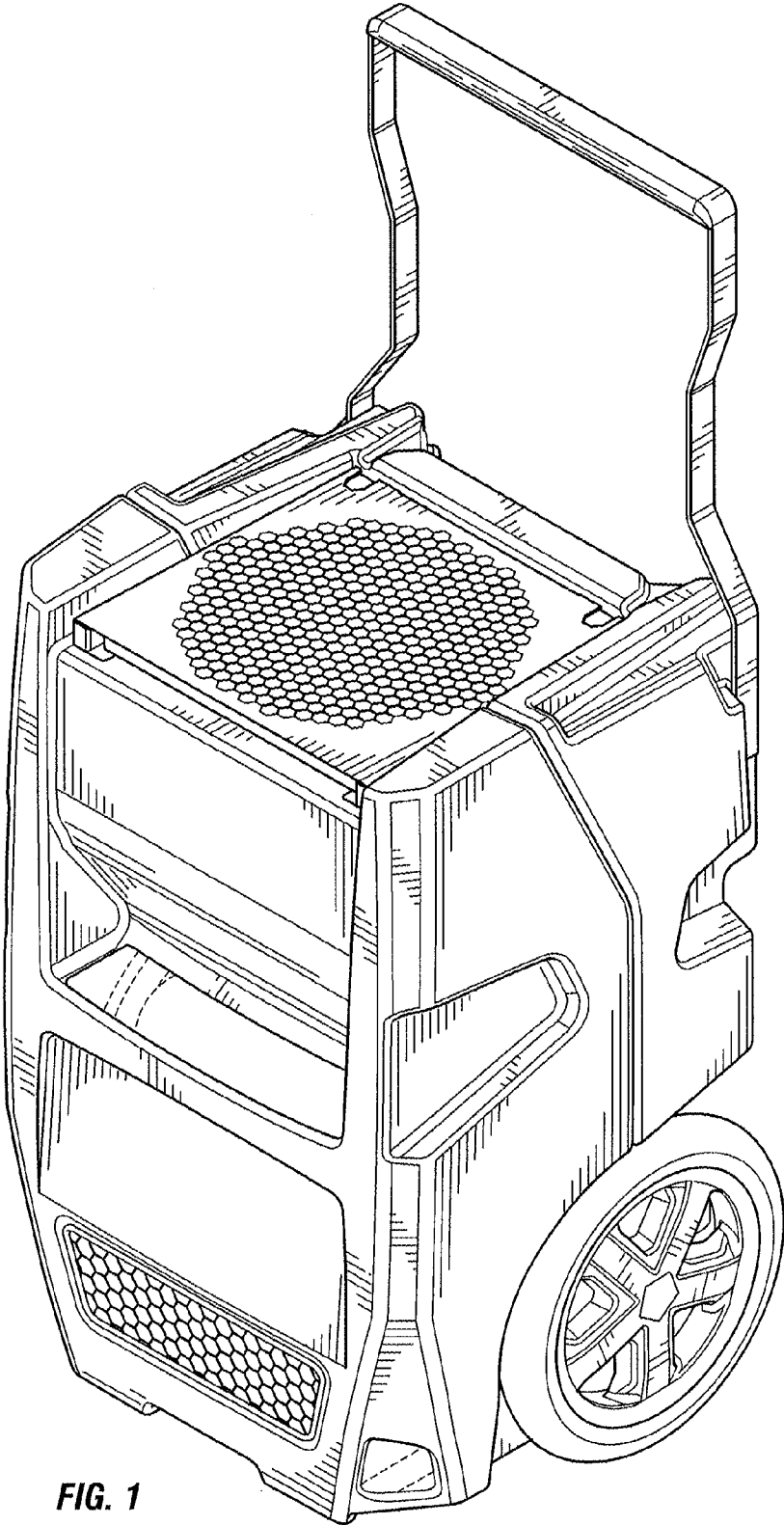


FIG. 1

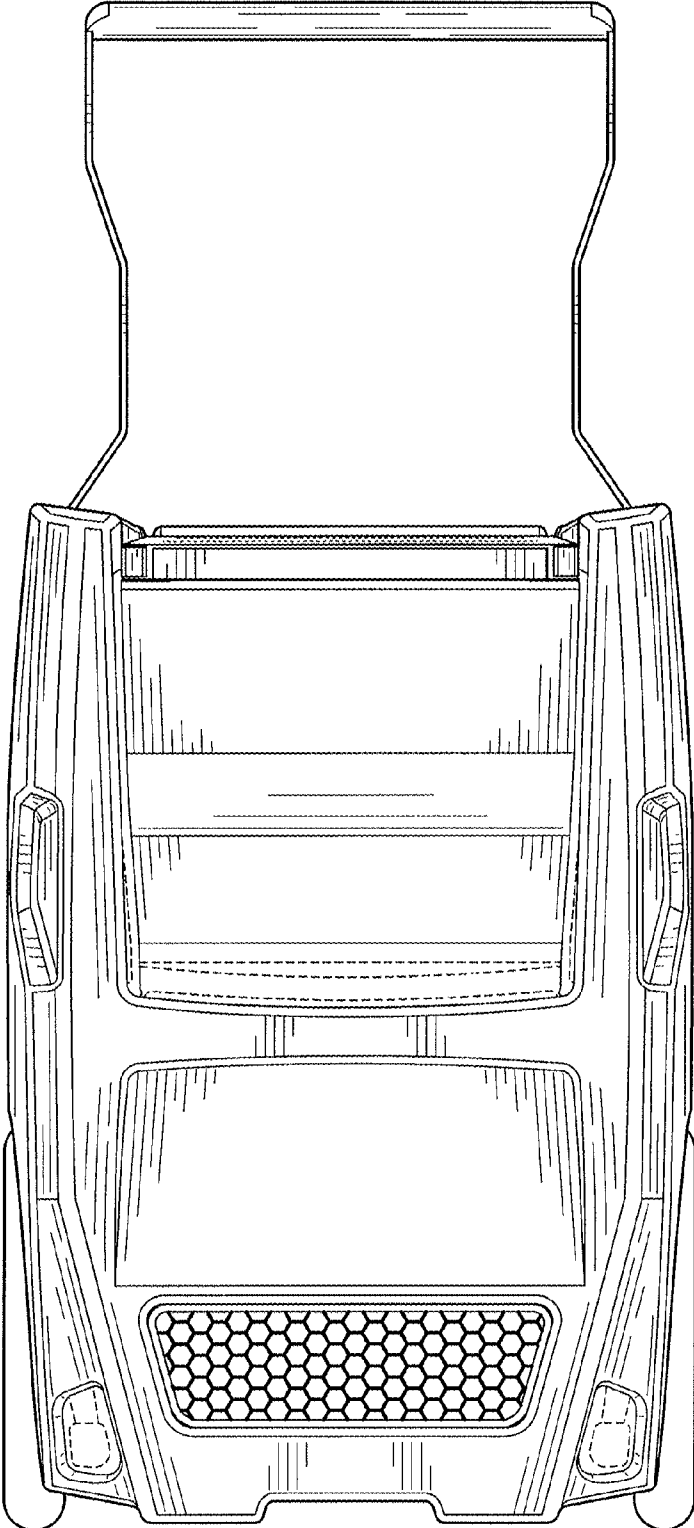


FIG. 2

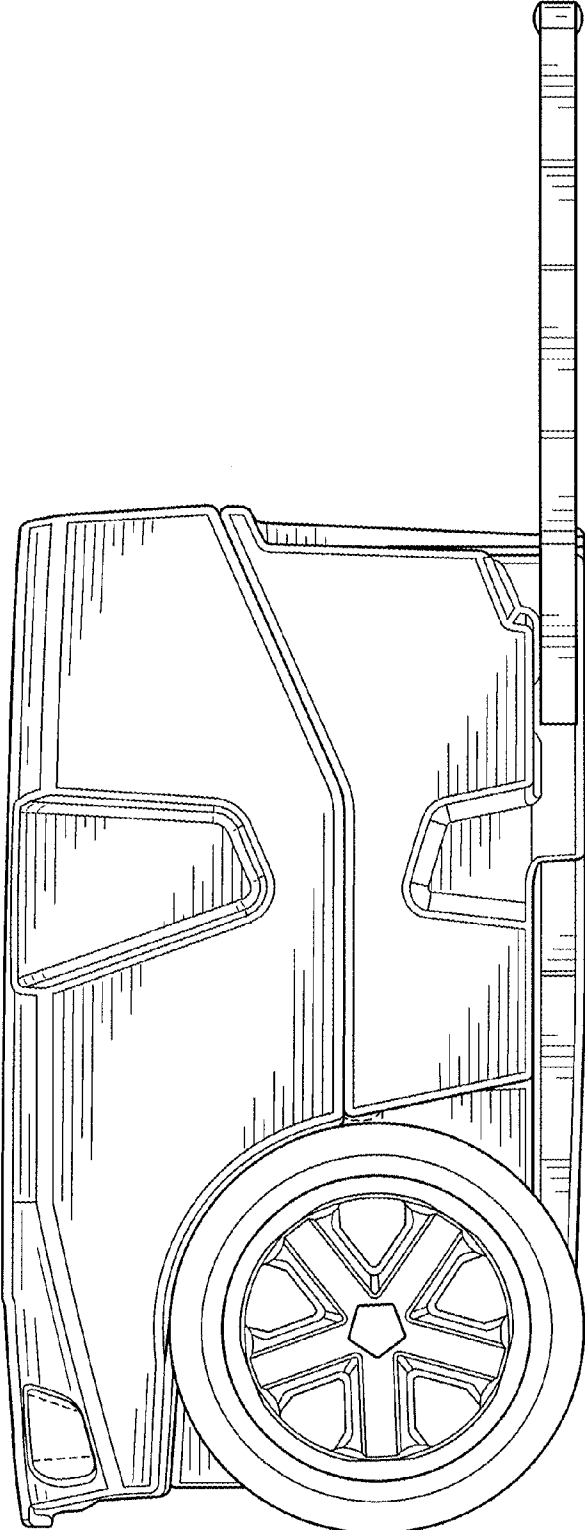


FIG. 3

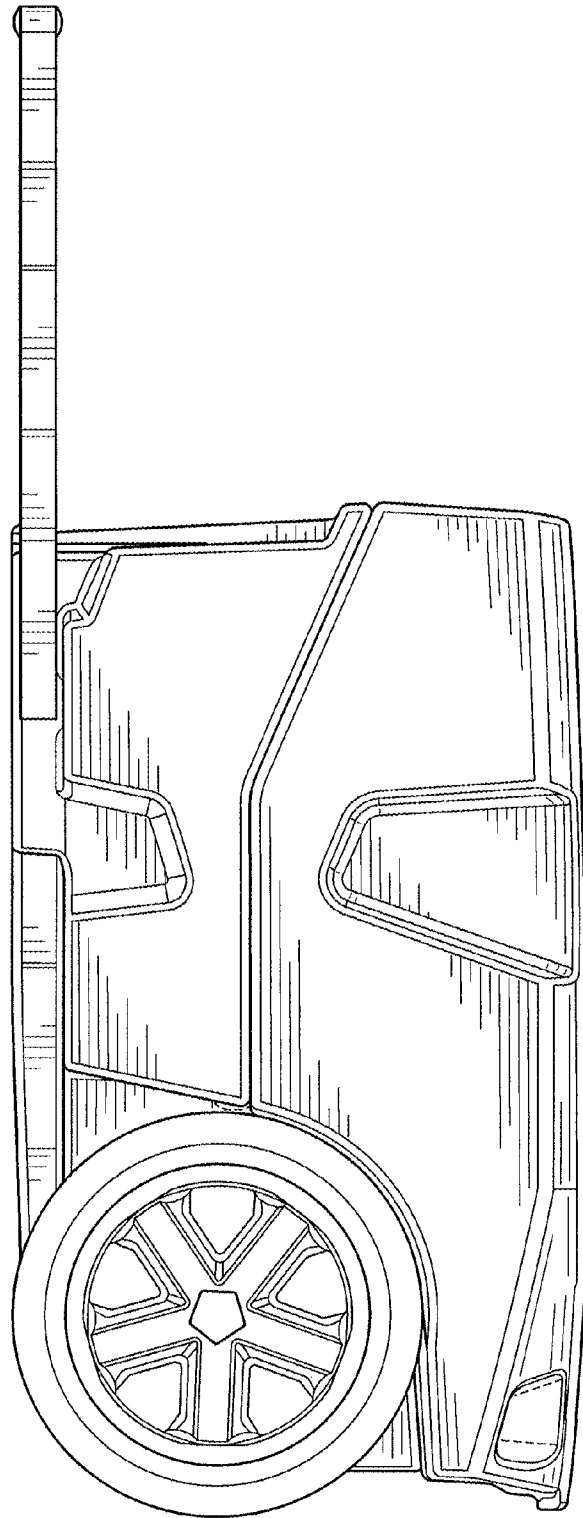


FIG. 4

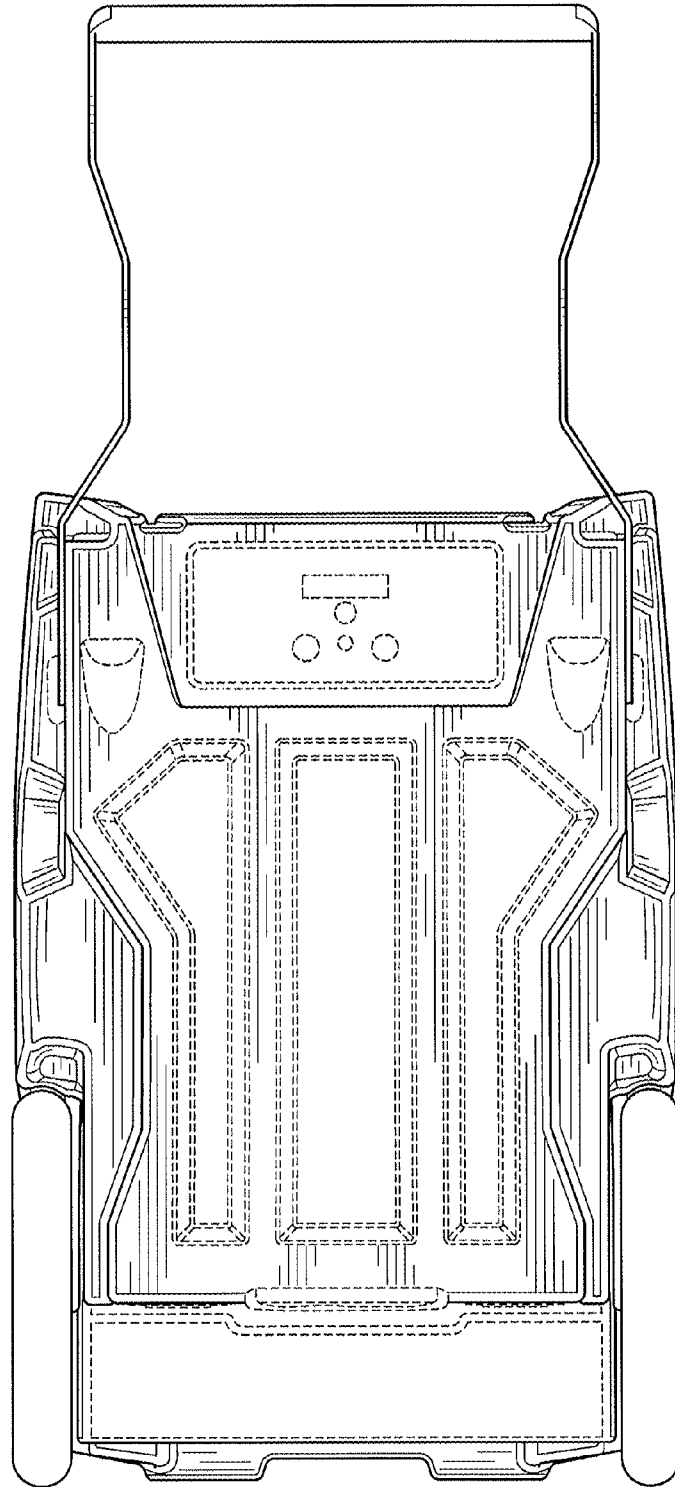


FIG. 5

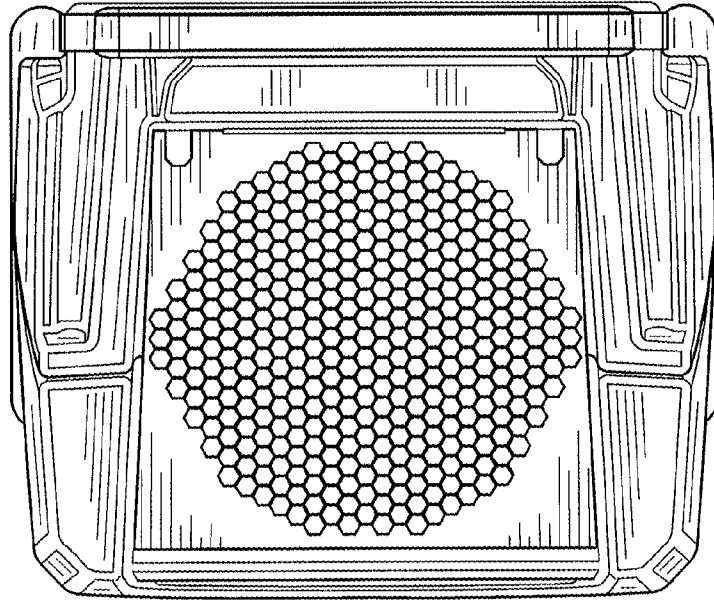


FIG. 6

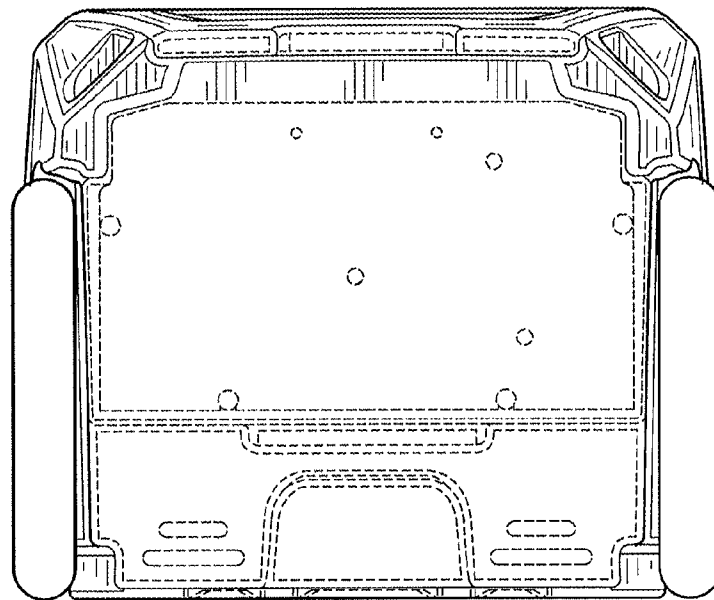


FIG. 7