

(19) World Intellectual Property Organization  
International Bureau



(43) International Publication Date  
18 September 2008 (18.09.2008)

PCT

(10) International Publication Number  
**WO 2008/112735 A3**

- (51) International Patent Classification:  
*H05B 33/08* (2006.01)
- (21) International Application Number:  
PCT/US2008/056608
- (22) International Filing Date: 12 March 2008 (12.03.2008)
- (25) Filing Language: English
- (26) Publication Language: English
- (30) Priority Data:  
60/894,295 12 March 2007 (12.03.2007) US  
11/695,024 1 April 2007 (01.04.2007) US
- (71) Applicant (for all designated States except US): **CIRRUS LOGIC, INC.** [US/US]; 2901 Via Fortuna, Austin, TX 78746 (US).

AO, AT, AU, AZ, BA, BB, BG, BH, BR, BW, BY, BZ, CA, CH, CN, CO, CR, CU, CZ, DE, DK, DM, DO, DZ, EC, EE, EG, ES, FI, GB, GD, GE, GH, GM, GT, HN, HR, HU, ID, IL, IN, IS, JP, KE, KG, KM, KN, KP, KR, KZ, LA, LC, LK, LR, LS, LT, LU, LY, MA, MD, ME, MG, MK, MN, MW, MX, MY, MZ, NA, NG, NI, NO, NZ, OM, PG, PH, PL, PT, RO, RS, RU, SC, SD, SE, SG, SK, SL, SM, SV, SY, TJ, TM, TN, TR, TT, TZ, UA, UG, US, UZ, VC, VN, ZA, ZM, ZW.

(84) Designated States (unless otherwise indicated, for every kind of regional protection available): ARIPO (BW, GH, GM, KE, LS, MW, MZ, NA, SD, SL, SZ, TZ, UG, ZM, ZW), Eurasian (AM, AZ, BY, KG, KZ, MD, RU, TJ, TM), European (AT, BE, BG, CH, CY, CZ, DE, DK, EE, ES, FI, FR, GB, GR, HR, HU, IE, IS, IT, LT, LU, LV, MC, MT, NL, NO, PL, PT, RO, SE, SI, SK, TR), OAPI (BF, BJ, CF, CG, CI, CM, GA, GN, GQ, GW, ML, MR, NE, SN, TD, TG).

- (72) Inventors: **MELANSON, John, L.**; 901 W. 9th Street, #201, Austin, TX 78703 (US). **PAULOS, John, J.**; 6309 W. Courtyard Dr., Austin, Texas 78739 (US).
- (74) Agent: **CHAMBERS, Kent, B.**; Hamilton & Terrile. LLP, P.O. Box 203518, Austin, TX 78720 (US).
- (81) Designated States (unless otherwise indicated, for every kind of national protection available): AE, AG, AL, AM,

**Published:**

- with international search report
- before the expiration of the time limit for amending the claims and to be republished in the event of receipt of amendments

(88) Date of publication of the international search report:  
12 March 2009

(54) Title: LIGHTING SYSTEM WITH LIGHTING DIMMER OUTPUT MAPPING

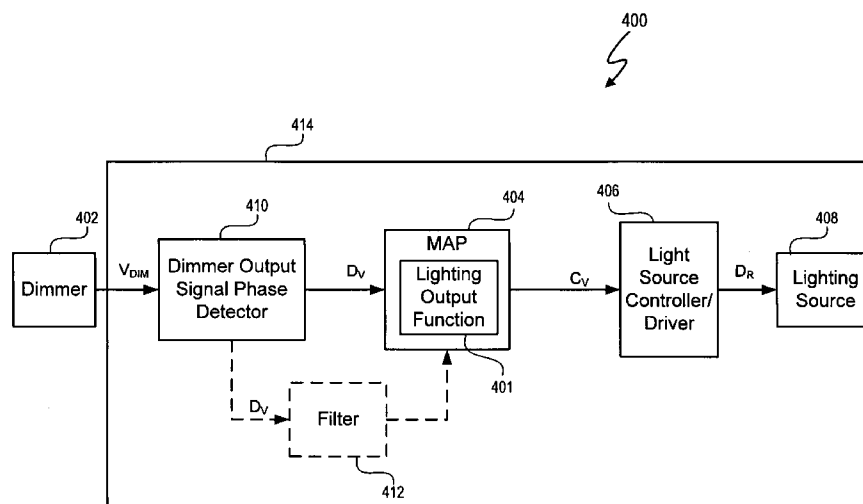


Figure 4A

(57) Abstract: A system and method map dimming levels of a lighting dimmer to light source control signals using a predetermined lighting output function. The dimmer generates a dimmer output signal value. At any particular period of time, the dimmer output signal value represents one of multiple dimming levels. In at least one embodiment, the lighting output function maps the dimmer output signal value to a dimming value different than the dimming level represented by the dimmer output signal value. The lighting output function converts a dimmer output signal values corresponding to measured light levels to perception based light levels. A light source driver operates a light source in accordance with the predetermined lighting output function. The system and method can include a filter to modify at least a set of the dimmer output signal values prior to mapping the dimmer output signal values to a new dimming level.

WO 2008/112735 A3

# INTERNATIONAL SEARCH REPORT

International application No  
PCT/US2008/056608

<b>A. CLASSIFICATION OF SUBJECT MATTER</b> INV. H05B33/08				
According to International Patent Classification (IPC) or to both national classification and IPC				
<b>B. FIELDS SEARCHED</b>				
Minimum documentation searched (classification system followed by classification symbols) H05B				
Documentation searched other than minimum documentation to the extent that such documents are included in the fields searched				
Electronic data base consulted during the international search (name of data base and, where practical, search terms used) EPO-Internal				
<b>C. DOCUMENTS CONSIDERED TO BE RELEVANT</b>				
Category*	Citation of document, with indication, where appropriate, of the relevant passages	Relevant to claim No.		
X	WO 2007/026170 A (MOOD CONCEPTS LTD [GB]; SUMMERLAND DAVID THOMAS [GB] LIGHT LTD E [GB];) 8 March 2007 (2007-03-08)	1-7, 11-15, 23-29, 32-34, 37, 38		
Y	page 5, line 24 - page 12, line 24; figure 1 page 16, lines 24,25	8-10, 16-19, 30, 31, 35, 36, 39		
-----				
-/--				
<input checked="" type="checkbox"/> Further documents are listed in the continuation of Box C. <span style="margin-left: 200px;"><input checked="" type="checkbox"/> See patent family annex.</span>				
* Special categories of cited documents:				
<table style="width: 100%; border: none;"> <tr> <td style="width: 50%; border: none; vertical-align: top;">                     *A* document defining the general state of the art which is not considered to be of particular relevance                      *E* earlier document but published on or after the international filing date                      *L* document which may throw doubts on priority claim(s) or which is cited to establish the publication date of another citation or other special reason (as specified)                      *O* document referring to an oral disclosure, use, exhibition or other means                      *P* document published prior to the international filing date but later than the priority date claimed                 </td> <td style="width: 50%; border: none; vertical-align: top;">                     *T* later document published after the international filing date or priority date and not in conflict with the application but cited to understand the principle or theory underlying the invention                      *X* document of particular relevance; the claimed invention cannot be considered novel or cannot be considered to involve an inventive step when the document is taken alone                      *Y* document of particular relevance; the claimed invention cannot be considered to involve an inventive step when the document is combined with one or more other such documents, such combination being obvious to a person skilled in the art.                      *&amp;* document member of the same patent family                 </td> </tr> </table>			*A* document defining the general state of the art which is not considered to be of particular relevance *E* earlier document but published on or after the international filing date *L* document which may throw doubts on priority claim(s) or which is cited to establish the publication date of another citation or other special reason (as specified) *O* document referring to an oral disclosure, use, exhibition or other means *P* document published prior to the international filing date but later than the priority date claimed	*T* later document published after the international filing date or priority date and not in conflict with the application but cited to understand the principle or theory underlying the invention *X* document of particular relevance; the claimed invention cannot be considered novel or cannot be considered to involve an inventive step when the document is taken alone *Y* document of particular relevance; the claimed invention cannot be considered to involve an inventive step when the document is combined with one or more other such documents, such combination being obvious to a person skilled in the art. *&* document member of the same patent family
*A* document defining the general state of the art which is not considered to be of particular relevance *E* earlier document but published on or after the international filing date *L* document which may throw doubts on priority claim(s) or which is cited to establish the publication date of another citation or other special reason (as specified) *O* document referring to an oral disclosure, use, exhibition or other means *P* document published prior to the international filing date but later than the priority date claimed	*T* later document published after the international filing date or priority date and not in conflict with the application but cited to understand the principle or theory underlying the invention *X* document of particular relevance; the claimed invention cannot be considered novel or cannot be considered to involve an inventive step when the document is taken alone *Y* document of particular relevance; the claimed invention cannot be considered to involve an inventive step when the document is combined with one or more other such documents, such combination being obvious to a person skilled in the art. *&* document member of the same patent family			
Date of the actual completion of the international search	Date of mailing of the international search report			
16 January 2009	22/01/2009			
Name and mailing address of the ISA/ European Patent Office, P.B. 5818 Patentlaan 2 NL - 2280 HV Rijswijk Tel. (+31-70) 340-2040, Fax: (+31-70) 340-3016	Authorized officer  Ferla, Monica			

## INTERNATIONAL SEARCH REPORT

International application No

PCT/US2008/056608

C(Continuation). DOCUMENTS CONSIDERED TO BE RELEVANT		
Category*	Citation of document, with indication, where appropriate, of the relevant passages	Relevant to claim No.
X	US 2004/239262 A1 (IDO SHIGERU [JP] ET AL IDO SHIGERU [JP] ET AL) 2 December 2004 (2004-12-02)	15-22, 34-36
Y	paragraphs [0033] - [0036]; figure 1  paragraphs [0040] - [0046]; figures 3-7 -----	8-10, 16-19, 30, 31, 35, 36, 39
X	US 2006/125420 A1 (BOONE MICHAEL [US] ET AL) 15 June 2006 (2006-06-15)  paragraphs [0080] - [0107]; figures 4-7, 8A -----	1-6, 11, 12, 23-28, 33
X	US 7 145 295 B1 (LEE RONG-CHIN [TW] ET AL) 5 December 2006 (2006-12-05)  column 2, line 6 - column 5, line 21; figures 2-4 -----	1, 3, 6, 11, 12, 23, 25, 27, 28, 33

# INTERNATIONAL SEARCH REPORT

Information on patent family members

International application No

PCT/US2008/056608

Patent document cited in search report	Publication date	Publication date	Patent family member(s)	Publication date
WO 2007026170	A	08-03-2007	EP 1920638 A2	14-05-2008
US 2004239262	A1	02-12-2004	AU 2003238693 A1	12-12-2003
			DE 10392152 T5	14-10-2004
			WO 03101151 A2	04-12-2003
			JP 4175027 B2	05-11-2008
			JP 2003347096 A	05-12-2003
US 2006125420	A1	15-06-2006	NONE	
US 7145295	B1	05-12-2006	NONE	