

SPOOR & FISHER



201002801

17

FORM P.8
(To be lodged in duplicate)

REPUBLIC OF SOUTH AFRICA
PATENTS ACT, 1978

PUBLICATION PARTICULARS AND ABSTRACT

(Section 32(3)(a) – Regulation 22(1)(g) and 31)

OFFICIAL APPLICATION NO.

LODGING DATE

ACCEPTANCE DATE

21	2010/02801
----	------------

22	21 APR 2010
----	-------------

43	12.1.2010
----	-----------

INTERNATIONAL CLASSIFICATION

NOT FOR PUBLICATION

51	F24C
----	------

CLASSIFIED BY: Client

FULL NAMES OF APPLICANT

71	NIRO-PLAN AG
----	--------------

FULL NAMES OF INVENTORS

72	1. CAGLIARI, ALESSANDRO 2. GAETARELLI, LUCA
----	--

EARLIEST PRIORITY CLAIMED

COUNTRY

NUMBER

DATE

33	IT
----	----

31	BG2009U000007
----	---------------

32	22 APR 2009
----	-------------

TITLE OF INVENTION

54	KITCHEN OVEN DOOR
----	-------------------

57	ABSTRACT (NOT MORE THAT 150 WORDS)
----	------------------------------------

NUMBER OF SHEETS	16
------------------	----

If no classification is finished, Form P.9 should accompany this form.
The figure of the drawing to which the abstract refers is attached.

2010/02801

ABSTRACT

Kitchen oven door comprising a perimeter framework; at least two sheet-like elements supported by said framework and removable from it; characterised in that it comprises at least one structural element having a first closed position and a second open position; said structural element in said first closed position retains one of said at least two sheet-like elements; said structural element in said second open position releases one of said at least two sheet-like elements and opposes the closure of said door. (Fig. 1)



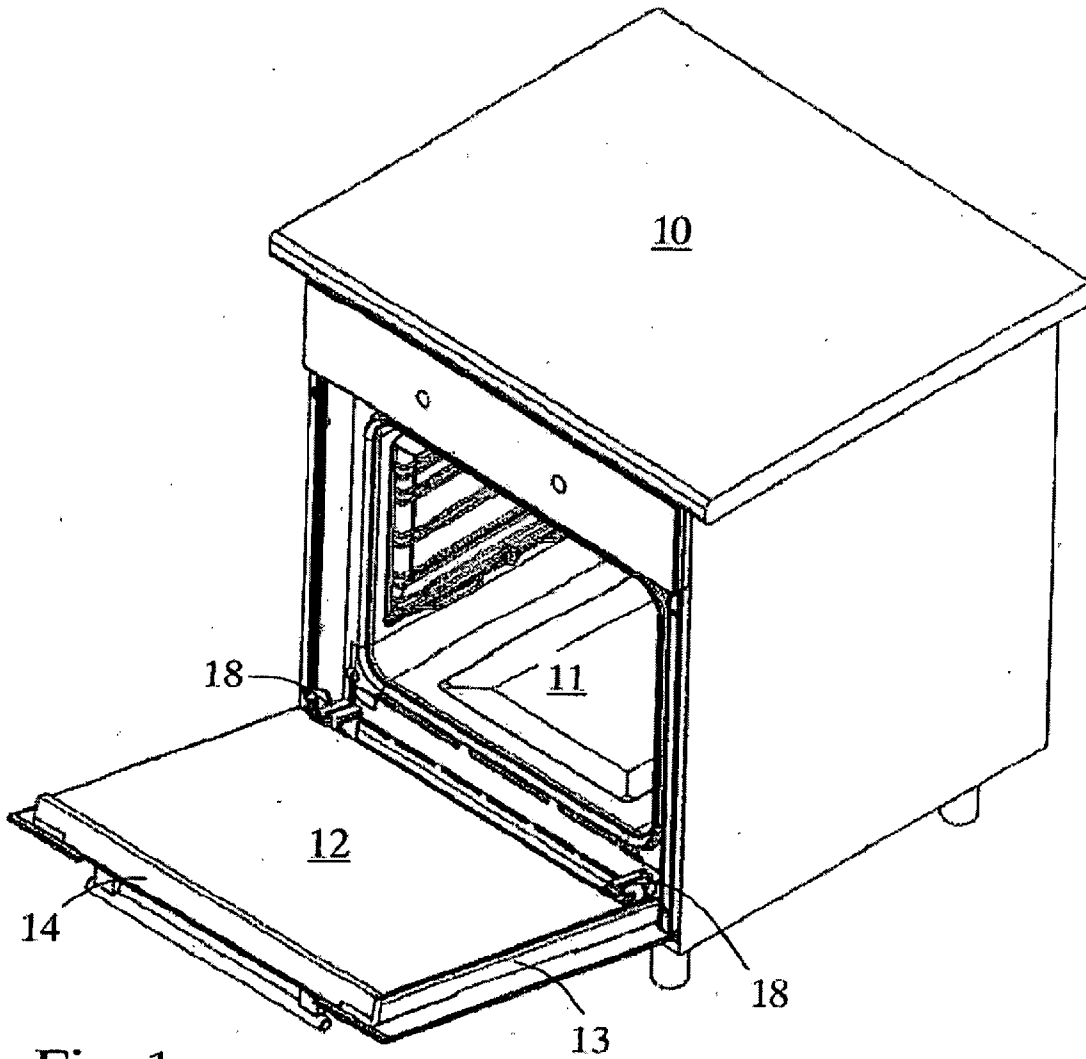


Fig. 1



DESCRIPTION

The present inventions refers to a kitchen oven door.

Various types of kitchen oven doors are known, and in general they are all provided with one or more glass panels (or other materials suitable for high temperatures) for insulation of the glass combined with the door and in contact with the external environment.

Each glass panel is separated and spaced from the one nearby by means of appropriate spacers positioned laterally to the glass panels.

This is due essentially to the need to prevent dispersion of the heat to the outside and to avoid users accidentally sustaining burns when they come into contact with the outer glass.

During use of the oven, the glass can become dirty and may have to be cleaned. For easier and more effective cleaning of the glass panels, it is advisable to remove them from the door.

Since the hinge springs are sized to keep the door balanced when it is completely equipped, if the user removes one or more of the glass panels from the door,

with the door mounted on the oven, the force exerted by the springs, since it is no longer compensated for by the weight of the glass, would cause the door to shut violently with the risk of injury.

The user is therefore obliged to remove the door from the oven in order to disassemble the glass panels for cleaning.

The object of the present invention is to provide a kitchen oven door able to eliminate or at least drastically reduce the drawbacks of the known art.

A further object of the present invention is to make available an oven door which allows the glass panel(s) of the door to be removed in a simple manner.

A further object of the present invention is to obtain a door which is of simple construction and has a competitive production cost.

In accordance with the present invention, said objects and others are achieved by a kitchen oven door comprising a perimeter framework; at least two sheet-like elements supported by said framework and removable from it; characterised in that it comprises at least one structural element having a first closed position and a second open position; said structural element in said first closed position retains one of said at least two sheet-like

elements; said structural element in said second open position releases one of said at least two sheet-like elements and opposes the closure of said door.

Further characteristics of the invention are described in the dependent claims.

The present solution integrates the function of releasing the inner glass panels with the function of preventing rotation of the unbalanced door.

When the movable part rotates, it rests on the face of the oven, preventing the door from closing even if the weight is reduced due to removal of the glass.

The characteristics and advantages of the present invention will be evident from the following detailed description of a practical embodiment thereof, illustrated by way of non-limiting example in the accompanying drawings, in which:

figure 1 shows an oven, seen in perspective, according to the present invention;

figure 2 shows an oven door, seen in perspective, according to the present invention;

figure 3 shows a portion of an oven with a catch of the door in the closed position, according to the present invention;

figure 4 shows a portion of an oven with a catch of the door in the open position, according to the present invention;

figure 5 shows a catch of the door seen in perspective in the closed position, according to the present invention;

figure 6 shows a fixed portion of a catch of the door, according to the present invention;

figure 7 shows a movable portion of a catch of the door, according to the present invention.

Referring to the attached figures, an oven 10, according to the present invention, comprises a cooking chamber 11 and a door 12 suitable for closing the chamber 11.

The door 12 consists of a perimeter framework comprising two lateral uprights 13 and an upper cross member 14 which retain, inside, three sheet-like elements (typically glass) 15, 16 and 17 respectively. They are opposite, spaced and parallel to one another, so that between the uprights 13, the cross member 14 and the three glass panels 15, 16 and 17, a thermally insulating cavity is formed.

In particular, the first glass 15 is the outer one with respect to the chamber 11, the second glass 16 is the intermediate one and the third glass 17 is the inner one, i.e. the one facing the chamber 11.

In the embodiment example described here, there are three glass panels but they can be of any number.

The perimeter framework of the door 12 is combined with the chamber 11 by means of a pair of hinges 18 and relative springs (not shown), suitable for allowing opening and closing of the door.

The hinges 18 are fixed laterally to and below the uprights 13.

The door 12 of the oven furthermore comprises, in the vicinity of the hinges 18, two blocks 19, composed of a fixed part 20, integral with the uprights 13, and a movable part 21.

The uprights 13 comprise a U-shaped bar inside which, at their lower end, the hinges 18 are fixed.

The two blocks 19 are fixed laterally to the U-shaped bar, at their lower end, in the inner part of the door 12, beside the hinges 18.

The fixed part 20 has a foot 30, which extends externally and at the bottom on a short side of the fixed part 20.

On a short side of the movable part 21, a portion 29 extends beyond the fixed part 20, on the side of the foot 30, and opposes it. The block 19 seen laterally has a substantially U-shaped form rotated by 90°.

The blocks 19, both the movable part 21 and the fixed part 20 (with the exception of the foot 30) substantially both have the form of a parallelepiped, with the fixed part 20 of larger dimensions (height) than the movable part 21, which rotates.

The fixed part 20 comprises two holes. A first hole 31 is positioned crosswise in order to fix the block 19, by means of a screw or bolt, on the upright 13. A second hole 32 positioned vertically on the fixed part 20, opposite the foot 30, is provided in order to cooperate with a pin 33, positioned on the movable part 21. In this way the movable part 21 can rotate around the pin 33. The pin 33 is positioned substantially in the vicinity of a short side of the movable part 21, and laterally to a central axis of the movable part 21.

Beside the pin 33, on the surface of the movable part 21 which faces the fixed part 20, there is a protrusion 40 which fits into a slot 41 beside the hole 32 of the fixed part 20, which during the movement of the movable part 21 is below the undercut 42 positioned around the hole

32.

On a circumference coaxial with that of the pin 33, a protrusion 43 in the form of an arc of a circle is positioned. The protrusion 43 runs in the circular slot 44, positioned around the hole 32, which acts as a guide during rotation of the movable part 21. The protrusion 43 comprises, in its central part, raised elements 45 which cooperate with grooves 46 positioned along a longitudinal central axis of the fixed part and temporarily block the movable part 21 in the open and closed position.

A slot 34 which represents an arc of a circle is also provided on the fixed part 20. It is positioned in the vicinity of the foot 30 and therefore opposite the hole 32. It has a radius of curvature equal to the distance between this slot 34 and the centre of the hole 32.

The slot 34 terminates on one side in a blind part while on the other it is accessible throughout its depth, which is equal to the height of the fixed part 20 minus the height of the foot 30.

The movable part 21, at the level of the slot 34, has a protrusion 35 in the form of an arc of a circle. The protrusion 35 runs in the slot 34, which acts as a guide, during rotation of the movable part 21.

Laterally to the movable part 21, at the height of the profile 35, a bar 36 which terminates in a chamfered foot 37 is connected perpendicular to said movable part. The foot 37 is fixed perpendicular to the bar 36, in a direction internal to the movable part 21.

Said chamfered foot 37 cooperates with a chamfer 38 made in the fixed part 20 in the vicinity of the slot 34, so that when the movable part is re-closed, the foot 37 and the chamfer 38 interfere with one another, thus avoiding accidental opening of the movable part 21.

The block 19 is preferably made of plastic able to withstand the oven temperatures.

Any materials and dimensions can be used, however, according to requirements and the state of the art.

Operation of the device according to the invention is evident from what is described and illustrated and, in particular, is substantially as follows.

The movable part 21 of the blocks 19, in the closed position, has the portion 29 which develops externally to the fixed central part 20 and opposes at least partially the foot 30. In the closed position, the block 19 with the outer part 29 of the movable part 21 retains the outer glass in position and the foot 30 sustains the inner glass.

The movable part 21 can rotate 180° on the pin 33 to reach an open position.

In this position, as the pin is out of line with respect to the main axis of the fixed part 20, it is extended externally with respect to the fixed part 20, in an opposite position with respect to the foot 30.

In this way its outer end rests on the face 22 of the oven, preventing the door 12 from closing also when the weight is reduced due to removal of the glass panels.

Face 22 indicates for example the border of the chamber 11 which abuts against the door 12.

Since the glass panels are no longer retained by the block 19 in the closed position, they can be removed and cleaned, but the door 12 cannot re-close.

Once the glass panels have been cleaned, they are re-positioned and the movable part 21 is rotated again by 180°; the door can then be closed and the glass panels are retained in position by the portion 29 of the movable part 21 which extends beyond the fixed part 20.

The kitchen oven door thus conceived is subject to numerous modifications and variations, all falling within the scope of the inventive concept; furthermore all the details can be replaced by technically equivalent elements.

CLAIMS

1. A kitchen oven door comprising a perimeter framework; at least two sheet-like elements supported by said framework and removable from it; characterised in that it comprises at least one structural element having a first closed position and a second open position; said structural element in said first closed position retains one of said at least two sheet-like elements; said structural element in said second open position releases one of said at least two sheet-like elements and opposes the closure of said door.

2. The device as claimed in claim 1 characterised in that said structural element in said second open position opposes the face of said oven.

3. The device as claimed in claim 1 characterised in that said at least two sheet-like elements are made of vitreous material.

4. The device as claimed in claim 1, characterised in that said at least one structural element passes from said first closed position to said second open position by means of rotation.

5. The device as claimed in claim 1 characterised in that said at least one structural element comprises a fixed part and a movable part, said movable part being rotating with respect to said fixed part.

6. The device as claimed in claim 5 characterised in that said at least one structural element in said first closed position comprises said movable part which extends in a first direction with respect to said fixed part, retaining one of said at least two sheet-like elements.

7. The device as claimed in claim 6 characterised in that said at least one structural element in said second open position comprises said movable part which extends in a second direction with respect to said fixed part so as to rest on the face of said oven.

8. The device as claimed in claim 7 characterised in that said movable part rotates with respect to said fixed part, thus setting to said first closed position or said second position.

DATED THIS 21ST DAY OF APRIL 2010.



SPOOR & FISHER

APPLICANT'S PATENT ATTORNEYS

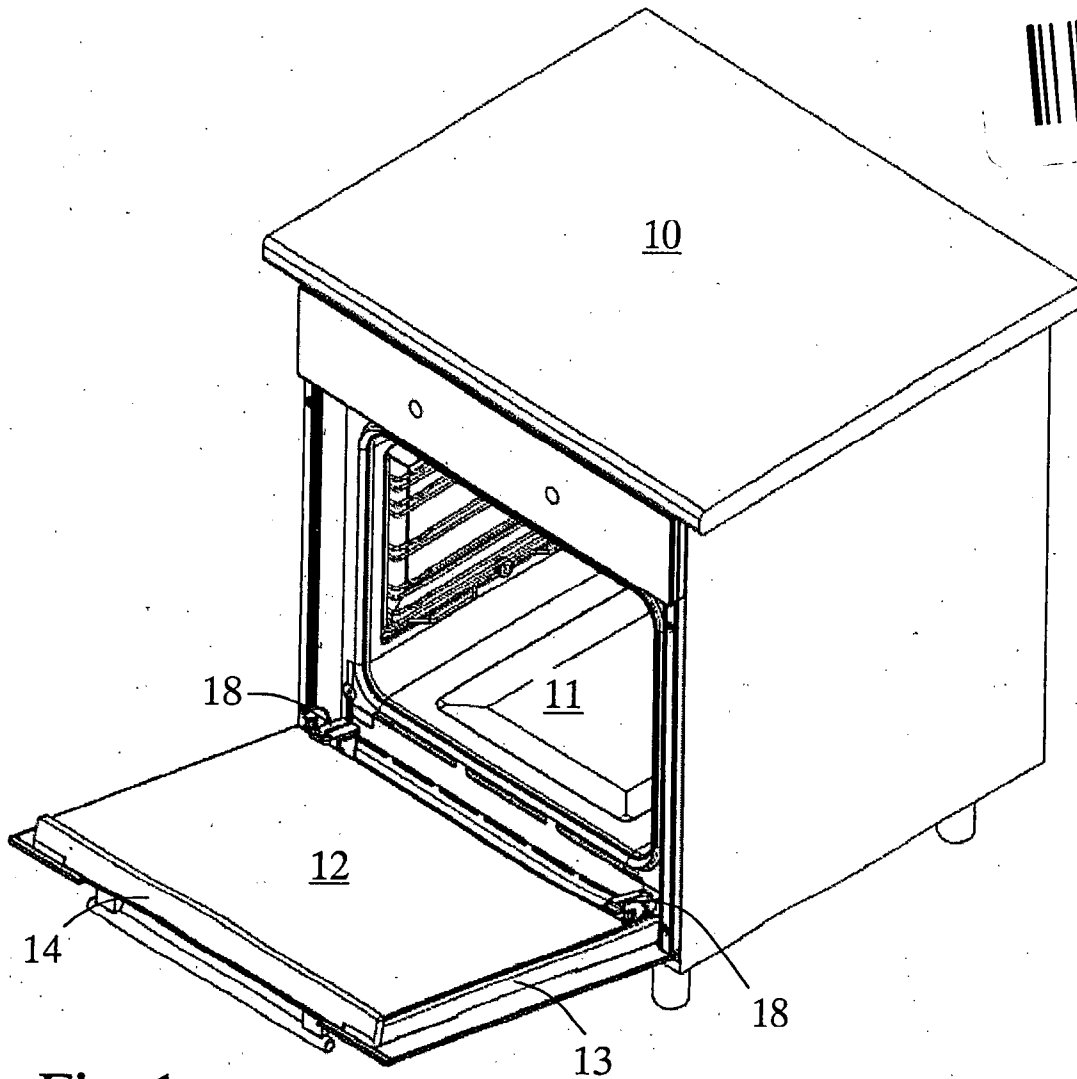


Fig. 1

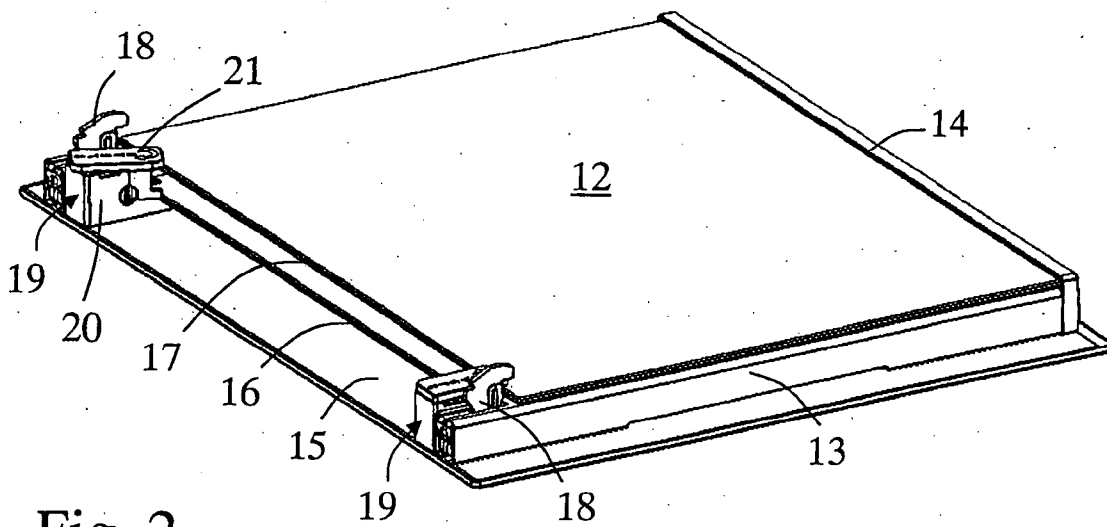
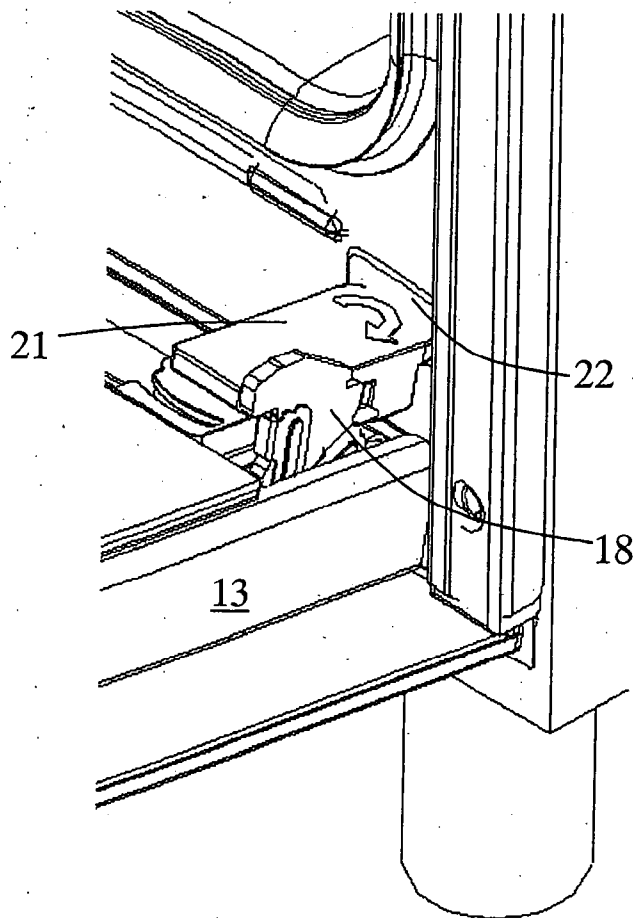
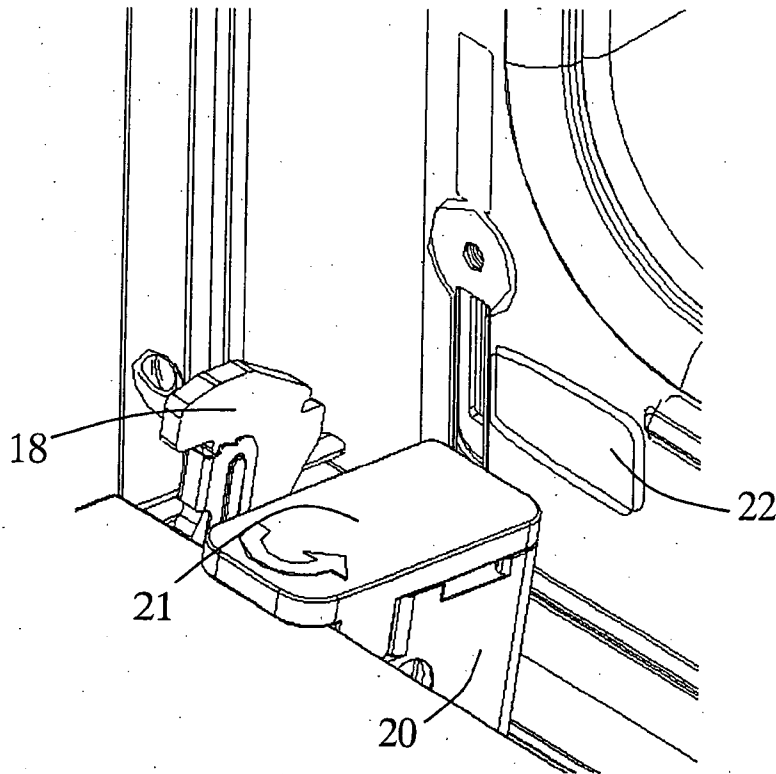


Fig. 2



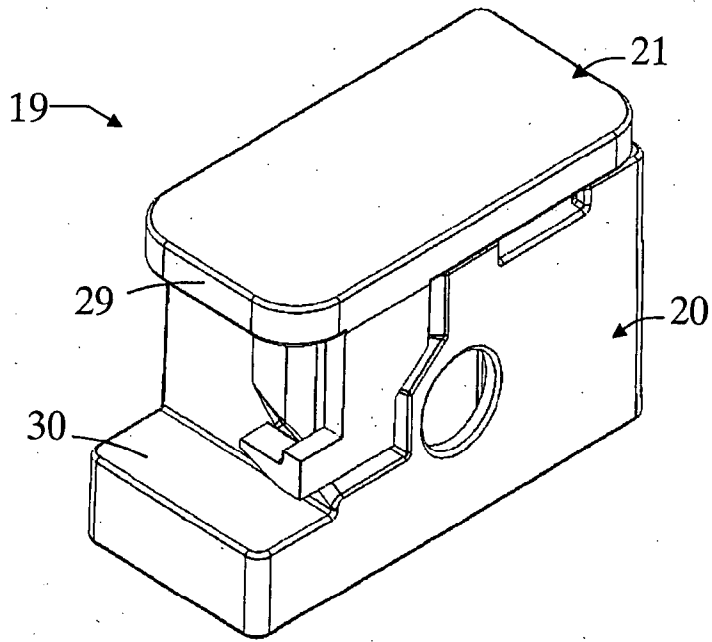


Fig. 5

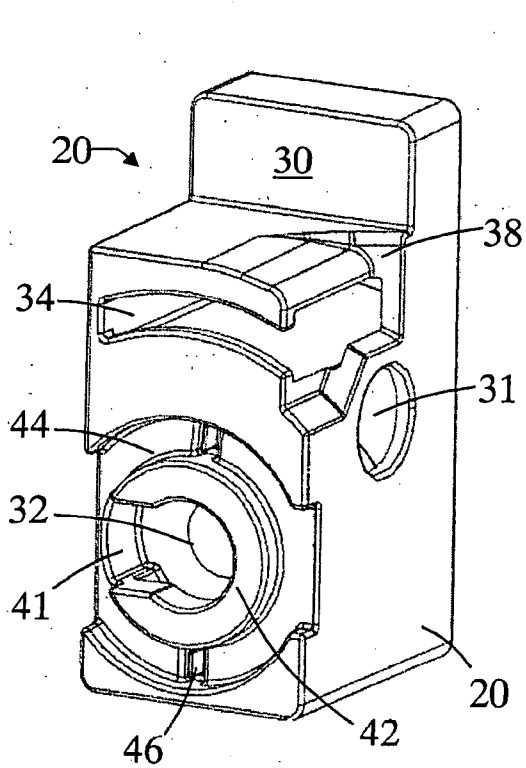


Fig. 6

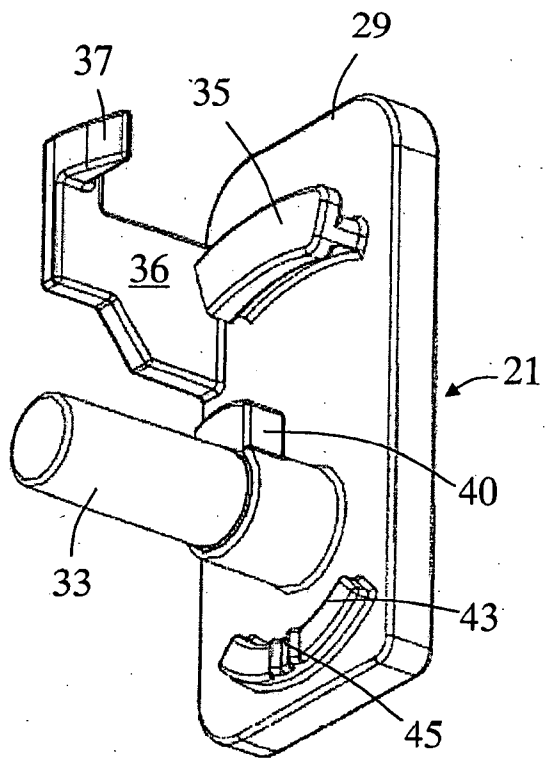


Fig. 7